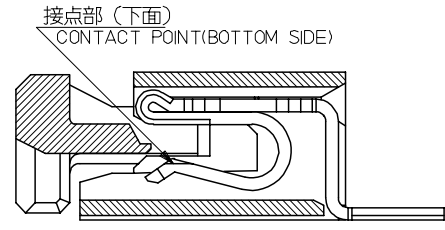
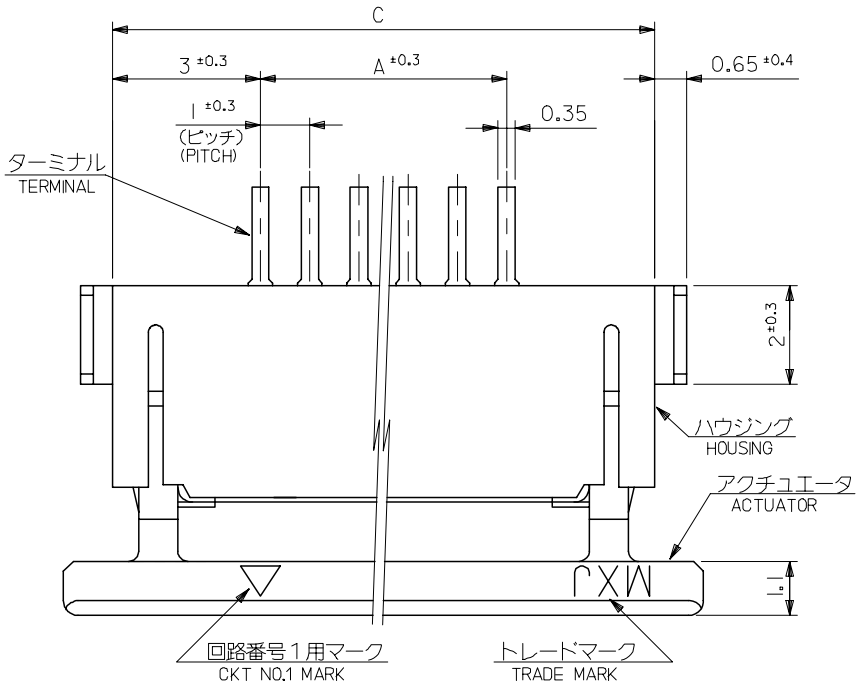
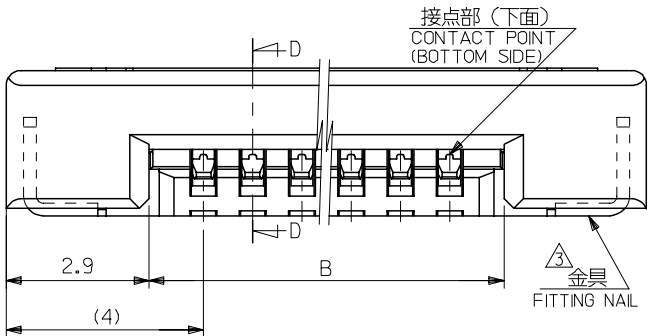
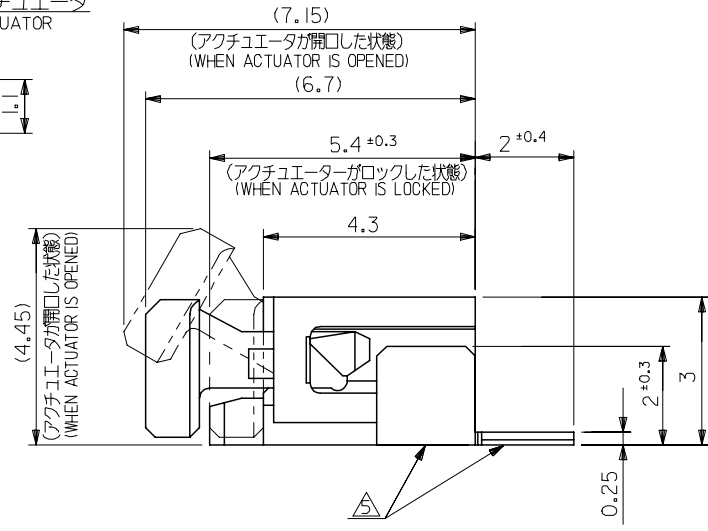


10 9 8 7 6 5 4 3 2 1

F
E
D
C
B
A



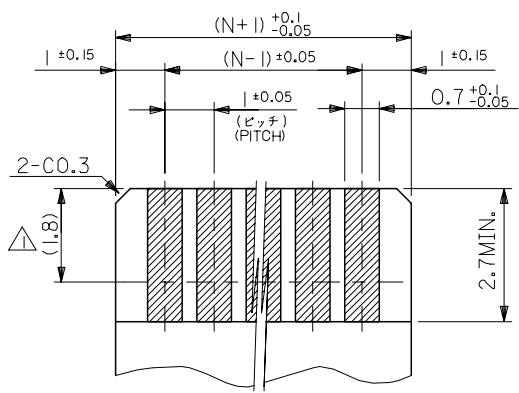
SECT. D-D



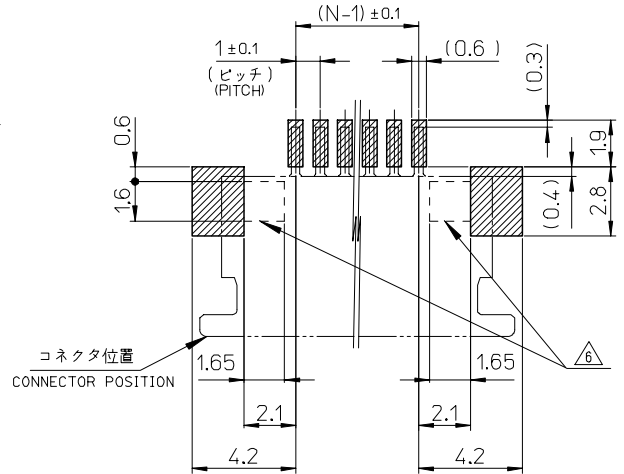
35	31.2	29	52271-3029	30
34	30.2	28	52271-2929	29
33	29.2	27	52271-2829	28
32	28.2	26	52271-2729	27
31	27.2	25	52271-2629	26
30	26.2	24	52271-2529	25
29	25.2	23	52271-2429	24
28	24.2	22	52271-2329	23
27	23.2	21	52271-2229	22
26	22.2	20	52271-2129	21
25	21.2	19	52271-2029	20
24	20.2	18	52271-1929	19
23	19.2	17	52271-1829	18
22	18.2	16	52271-1729	17
21	17.2	15	52271-1629	16
20	16.2	14	52271-1529	15
19	15.2	13	52271-1429	14
18	14.2	12	52271-1329	13
17	13.2	11	52271-1229	12
16	12.2	10	52271-1129	11
15	11.2	9	52271-1029	10
14	10.2	8	52271-0929	9
13	9.2	7	52271-0829	8
12	8.2	6	52271-0729	7
11	7.2	5	52271-0629	6
10	6.2	4	52271-0529	5
9	5.2	3	52271-0429	4
C	B	A	MATERIAL NO.	CIRCUITS

52271-**29		MODEL NO.
SCALE 10:1	DESIGN UNITS METRIC	THIRD ANGLE PROJECTION
DRAWN BY M.UMEDA DATE 2005/03/08		
CHECKED BY K.TOYODA DATE 2005/03/08		
APPROVED BY N.UKITA DATE 2005/03/08		
MATERIAL NO. SEE CHART		DOCUMENT NO. SD-52271-038
TITLE 1.0 FPC CONN ZIF SMT (BOTTOM CONTACT) -LEAD FREE-		SHEET NO. 1 OF 2
MOLEX INCORPORATED		

GENERAL TOLERANCES (UNLESS SPECIFIED)		DIMENSION STYLE MM ONLY	
10 UNDER	± 0.2	DRAWN BY M.UMEDA	DATE 2005/03/08
10 OVER 30 UNDER	± 0.25	CHECKED BY K.TOYODA	DATE 2005/03/08
30 OVER	± 0.3	APPROVED BY N.UKITA	DATE 2005/03/08
ANGULAR	$\pm 3^\circ$	MATERIAL NO.	SEE CHART
DRAFT WHERE APPLICABLE MUST REMAIN WITHIN DIMENSIONS			
SIZE A3	THIS DRAWING CONTAINS INFORMATION THAT IS PROPRIETARY TO MOLEX INCORPORATED AND SHOULD NOT BE USED WITHOUT WRITTEN PERMISSION		



(仕上り厚さ: 0.3±0.05)
(THICKNESS: 0.3±0.05)
適合FPC推奨寸法
APPLICABLE FPC
RECOMMENDED DIMENSION
(SCALE 10:1)



適合FPC推奨寸法
APPLICABLE FPC
RECOMMENDED DIMENSION
(SCALE 5:1)

注記 NOTES

- △1 接点部までの嵌合長さ。
LENGTH TO CONTACT POINT.
- 2. 使用材料 MATERIAL
ハウジング : 46 NYLON, UL94V-0
HOUSING
アクチュエータ : PPS, UL94V-0
ACTUATOR
ターミナル : リン青銅 (t=0.25)
TERMINAL PHOSPHOR BRONZE (t=0.25)
メッキ : 接点部: 金メッキ : 0.1 MICROMETER MIN.
PLATING CONTACT PORTION : GOLD PLATING : 0.1 MICROMETER MIN.
半田付部: 錫メッキ : 1.0 MICROMETER MIN.
SOLDERING PORTION : TIN PLATING : 1.0 MICROMETER MIN.
下地: ニッケルメッキ : 1.0 MICROMETER MIN.
UNDER PLATING : NICKEL PLATING : 1.0 MICROMETER MIN.
金具 : 銅合金 (t=0.25)
FITTING NAIL CUPPER ALLOY (t=0.25)
メッキ: 錫メッキ : 1.0 MICROMETER MIN.
PLATING : TIN PLATING : 1.0 MICROMETER MIN.
下地: ニッケルメッキ : 1.0 MICROMETER MIN.
UNDER PLATING : NICKEL PLATING : 1.0 MICROMETER MIN.
- △3 パターンはくり止め用金具
FITTING NAIL FOR PREVENTION OF PEELING
OF P.C.B. PATTERN.
- 4. エンボステープ梱包時は、アクチュエータがロックした状態とする。
IN THE PACKAGE, ACTUATOR OF PART NO.54550-***29 SHOULD BE LOCKED.
- △5 テール及び金具の平坦度は、0.15以下とする。
TAIL AND NAIL COPLANARITY TO BE 0.15 MAXIMUM.
- △6 パターン書き込み禁止エリア
NO FOOT PRINT AREA.

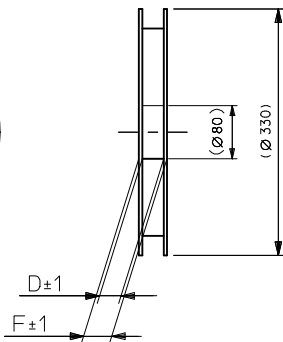
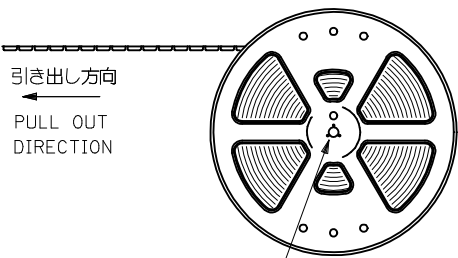
FPCについて:

打抜き方向は、導体側から補強板側を推奨致します。
補強フィルム材質は、ポリイミドを推奨致します。
接着剤は、熱硬化接着剤を推奨致します。

ABOUT FPC:

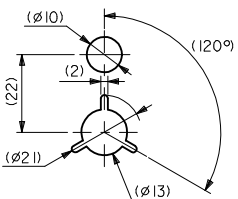
RECOMMENDED PUNCHER DIRECTION :
FROM CONDUCTOR SIDE TO STIFFENER BOARD SIDE
RECOMMENDED MATERIAL :
STIFFENER FILM : POLYIMIDE
BONDING AGENT : THERMOSETTING BONDING AGENT

REVISED EC NO: J2006-1261 DRW: NUKEDA CHK: KIKUYODA APP: NUKITA	DESCRIPTION 2005/10/19 2005/10/19 2005/10/21	GENERAL TOLERANCES (UNLESS SPECIFIED)		DIMENSION STYLE MM ONLY		52271-**29		MODEL NO.		
		10 UNDER	±0.2	DRAWN BY M.UMEDA	DATE 2005/03/08	SCALE ---	DESIGN UNITS METRIC	THIRD ANGLE PROJECTION		
		10 OVER 30 UNDER	±0.25	CHECKED BY K.TOYODA	DATE 2005/03/08	TITLE 1.0 FPC CONN ZIF SMT (BOTTOM CONTACT) -LEAD FREE-				
		30 OVER	±0.3	APPROVED BY N.UKITA	DATE 2005/03/08	MOLEX INCORPORATED				
ANGULAR ±3 °		DRAFT WHERE APPLICABLE MUST REMAIN WITHIN DIMENSIONS		MATERIAL NO. SEE SHEET 1		DOCUMENT NO. SD-52271-038		SHEET NO. 2 OF 2		
SIZE A3 THIS DRAWING CONTAINS INFORMATION THAT IS PROPRIETARY TO MOLEX INCORPORATED AND SHOULD NOT BE USED WITHOUT WRITTEN PERMISSION										

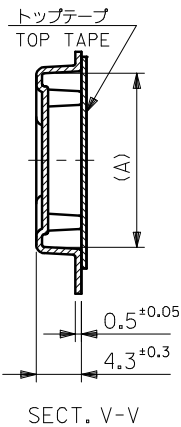


NOTES

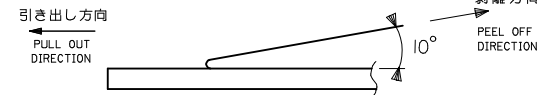
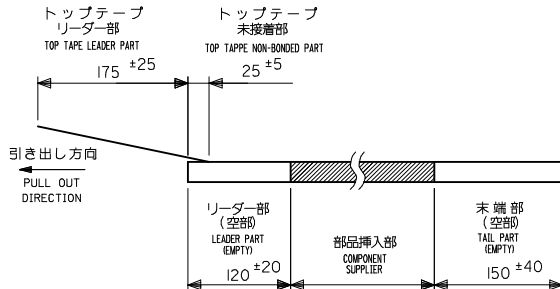
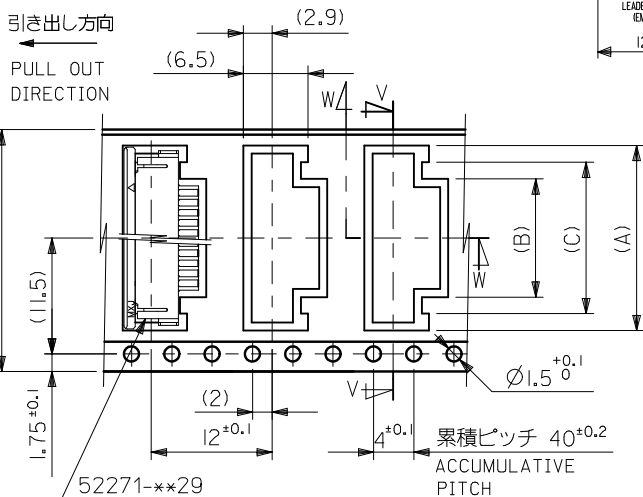
- 製品番号 52271-**29 の梱包状態はアクチュエータがロックした状態とする。詳細寸法については 図面 SD-52271-038 を参照下さい。
IN THE PACKAGE, AUTUATOR OF PART NO. 52271-**29 SHOULD BE LOCKED RE DETAILED DIMENSIONS, SEE SD-52271-038.
- 梱包数量：1000個/リール
NUMBER OF CONNECTORS：1000 PCS/REEL
- リードテープ長さ LEAD TAPE LENGTH
- トップテープの剥離強度：60gf MAX. (剥離方向は下図参照) 尚、本規格値は、出荷時に適用。(但し、輸送時に剥離が発生しない事。)
PEELING OFF FORCE OF TOP TAPE：60gf MAX. (PEELING DIRECTION AS SHOWN IN FOLLOWING FIG.) THIS REQUIREMENT SHOULD BE APPLIED AT SHIPMENT PEEL OFF SHOULD NOT BE ALLOWED, DURING TRANSPORTATION



DETAIL "E"



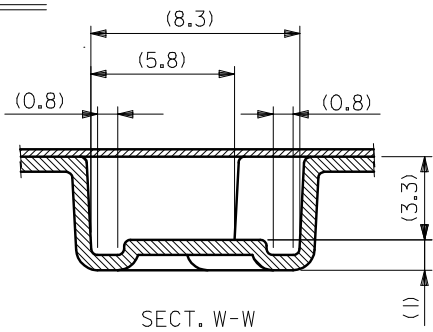
SECT. V-V



- 材料 (MATERIAL)
キャリアテープ (CARRIER TAPE)：ポリプロピレン (POLYPROPYLENE)
トップテープ (TOPTAPE)：PET, PE, PEF
リール (REEL)：ポリスチレン (PS) (リサイクル材を含む)
POLYSTYREN (PS) (RECYCLE MATERIAL CONTAINED)

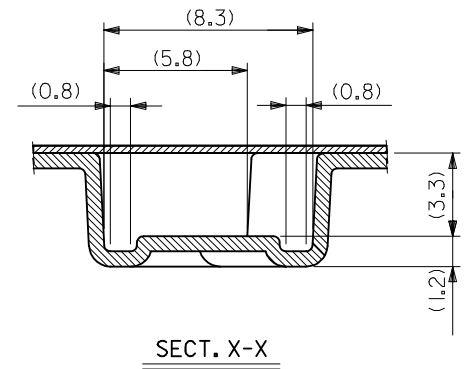
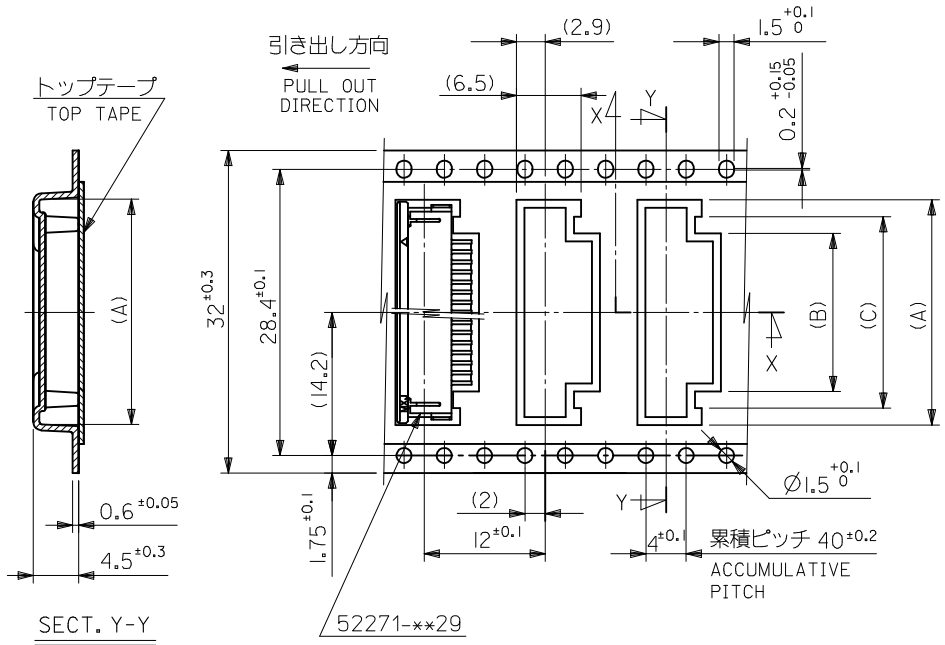
- 本製品は乾燥剤入り、ハイバリア梱包仕様である。
THIS PRODUCT IS HIGH BARRIER PACKAGE WITH DESICCANT.

24	29.4	25.4	(C)	(B)	(A)	52271-1169	11					
			(C)	(B)	(A)	52271-1069	10					
			(C)	(B)	(A)	52271-0869	8					
			(C)	(B)	(A)	52271-0769	7					
			(C)	(B)	(A)	52271-0569	5					
			(C)	(B)	(A)	52271-0469	4					
キャリアテープ幅 CARRIER TAPE WIDTH						F	D	(C)	(B)	(A)	MATERIAL NO.	極数 CKT.



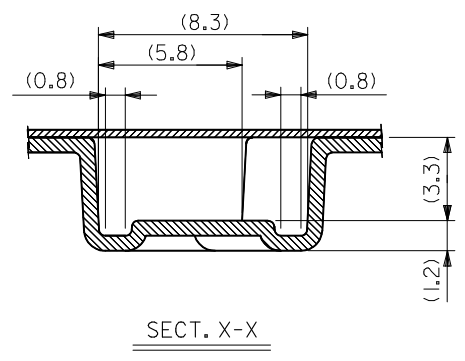
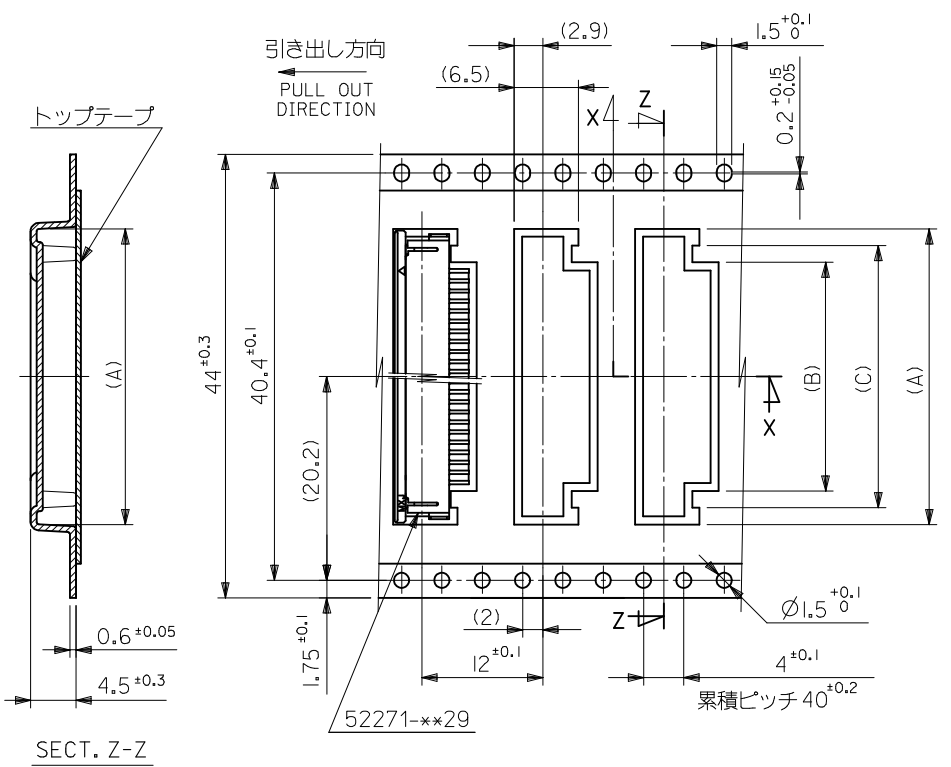
SECT. W-W

REVISED EC NO: J2009-2061 DRWN:TKON 2009/05/20 CHKD:HATSUMOTO 2009/05/21 APPR:NUKITA 2009/05/21	DESCRIPTION REV	GENERAL TOLERANCES (UNLESS SPECIFIED)		DIMENSION STYLE MM ONLY		SCALE ---		DESIGN UNITS METRIC		MODEL NO. 52271-**69		
		10 UNDER	±0.2	DRAWN BY M.UMEDA		DATE 2005/03/08		TITLE EMBOSSED TAPE PACKAGE FOR 52271-**29 -LEAD FREE-				
		10 OVER 30 UNDER	±0.25	CHECKED BY K.TOYODA		DATE 2005/03/08		MOLEX INCORPORATED DOCUMENT NO. SD-52271-039 SHEET NO. 1 OF 4				
		30 OVER	±0.3	APPROVED BY N.UKITA		DATE 2005/03/08						
ANGULAR ±3 °		DRAFT WHERE APPLICABLE MUST REMAIN WITHIN DIMENSIONS		MATERIAL NO. SEE TABLE		THIS DRAWING CONTAINS INFORMATION THAT IS PROPRIETARY TO MOLEX INCORPORATED AND SHOULD NOT BE USED WITHOUT WRITTEN PERMISSION						



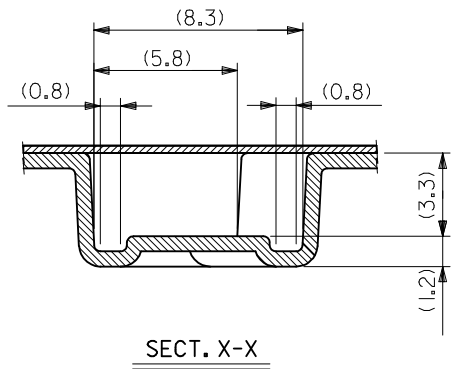
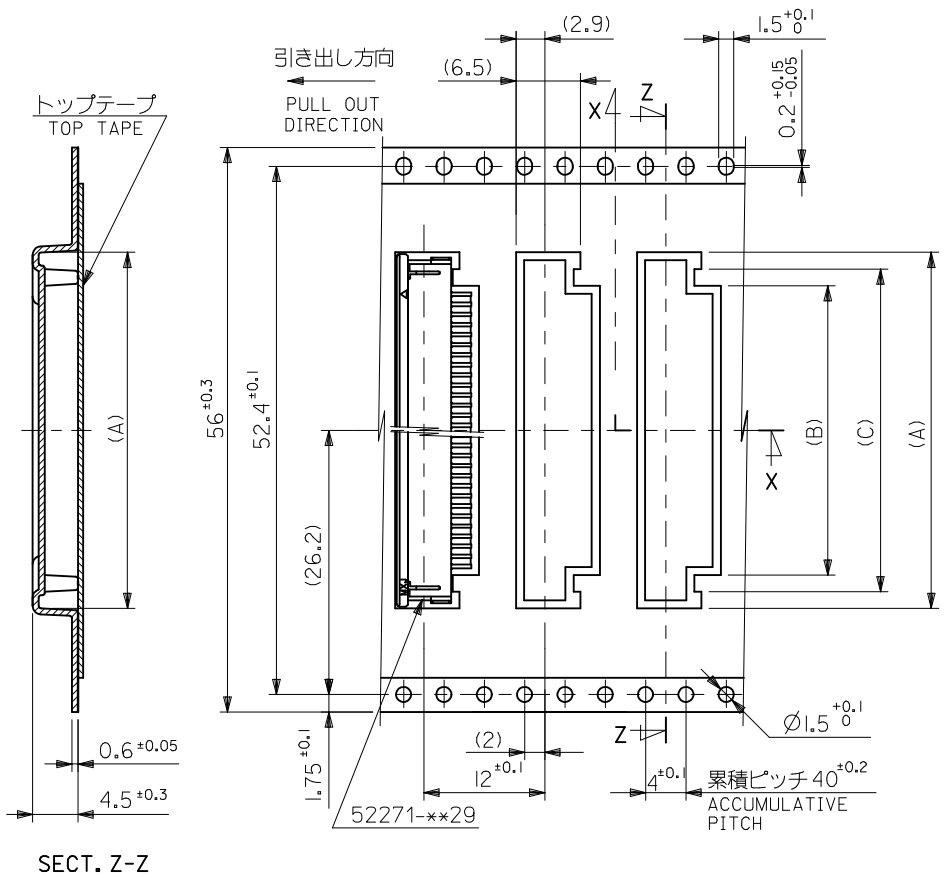
32	37.4	33.4	20	16.4	23.35	52271-1669	16		
			19	15.4	22.35	52271-1569	15		
			18	14.4	21.35	52271-1469	14		
			17	13.4	20.35	52271-1369	13		
			16	12.4	19.35	52271-1269	12		
キャリアテープ幅 CARRIER TAPE WIDTH			F	D	(C)	(B)	(A)	MATERIAL NO.	種数 CKT.

REVISED	EC NO.: J2009-2061	2009/05/20	GENERAL TOLERANCES (UNLESS SPECIFIED)		DIMENSION STYLE MM ONLY		SCALE ---	DESIGN UNITS METRIC	THIRD ANGLE PROJECTION
	DRWN:TKON	2009/05/21	10 UNDER	±0.2	DRAWN BY	DATE	TITLE		
	CHKD:HMATSUMOTO	2009/05/21	10 OVER 30 UNDER	±0.25	M.UMEDA	2005/03/08	EMBOSSED TAPE PACKAGE FOR 52271-**-29 -LEAD FREE-		
	APPR:NUKITA	2009/05/21	30 OVER	±0.3	K.TOYODA	2005/03/08	MOLEX INCORPORATED		
	REV	DESCRIPTION	ANGULAR	±3 °	N. NUKITA	2005/03/08	MATERIAL NO.	DOCUMENT NO.	SHEET NO.
			DRAFT WHERE APPLICABLE MUST REMAIN WITHIN DIMENSIONS		SEE TABLE		SD-52271-039		2 OF 4
					SIZE A3		THIS DRAWING CONTAINS INFORMATION THAT IS PROPRIETARY TO MOLEX INCORPORATED AND SHOULD NOT BE USED WITHOUT WRITTEN PERMISSION		



44	49.4	45.4	31	27.4	34.35	52271-2769	27		
			29	25.4	32.35	52271-2569	25		
			28	24.4	31.35	52271-2469	24		
			26	22.4	29.35	52271-2269	22		
			25	21.4	28.35	52271-2169	21		
			24	20.4	27.35	52271-2069	20		
			23	19.4	26.35	52271-1969	19		
			22	18.4	25.35	52271-1869	18		
			21	17.4	24.35	52271-1769	17		
キャリアテープ幅			F	D	(C)	(B)	(A)	MATERIAL NO.	極数

REVISED EC NO: J2009-2061 DRWN:TKON 2009/05/20 CHKD:HMATSUMOTO 2009/05/21 APPR:NUKITA 2009/05/21	GENERAL TOLERANCES (UNLESS SPECIFIED)		DIMENSION STYLE MM ONLY		SCALE ---	DESIGN UNITS METRIC	THIRD ANGLE PROJECTION	
	10 UNDER	±0.2	DRAWN BY M.UMEDA	DATE 2005/03/08	TITLE EMBOSSED TAPE PACKAGE FOR 52271-**29 -LEAD FREE-			
	10 OVER 30 UNDER	±0.25	CHECKED BY K.TOYODA	DATE 2005/03/08	MOLEX INCORPORATED			
	30 OVER	±0.3	APPROVED BY N.UKITA	DATE 2005/03/08	DOCUMENT NO. SD-52271-039			
	ANGULAR ±3 ° DRAFT WHERE APPLICABLE MUST REMAIN WITHIN DIMENSIONS		MATERIAL NO. SEE TABLE		SHEET NO. 3 OF 4			



SECT. Z-Z

SECT. X-X

56	61.4	57.4	34	30.4	37.35	52271-3069	30
			32	28.4	35.35	52271-2869	28
キャリアテープ幅 CARRIER TAPE WIDTH			F	D	(C)	(B)	(A)
						MATERIAL NO.	極数 CKT.

REVISED EC NO.: J2009-2061 DRWN:TKON 2009/05/20 CHKD:HMATSUMOTO 2009/05/21 APPR:NUKITA 2009/05/21	GENERAL TOLERANCES (UNLESS SPECIFIED)		DIMENSION STYLE MM ONLY		SCALE ---	DESIGN UNITS METRIC	THIRD ANGLE PROJECTION
	10 UNDER	±0.2	DRAWN BY M.UMEDA	DATE 2005/03/08	TITLE EMBOSSD TAPE PACKAGE FOR 52271-**29 -LEAD FREE-		
	10 OVER 30 UNDER	±0.25	CHECKED BY K.TOYODA	DATE 2005/03/08	MOLEX INCORPORATED		
	30 OVER	±0.3	APPROVED BY N.UKITA	DATE 2005/03/08	DOCUMENT NO. SD-52271-039		
	ANGULAR ±3 °		MATERIAL NO. SEE TABLE		SHEET NO. 4 OF 4		
DRAFT WHERE APPLICABLE MUST REMAIN WITHIN DIMENSIONS		THIS DRAWING CONTAINS INFORMATION THAT IS PROPRIETARY TO MOLEX INCORPORATED AND SHOULD NOT BE USED WITHOUT WRITTEN PERMISSION					