

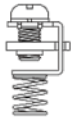
TOYOGI

NEW

ATXseries

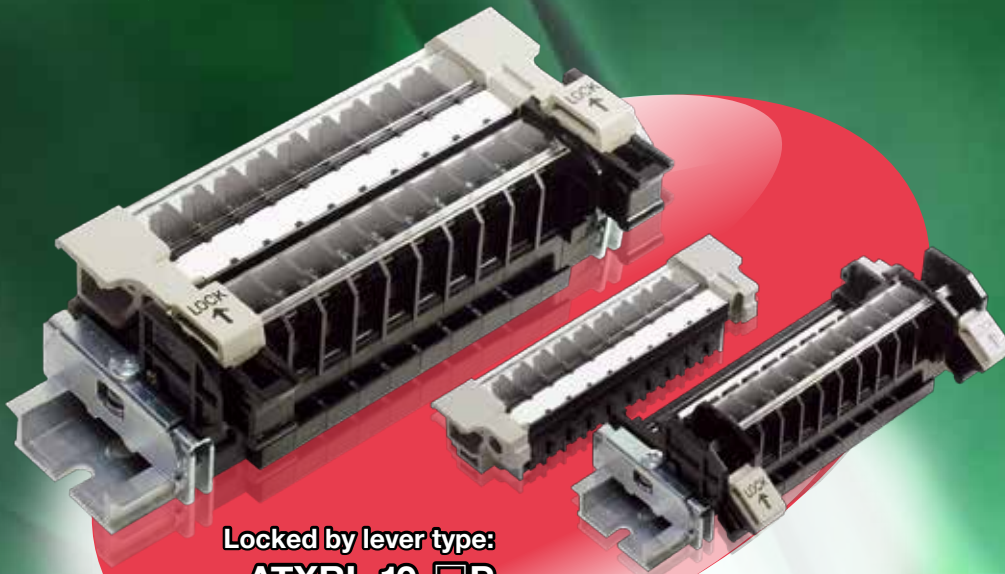
M3.5 / 2mm², 16A

RoHS PAT.P.



UP-SCREW TYPE

Detachable terminal block



Locked by lever type:
ATXRL-10-□P

※Supply method:
Assembly terminal blocks only.

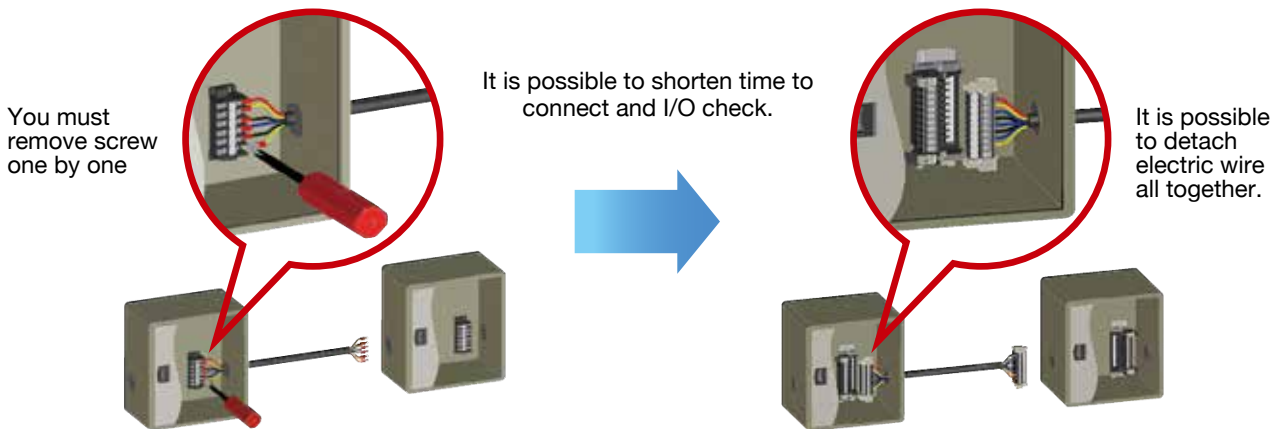


Locked by screw type:
ATXSL-10-□P

※Supply method:
Assembly terminal blocks only.

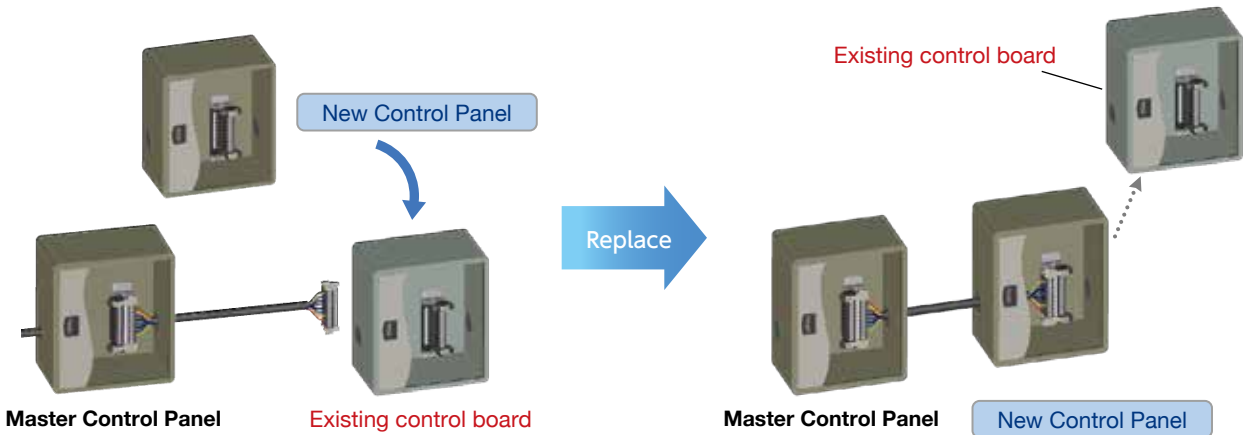
TOYOGIKEN CO.,LTD.

Between panel and panel connection

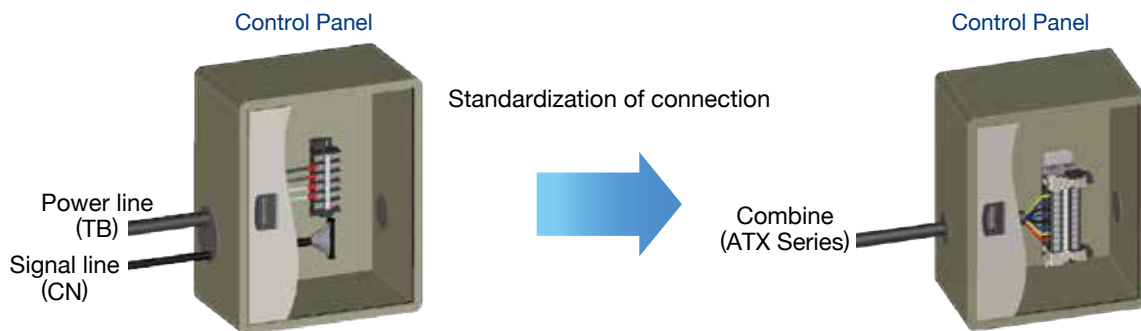


Replace

If ATX series is used when replacing, the stop time of the production line can be shortened.

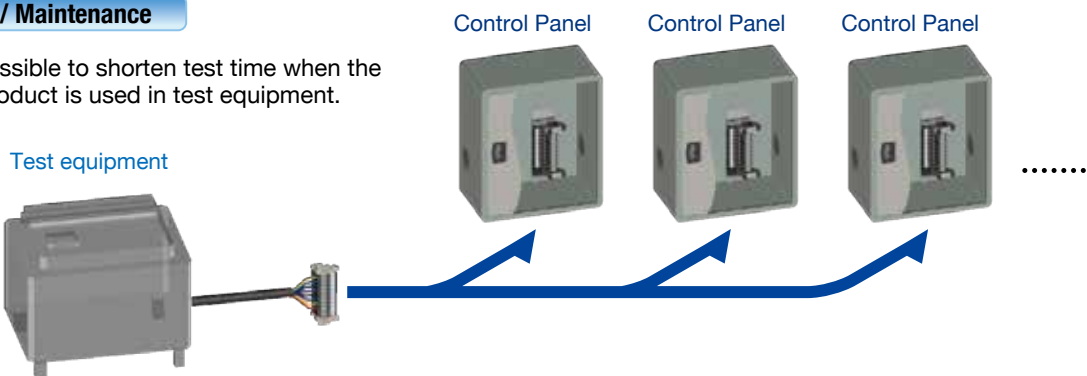


Standardization

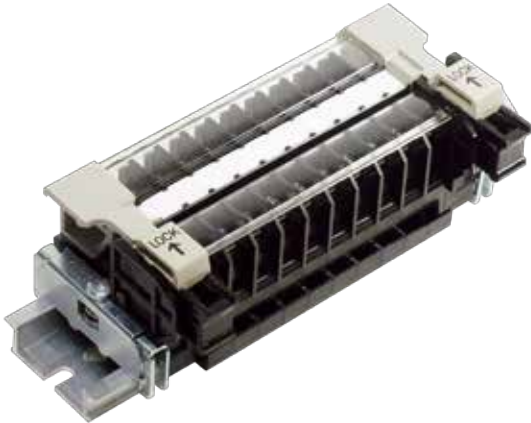


Check / Test / Maintenance

It is possible to shorten test time when the product is used in test equipment.



Locked by lever type:
ATXRL-10-□P



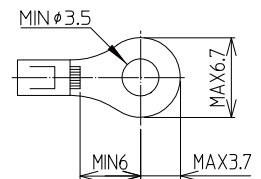
Locked by screw type:
ATXSL-10-□P



Rating and Specification

Rated voltage	600 V
Applicable wire / Rated current	2mm ² / 16A
Terminal screw	M3.5 x 6.7L
Tightening torque	1.4N·m
Withstand voltage	2500 V / 1 min
Insulation resistance	200 MΩ or more (DC500 V mega)
Operating ambient temperature	-25°C ~ +60°C (no freezing or condensation)
Relative humidity	45 ~ 85 %
Contact resistance	5 MΩ or less
Durability	200 times
Applicable standard	JIS C 8201-7-1 (NECA C 2811)

■ Applicable solderless terminal



Material

Items	ATXRL-10-□P	ATXSL-10-□P	
Body insulator	modified PPE (Black)		
Contact (under)	Cooper alloy (Ni plate)		
Conductive plate (upper)	Cooper alloy (Sn plate)		
Terminal screw	Steel (zinc trivalent chromate-plating)		
Coil spring	Hard steel wire (zinc trivalent chromate-plating)		
Terminal plate	Steel (zinc trivalent chromate-plating)		
Locked by screw type end plate	upper side (A) ...PBT (Gray), under side (B) ...modified PPE (Black)	upper side (A) ...modified PPE (Gray)	under side (B) ...modified PPE (Black)
Lock	modified PPE (Gray)	Flat nut	Steel (zinc trivalent chromate-plating)
Lever	modified PPE (Black)	Fixation screw (for mount upper on under)	modified PPE (Gray)
-		Spring	Steel (zinc trivalent chromate-plating)
Cover	PC (Clear)		
Name plate	PVC (White)		

Locked by lever type:

Order format:

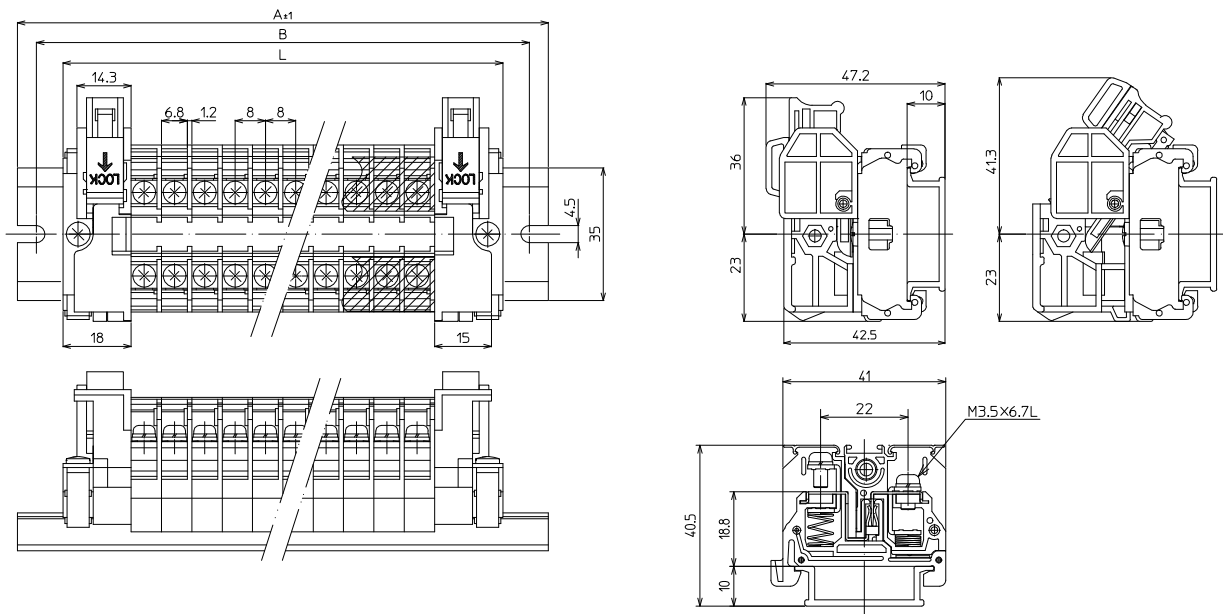
ATXRL-10-□P

□: No. of poles (P)
 (□=2~20)



※Supply method: Assembly terminal blocks only.

The following parts are assembled at the factory and shipped.
 (Terminal blocks, End plates, Cover, Name plate, Din rail, Stoppers)



Total length of terminal block (L) = Terminal width (8mm) × No. of poles (P) + End plates / stoppers (36mm)

Dimensions (mm)																					
No. of poles (P)		2	3	4	5	6	7	8	9	10	11	12	13	14	15	16	17	18	19	20	
Total length of terminal block (L)		52	60	68	76	84	92	100	108	116	124	132	140	148	156	164	172	180	188	196	
Total length of DIN rail (A)		80	80	100	100	100	120	120	140	140	140	160	160	180	180	180	200	200	220	220	
Mounting hole pitch (B)		70	70	90	90	90	110	110	130	130	130	150	150	170	170	170	190	190	210	210	
Mass of assembled terminal block (g)		100	111	127	138	150	165	177	192	203	215	230	242	257	268	280	295	307	322	334	

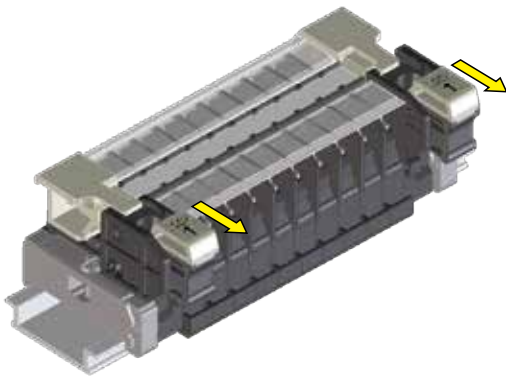
ATXRL-10-□P Component								
Terminal block	End plate set	Cover	Name plate	Rail	Stopper	Prevent misinsert plate	Spacer	Option
ATX-10 [10.9g]	ATX-10L1R (A) (B) [15.6g] ATX-10L2R (A) (B) [8.9g]	CB-5	M-1LE	DAV4	GTY-13 [18.0g]	ATX-10-CP1 (Option)	ATX-10-SP	SB (R) 8A-※ □B (R) 8A-※

FEATURES

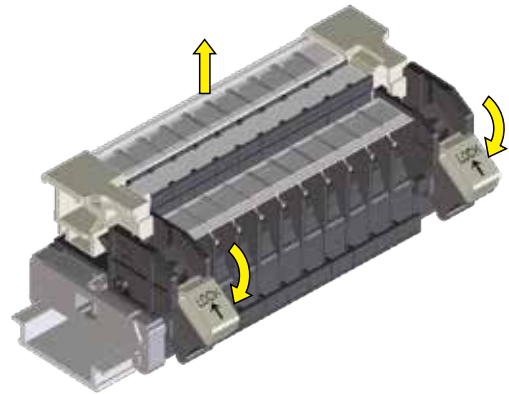
It's easy to detach the product even in narrow place.

More information is available at TOGI homepage

How to detach by using lever

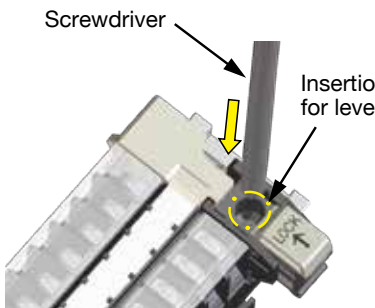


① Release the lock.

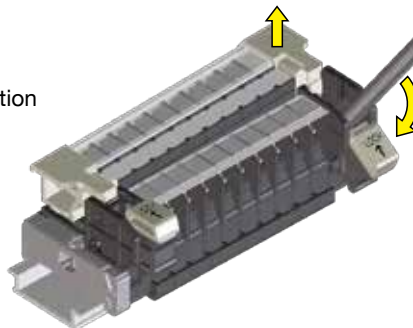


② Down the lever, detach the upper terminal block.

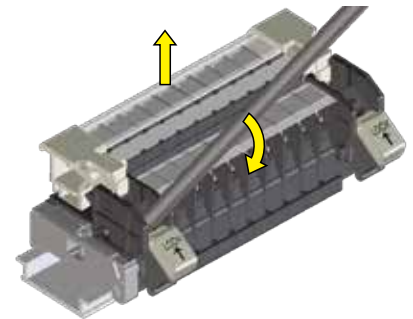
How to operate the lever by using screw driver



① When you released the lock, it appeared insertion hole for lever. Then insert screwdriver to the hole.

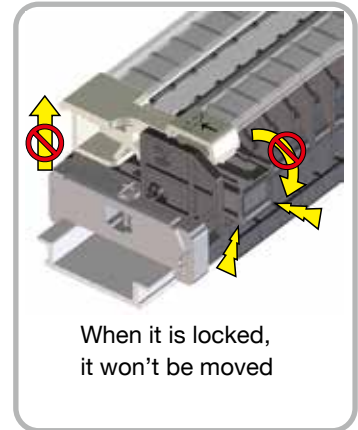
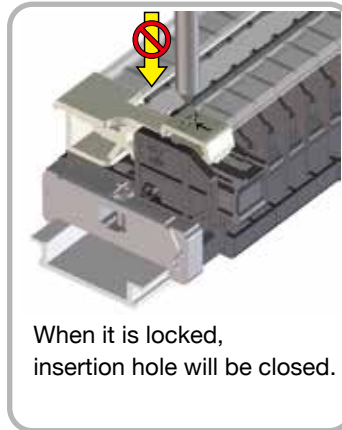
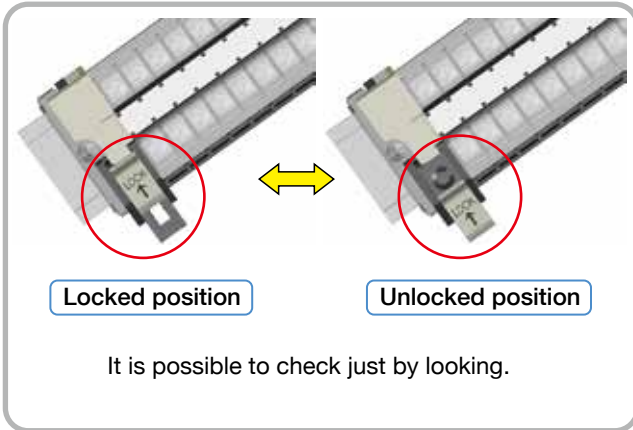


② Down the screwdriver, push up the upper terminal block.

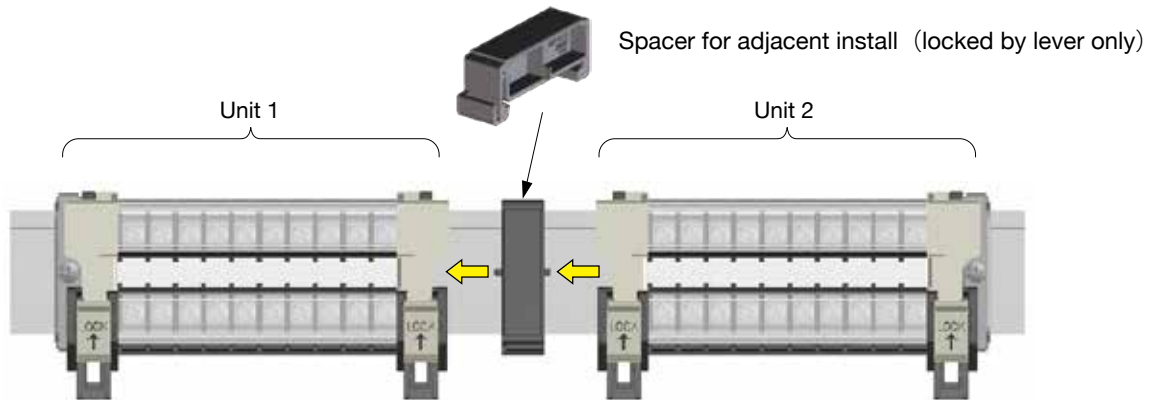


③ Operate the lever same as ②. Detach the upper terminal.

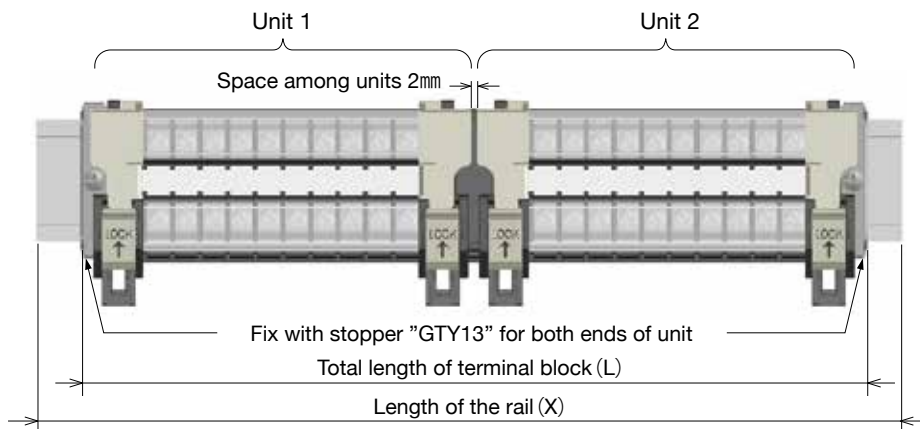
SLIDE LOCK STRUCTURE



It is possible to successively attach on the same rail as follow.



When installing side by side on the rail, Spacer is used between the units to prevent mutual interference.



Length of total terminal block (L) = [Terminal width (8mm) × No. of poles (P)] + [32mm × No. of units] + 4mm

※ 1unit = 2P~20P

※ Please fix the rail with over triple site, if (X) is over 500 mm .

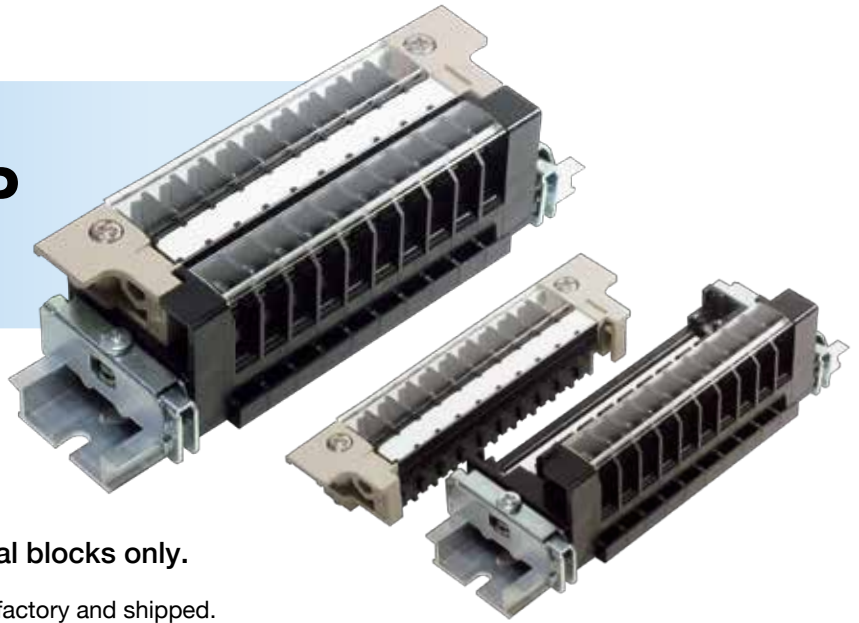
ATX series

Locked by Screw type:

Order format:

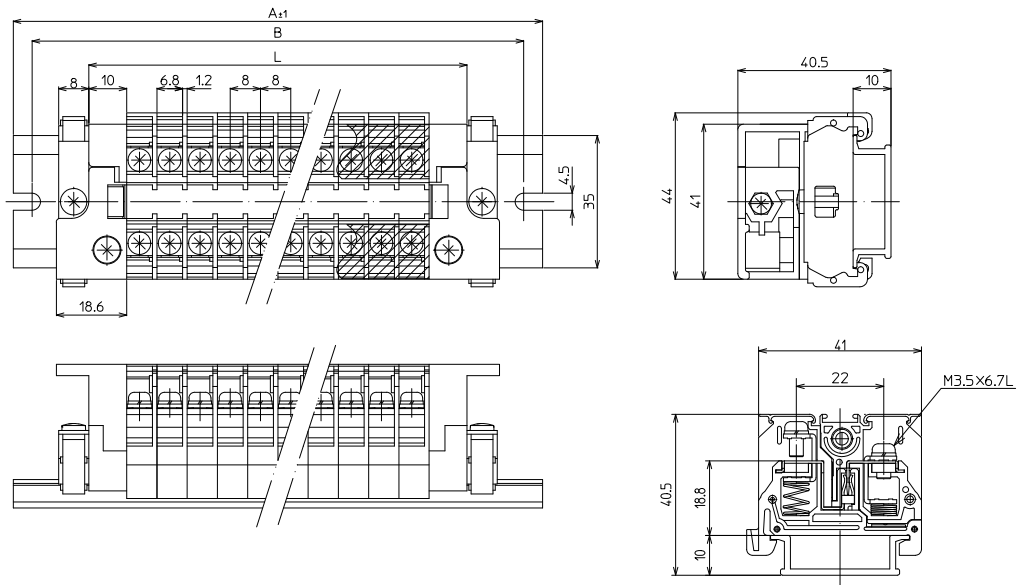
ATXSL-10-□P

□: No. of poles (P)
 (□=2~20)



※Supply method: Assembly terminal blocks only.

The following parts are assembled at the factory and shipped.
 (Terminal blocks, End plates, Cover, Name plate, Din rail, Stoppers)



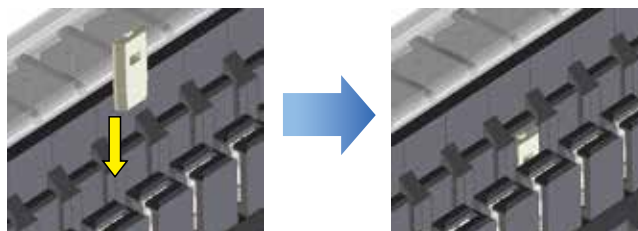
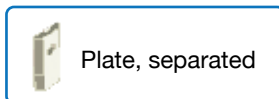
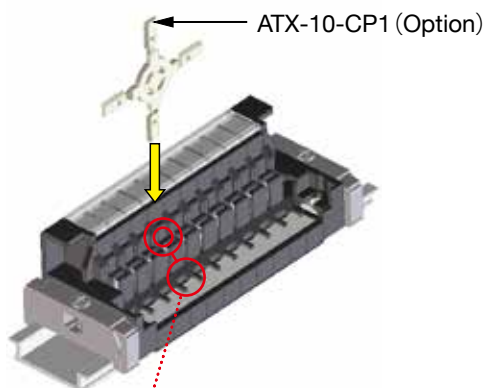
Total length of terminal block (L) = Terminal width (8mm) × No. of poles (P) + End plates / stoppers (20mm)

Dimensions (mm)		2	3	4	5	6	7	8	9	10	11	12	13	14	15	16	17	18	19	20
No. of poles (P)		2	3	4	5	6	7	8	9	10	11	12	13	14	15	16	17	18	19	20
Total length of terminal block (L)		36	44	52	60	68	76	84	92	100	108	116	124	132	140	148	156	164	172	180
Total length of DIN rail (A)		80	80	100	100	100	120	120	140	140	140	160	160	180	180	180	200	200	220	220
Mounting hole pitch (B)		70	70	90	90	90	110	110	130	130	130	150	150	170	170	170	190	190	210	210
Mass of assembled terminal block (g)		96	108	123	135	146	162	173	188	200	211	227	238	253	265	276	292	303	319	330

ATXSL-10-□P Component		Cover	Name plate	Rail	Stopper	Prevent misinsert plate	Spacer	Option
Terminal block	End plate set	CB-5	M-1LE	DAV4	GTY-13 [18.0g]	ATX-10-CP1 (Option)	ATX-10-SP	SB (R) 8A-※ □B (R) 8A-※
ATX-10 [10.9g]	ATX-10L1 (A) (B) [9.5g] ATX-10L2 (A) (B) [11.5g]							

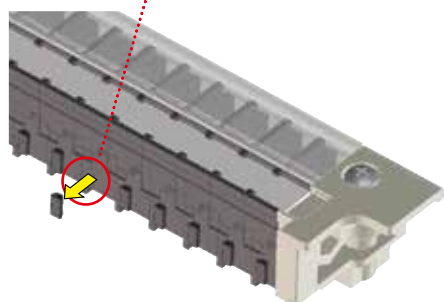
Plate for prevention of incorrect insertion

① Insert a plate for the prevention of incorrect insertion in the under terminal blocks.

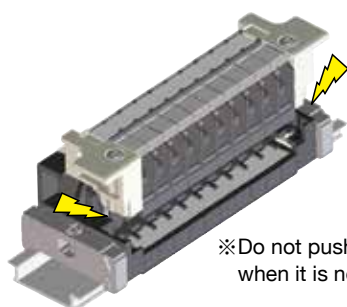


② Cut the boss of the pairing upper terminal blocks with nippers.

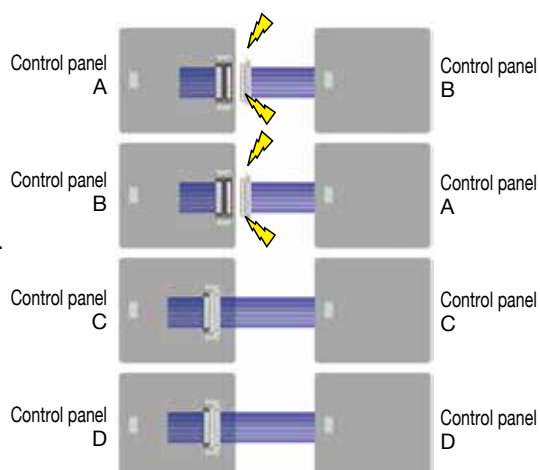
Please insert the plate deeply.



③ When it is not a right pair, the terminal block cannot be connected.



※ Do not push the upper terminal block strongly when it is not a pair. Breakage may occur.



Operating precautions

- ※ Don't attach / detach terminals when applying current.
- ※ Locked by screw type... Make sure to tighten up a fixation screw after assembling upper and under terminal block.
- ※ Locked by lever type... Please slide the lever to fixed position to remain lock after assembling upper and under terminal block.

Distributor

TOGI TOYOGIKEN CO.,LTD.

4-8-7 Gongencho, Osachi, Okaya-shi,
Nagano-ken Japan 394-0081

<http://www.togi.co.jp>
E-mail: info@togi.co.jp