

5

4

3

2

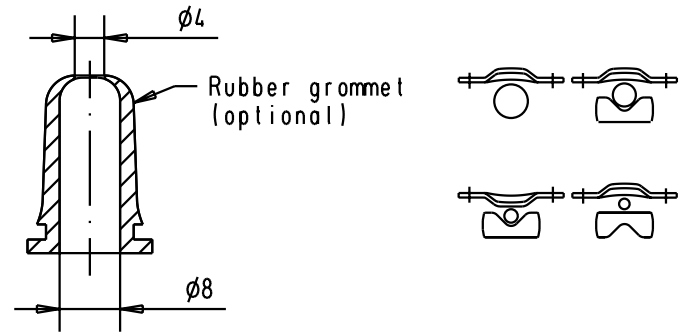
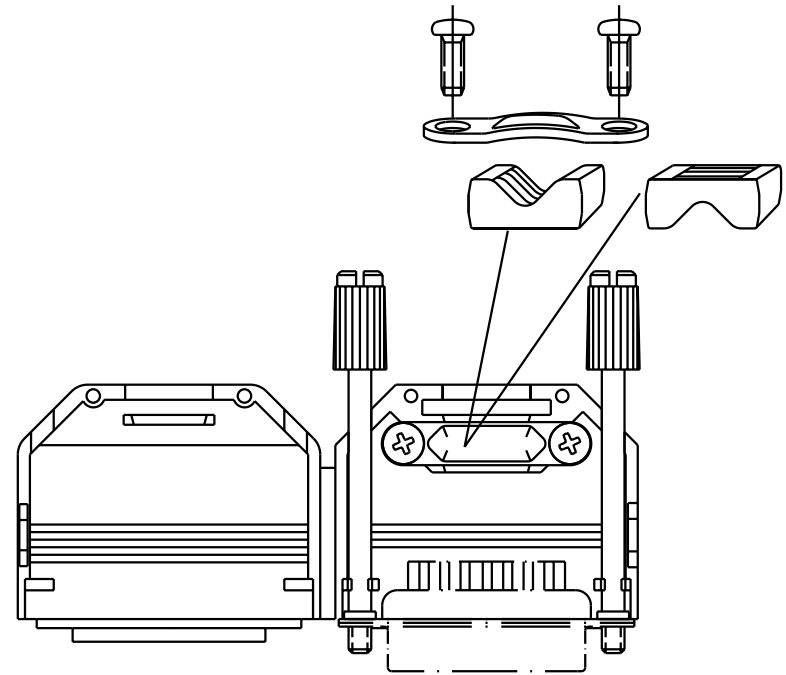
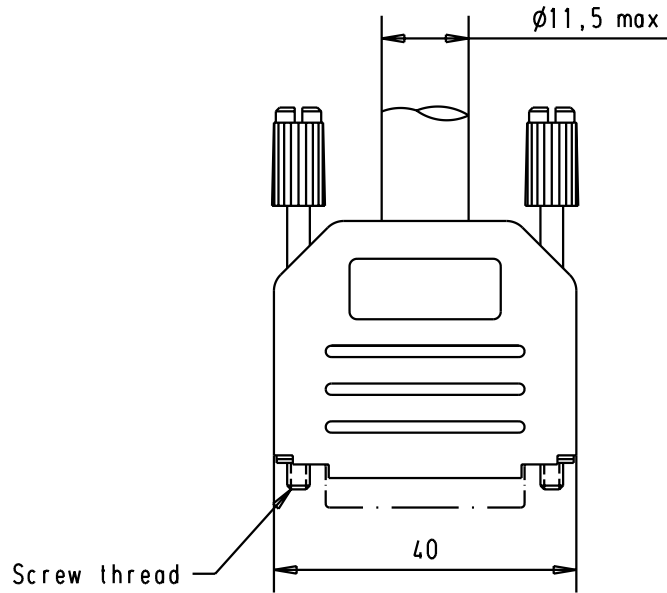
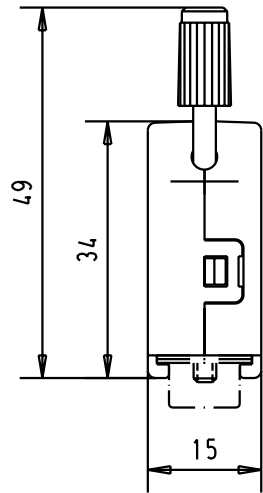
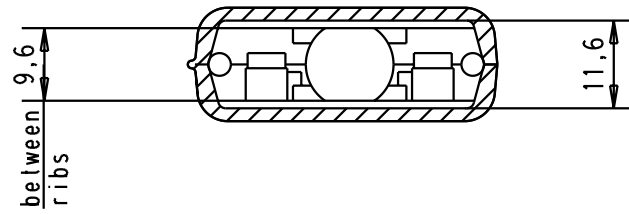
1

D

C

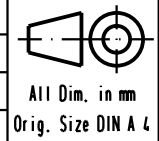
B

A



09 67 015 0426	M3	31085	4-SEP-02	CV		
09 67 015 0424	4-40 UNC	29760	28-MAR-02	CV		
Part number	Screw thread	Mod.	Dat.	Name		

	Dat.	Name
Detail.	28-MAR-02	CV
Insp.		
Stand.		
HARTING EURL F-95972 Paris		



D-Sub, Top entry hood with knurled screws 15 poles Thermoplastic black	Maßstab/ Scale 1:1
TB 0967015042x Sub.	Blatt/ Page 1