

Illuminated pushbutton, 22 mm, round, plastic, white, pushbutton, flat, momentary contact type, with holder, 1 NO, LED module with integrated LED 230 V AC, Spring-type terminal



|  |  |
|--|--|
| <b>Product brand name</b>  | SIRIUS ACT   |
| <b>Product designation</b>   | Illuminated pushbuttons  |
| <b>Design of the product</b>   | Complete unit  |
| <b>Product type designation</b>  | 3SU1   |
| <b>Manufacturer's article number</b>   |  |
| <ul style="list-style-type: none"> <li>• 1 of supplied contact module</li> <li>• of supplied LED module</li> <li>• of the supplied holder</li> <li>• of the supplied actuator</li> </ul> | <a href="#">3SU1400-1AA10-3BA0</a><br><a href="#">3SU1401-1BF60-3AA0</a><br><a href="#">3SU1500-0AA10-0AA0</a><br><a href="#">3SU1001-0AB60-0AA0</a> |
| <b>Number of command points</b>  | 1  |

| Actuator   |                        |
|--|------------------------|
| <b>Design of the operating mechanism</b>                                     | Button, flat           |
| <b>Manner of function of the actuating element</b>                           | momentary contact type |
| <b>Product extension optional Light source</b>                               | Yes                    |
| <b>Color</b>   |                        |
| <ul style="list-style-type: none"> <li>• of the actuating element</li> </ul> | white                  |
| <b>Material of the actuating element</b>                                     | plastic                |
| <b>Shape of the actuating element</b>  | round                  |
| <b>Outer diameter of the actuating element</b>                               | 29.45 mm               |

|   |  |
|---|--|
| Number of contact modules                               | 1  |
| <b>Front ring</b>                                       |  |
| Product component front ring                            | Yes  |
| Design of the front ring                                | Standard   |
| Material of the front ring                              | plastic  |
| Color of the front ring                                 | black  |
| <b>Holder</b>   |  |
| Material of the holder                                  | Plastic  |
| <b>Display</b>  |  |
| Number of LED modules                                   | 1  |
| <b>General technical data</b>                           |  |
| <b>Product function</b>                                 |  |
| • positive opening                                      | No   |
| <b>Product component</b>                                |  |
| • Light source  | Yes  |
| <b>Insulation voltage</b>                               |  |
| • rated value   | 320 V  |
| <b>Degree of pollution</b>                              | 3  |
| <b>Type of voltage</b>                                  |  |
| • of the operating voltage                              | AC/DC  |
| <b>Surge voltage resistance rated value</b>             | 4 kV   |
| <b>Protection class IP</b>                              | IP66, IP67, IP69(IP69K)                              |
| • of the terminal                                       | IP20   |
| <b>Degree of protection NEMA rating</b>                 | NEMA 1, 2, 3, 3R, 4, 4X, 12, 13                      |
| <b>Shock resistance</b>                                 |  |
| • acc. to IEC 60068-2-27                                | Sinusoidal half-wave 50 g / 11 ms                    |
| • for railway applications acc. to DIN EN 61373         | Category 1, Class B                                  |
| <b>Operating frequency maximum</b>                      | 3 600 1/h  |
| <b>Mechanical service life (switching cycles)</b>       |  |
| • typical   | 3 000 000  |
| <b>Electrical endurance (switching cycles)</b>          |  |
| • typical   | 10 000 000   |
| <b>Thermal current</b>                                  | 10 A   |
| <b>Reference code acc. to DIN EN 81346-2</b>            | S  |
| <b>Reference code acc. to DIN EN 61346-2</b>            | S  |
| <b>Continuous current of the C characteristic MCB</b>   | 10 A; for a short-circuit current smaller than 400 A |
| <b>Continuous current of the quick DIAZED fuse link</b> | 10 A   |
| <b>Continuous current of the DIAZED fuse link gG</b>    | 10 A   |
| <b>Operating voltage</b>                                |  |
| • at AC   |  |
| — at 50 Hz rated value                                  | 5 ... 500 V  |

|                        |             |
|------------------------|-------------|
| — at 60 Hz rated value | 5 ... 500 V |
| • at DC                |             |
| — rated value          | 5 ... 500 V |

### Power Electronics

|                            |  |
|----------------------------|--|
| <b>Contact reliability</b> | One maloperation per 100 million (17 V, 5 mA), one maloperation per 10 million (5 V, 1 mA) |
|----------------------------|--|

### Supply voltage

|   |       |
|---|-------|
| <b>Type of voltage of the supply voltage</b>    |       |
| • of the light source                           | AC    |
| <b>Supply voltage of the light source at AC</b> |       |
| • at 50 Hz rated value                          | 230 V |
| • at 60 Hz rated value                          | 230 V |

### Control circuit/ Control

|   |     |
|---|-----|
| <b>Inrush current of LED module maximum</b> | 3 A |
|---|-----|

### Auxiliary circuit

|   |              |
|---|--------------|
| <b>Design of the contact of auxiliary contacts</b>  | Silver alloy |
| <b>Number of NC contacts for auxiliary contacts</b> | 0            |
| <b>Number of NO contacts for auxiliary contacts</b> | 1            |
| <b>Number of CO contacts</b>                        |              |
| • for auxiliary contacts                            | 0            |

### Connections/Terminals

|   |                                     |
|---|-------------------------------------|
| <b>Type of electrical connection</b>                  |                                     |
| • of modules and accessories                          | Spring-type terminal                |
| <b>Type of connectable conductor cross-sections</b>   |                                     |
| • solid without core end processing                   | 2x (0.25 ... 1.5 mm <sup>2</sup> )  |
| • finely stranded with core end processing            | 2x (0.25 ... 0.75 mm <sup>2</sup> ) |
| • finely stranded without core end processing         | 2x (0.25 ... 1.5 mm <sup>2</sup> )  |
| • at AWG conductors                                   | 2x (24 ... 16)                      |
| <b>Tightening torque of the screws in the bracket</b> | 1 ... 1.2 N·m                       |

### Lamp

|                                  |                   |
|----------------------------------|-------------------|
| <b>Type of light source</b>      | LED               |
| <b>Color of the light source</b> | white             |
| <b>Light intensity</b>           | 900 ... 1 400 mcd |

### Ambient conditions

|   |   |
|---|---|
| <b>Ambient temperature</b>                                |   |
| • during operation  | -25 ... +70 °C  |
| • during storage  | -40 ... +80 °C  |
| Environmental category during operation acc. to IEC 60721 | 3M6, 3S2, 3B2, 3K6 (with relative air humidity of 10 ... 95 %, no condensation in operation permitted for all devices behind front panel) |

## Installation/ mounting/ dimensions

|  |                      |
|--|----------------------|
| <b>Mounting type</b>                               | front mounting       |
| • of modules and accessories                       | Front plate mounting |
| <b>Height</b>                                      | 40 mm                |
| <b>Width</b>                                       | 30 mm                |
| <b>Shape of the installation opening</b>           | round                |
| <b>Mounting diameter</b>                           | 22.3 mm              |
| <b>Positive tolerance of installation diameter</b> | 0.4 mm               |
| <b>Mounting height</b>                             | 11 mm                |
| <b>Installation width</b>                          | 29.5 mm              |
| <b>Installation depth</b>                          | 49.7 mm              |

## Certificates/approvals

### General Product Approval

### Declaration of Conformity



CCC



CSA



UL



EG-Konf.

[Miscellaneous](#)

### Test Certificates

### Marine / Shipping

[Special Test Certificate](#)

[Type Test Certificates/Test Report](#)



ABS



LRS



PRS



RINA

### Marine / Shipping

### other

[Confirmation](#)



RMRS



DNVGL.COM/AF

## Further information

### Information- and Downloadcenter (Catalogs, Brochures,...)

<http://www.siemens.com/industrial-controls/catalogs>

### Industry Mall (Online ordering system)

<https://mall.industry.siemens.com/mall/en/en/Catalog/product?mlfb=3SU1106-0AB60-3BA0>

### Cax online generator

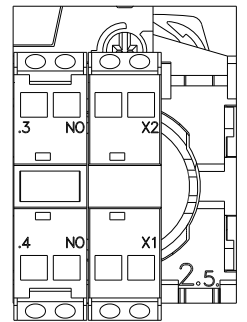
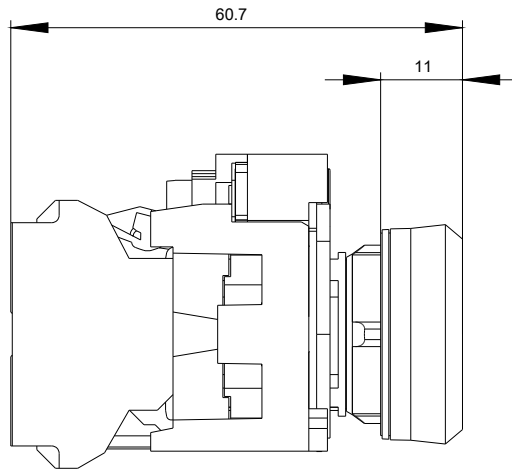
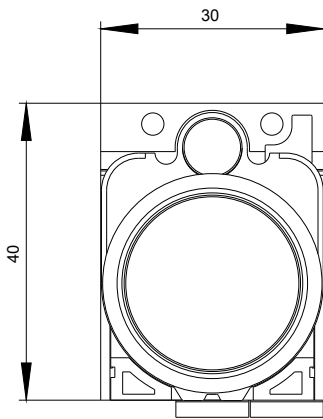
<http://support.automation.siemens.com/WW/CAXorder/default.aspx?lang=en&mlfb=3SU1106-0AB60-3BA0>

### Service&Support (Manuals, Certificates, Characteristics, FAQs,...)

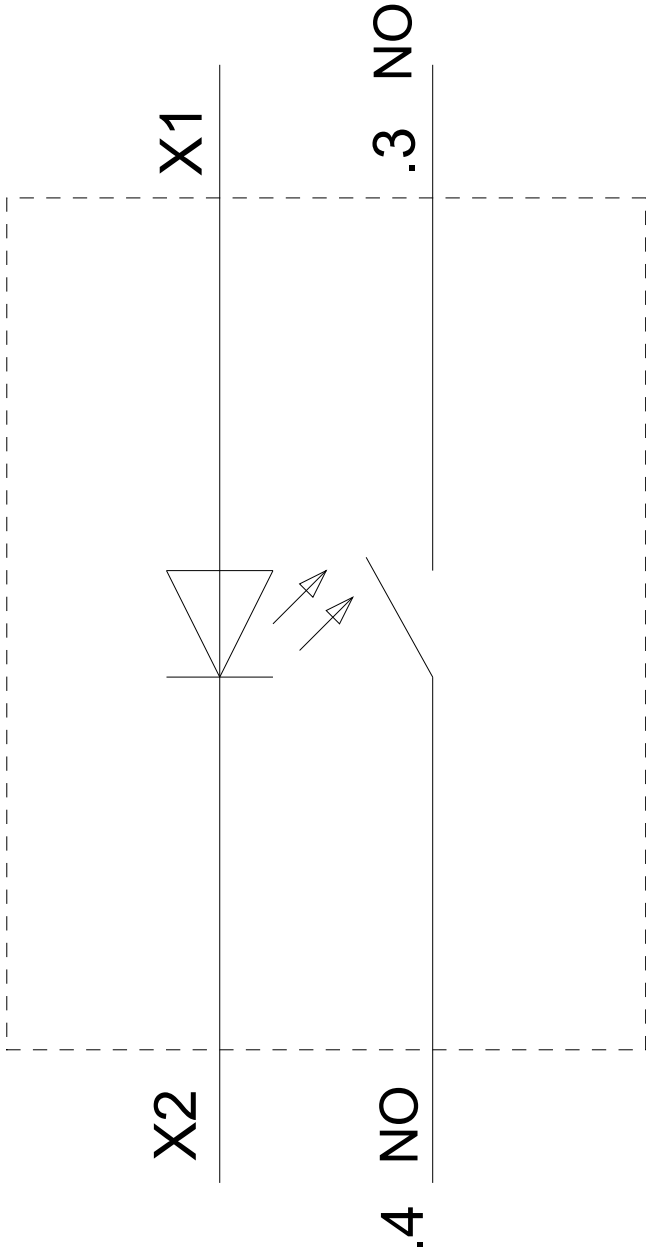
<https://support.industry.siemens.com/cs/ww/en/ps/3SU1106-0AB60-3BA0>

### Image database (product images, 2D dimension drawings, 3D models, device circuit diagrams, EPLAN macros, ...)

[http://www.automation.siemens.com/bilddb/cax\\_de.aspx?mlfb=3SU1106-0AB60-3BA0&lang=en](http://www.automation.siemens.com/bilddb/cax_de.aspx?mlfb=3SU1106-0AB60-3BA0&lang=en)



230 V AC  
-P



last modified:

09/12/2019