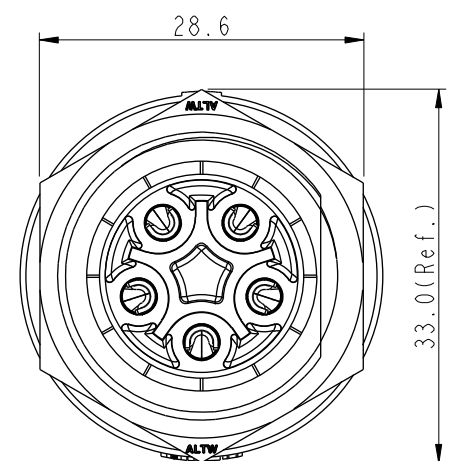
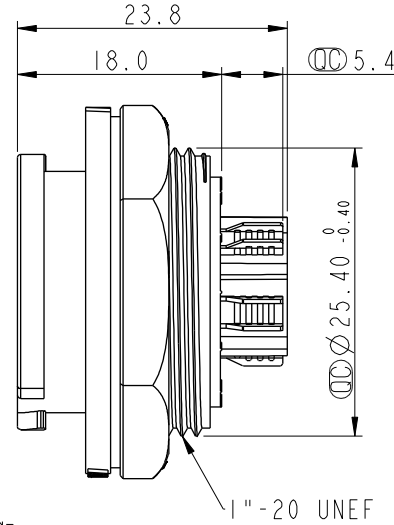
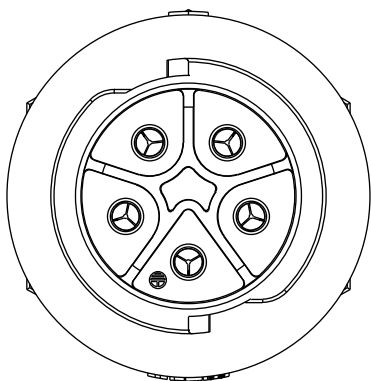


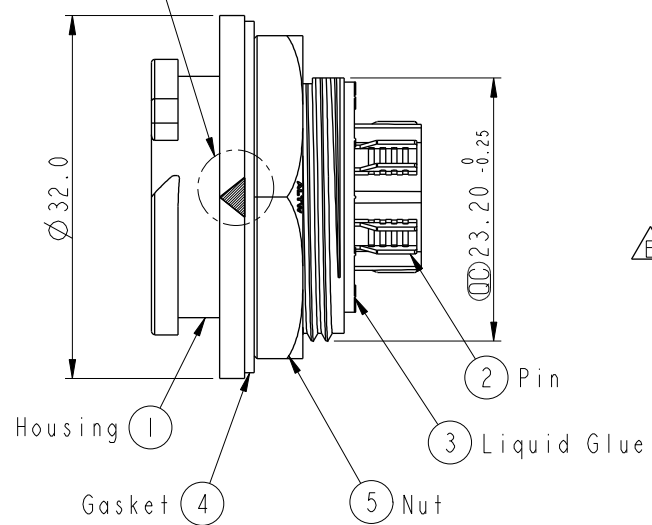
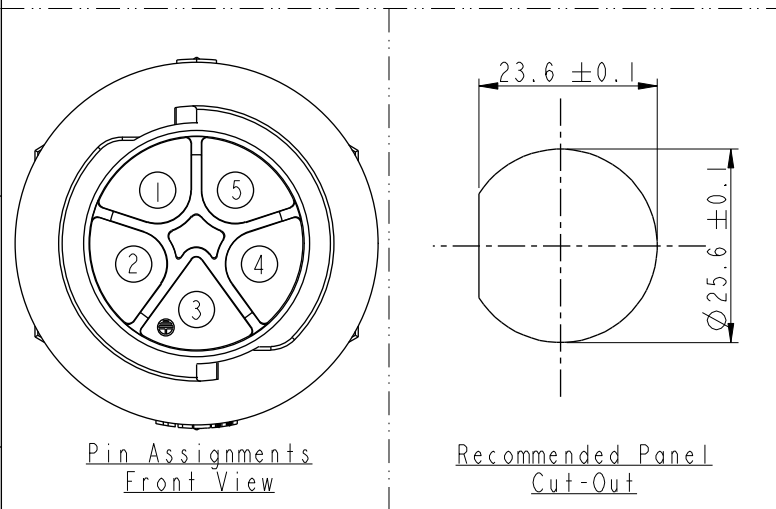
THIS DOCUMENT IS SUBJECT TO CHANGE WITHOUT NOTICE. IT IS CONFIDENTIAL AND A PROPERTY OF Amphenol LTW. DISCLOSURE TO THIRD PARTY HAS TO BE AUTHORIZED BY Amphenol LTW.

ALTW
CONFIDENTIAL
2019-03-12
R&D DEPT.

REV.	ECN NO.	DATE	SIGN	DESCRIPTION
A	Initial Release	2016/05/19	Wes	Change Rev.01 To Rev.A
B	CI90403	2019/03/12	Vicky	Change Note



QC White Printing



- Note:**
- * QC Important Dimension To Check.
 - * Waterproof Rate: IP68, Unmated.
 - * In 1 meters water within 24hours.
 - * Housing: Thermoplastic, Black.
 - * Pin: Copper Alloy, Gold Plated.
 - * Nut: Thermoplastic, Black.
 - * Gasket: Rubber, Gray.
 - * Panel Thickness Max: 3.6mm
 - * Gasket and Nut are packed separately in PE bags.

UNIT:mm	
TOLERANCE	
.X	±0.25
.XX	±0.1
.XXX	±0.05
ANGLES	±1°

TITLE X-Lok D Size 20A(For Power) Receptacle Rear 5P M Conn M Pin			
SCALE 3:2	SIZE A4	SHEET 1 OF 1	
REV. B	WC-REV. A.3	QC: Inspection item	

Amphenol LTW
安費諾亮泰企業股份有限公司

ITEM NO DC-05RMMS-QC800P	DRAWN BY Vicky	DATE 2019-03-12
DWG NO DC-05RMMS-QC800P	CHECKED BY Rita	DATE 2019-03-12
CUSTOMER ALTW	APPROVED BY Max	DATE 2019-03-12