

Product datasheet

Specifications



standard digital output kit STB - 24 V DC - 2 O

Local distributor code:
393519127

STBDDO3230K

EAN Code: 3595863989304

Main

Range of product	Modicon STB distributed I/O solution
Product or component type	Standard digital output kit
Kit composition	STBXBA1000 base STBXTS2100, 6-terminal spring clamp connector STBXTS1100, 6-terminal screw type connector STBDDO3230 module
Product compatibility	Power distribution module STBPDT3100/3105 I/O base STBXBA1000
Range compatibility	Logic/motion controller - Modicon M262 Modicon M580 Third party
Device application	Industrial application
Discrete output number	2
Discrete output logic	Positive logic (source)/negative logic (sink)
Discrete output voltage	24 V DC for solid state

Complementary

Output voltage	19.2...30 V DC
Absolute maximum voltage	56 V 1.3 ms
Discrete output number	2 solid state at 24 V DC
Discrete output current	2000 mA
Response time on output	520 µs off to on 720 µs on to off
Maximum leakage current	1 mA 30 V DC at state 0
Power supply type	Power distribution module
Typical current consumption	45 mA at 5 V DC
Electrical connection	Screw terminal
Isolation between channels	1500 V
Isolation between channels and bus	1500 V for 1 minute
Fallback status	State 0 basic NIMs User configurable standard NIMs
Surge current	10 A 0.5 ms
Minimum load	2 mA
Reset	Manual or automatic reset COM fault
Overvoltage category	II

Local signalling	1 LED (green) for module status (RDY) 1 LED per channel (green) for channel status (OUT1 to OUT2) 1 LED (red) for module error (ERR)
Height	13.9 mm
Width	128.3 mm
Depth	70 mm
Net weight	0.116 kg

Environment

IP degree of protection	IP20
Marking	CE
Product certifications	FM Class 1 Division 2 CSA UL
Standards	EN/IEC 61131-2
Ambient air temperature for operation	0...60 °C (without derating)
Ambient air temperature for storage	-40...85 °C without derating
Relative humidity	95 % at 60 °C without condensation
Operating altitude	<= 2000 m
Pollution degree	2
Vibration resistance	3 gn (f = 58...150 Hz) on 35 x 7.5 mm symmetrical DIN rail 5 gn (f = 58...150 Hz) on 35 x 15 mm symmetrical DIN rail +/-0.35 mm (f = 10...58 Hz)
Shock resistance	30 gn for 11 ms conforming to IEC 88 reference 2-27

Packing Units

Unit Type of Package 1	PCE
Number of Units in Package 1	1
Package 1 Height	2.500 cm
Package 1 Width	8.000 cm
Package 1 Length	13.000 cm
Package 1 Weight	136.000 g
Unit Type of Package 2	S02
Number of Units in Package 2	28
Package 2 Height	15.000 cm
Package 2 Width	30.000 cm
Package 2 Length	40.000 cm
Package 2 Weight	4.123 kg

Logistical informations

Country of origin	FR
--------------------------	----

Contractual warranty

Warranty (in months)	18
-----------------------------	----



Environmental Data

Schneider Electric aims to achieve Net Zero status by 2050 through supply chain partnerships, lower impact materials, and circularity via our ongoing “Use Better, Use Longer, Use Again” campaign to extend product lifetimes and recyclability.

[Environmental Data explained >](#)

[How we assess product sustainability >](#)

Use Better



Materials and Substances

Packaging made with recycled cardboard

No

Packaging without single use plastic

No

SCIP Number

6830dd70-e4bc-47df-85c7-e41f888576f4

Use Longer



Lifetime extension

Repair

No

Use Again



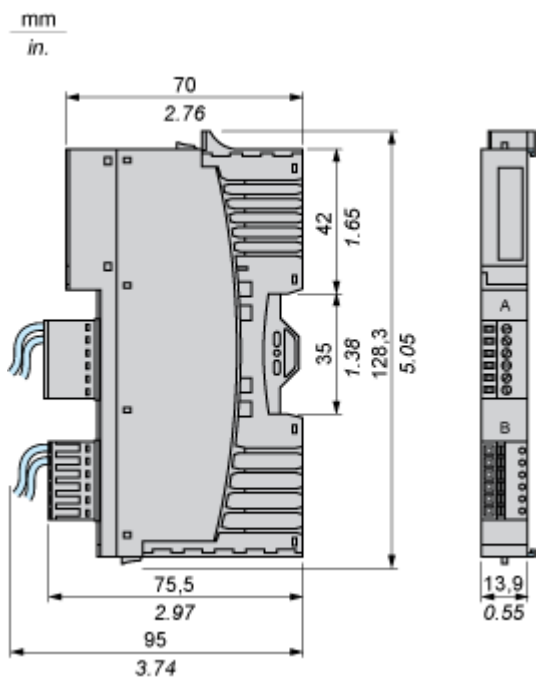
Repack and remanufacture

Take-back

No

Dimensions Drawings

Dimensions

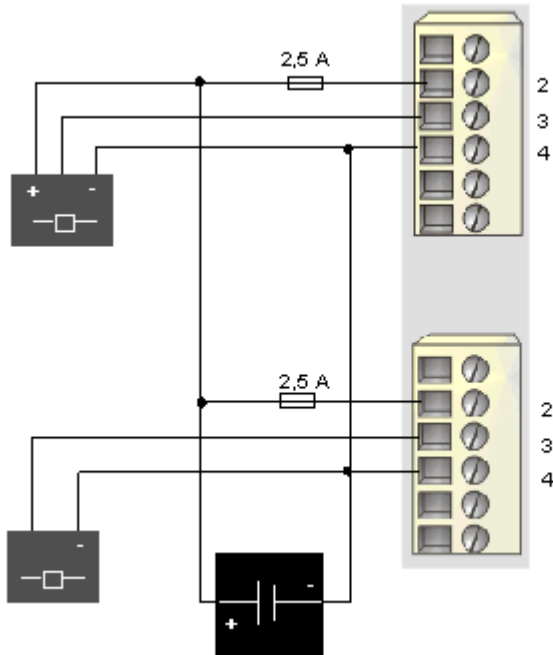


Connections and Schema

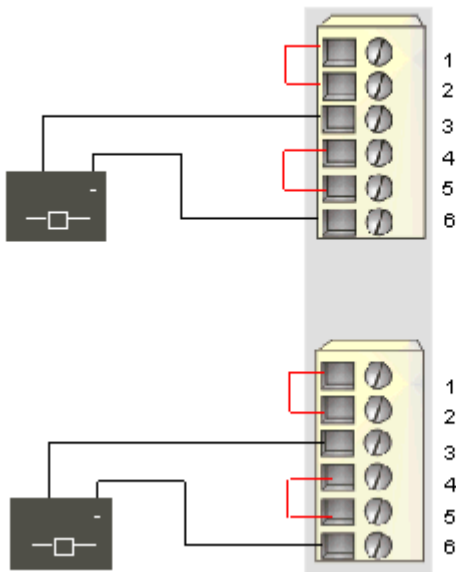
Wiring Diagrams

Examples

1 three-wire actuator and 1 two-wire actuator with external 24 VDC power supply



2 two-wire actuators powered via the PDM



Pin	Top Connector	Bottom Connector
1	+24 VDC actuator bus power	+24 VDC actuator bus power
2	independent power supply in	independent power supply in
3	output to actuator 1	output to actuator 2
4	independent power supply return	independent power supply return

Pin	Top Connector	Bottom Connector
5	field power return (to the module)	field power return (to the module)
6	field power return (to the module)	field power return (to the module)