

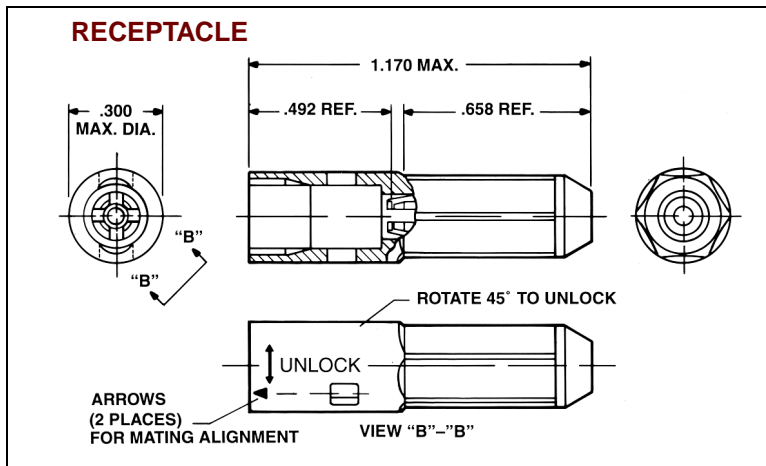
MIL-C-26500 – 48 Series wire splice connector

Special Application Wire Splice Connector

The Amphenol® 48 Series wire splice connector is a low cost, space-saving connector design that can be used for various design applications. The push-mating/twist-pull-unmating feature provides a simple solution to many design requirements without sacrificing performance. This wire splice connector utilizes a metal retention clip for a single size 16 pin and socket contact.

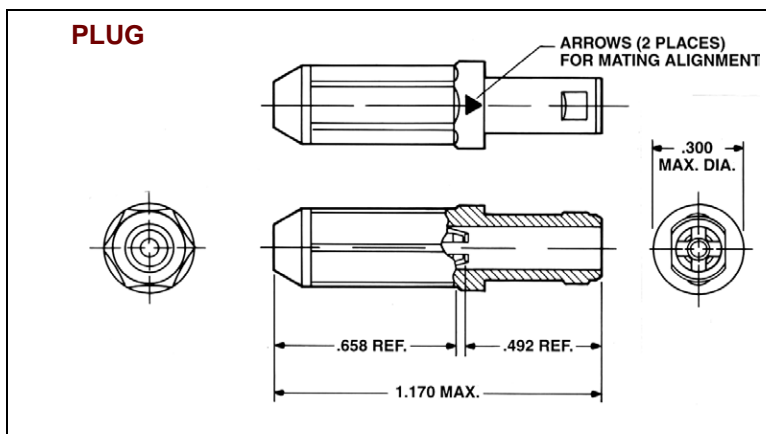
Features and benefits include:

- Push-mating/twist-pull-unmating
- Uses standard M39029/31-229 pin and M39029/32-248 socket contacts
- Incorporates environmental sealing grommet
- Metal collet retention
- Uses standard MIL-C-26500 contact removable tools
- Low cost
- Weight savings design
- Space savings design
- Color coded connector halves - red or blue



Receptacle Wire Splice

| Amphenol 48 Series Part Number | Amphenol 10- Part Number | Color | Size 16 Contact Part Number |
|--------------------------------|--------------------------|-------|-----------------------------|
| 48-7191 | 10-804342 | Blue | Pin ZZL-4016-36LD |
| 48-7191-1 | 10-804342-1 | Red | Socket ZZL-4116-36LD |



Plug Wire Splice

| Amphenol 48 Series Part Number | Amphenol 10- Part Number | Color | Size 16 Contact Part Number |
|--------------------------------|--------------------------|-------|-----------------------------|
| 48-7190 | 10-804341 | Blue | Pin ZZL-4016-36LD |
| 48-7190-1 | 10-804341-1 | Red | Socket ZZL-4116-36LD |

Contacts and Accessories

for MIL-C-26500 cylindrical connectors

Crimp Contacts per MIL-C-39029 – Copper Alloy, Gold Plating

| PIN CONTACTS | | | | |
|--------------|--------------|----------|-------------|-------------------|
| Contact Size | Spec. Number | Bin Code | MS Number | Amphenol/Pyle No. |
| 20 | M39029/31 | 241 | MS24254-20P | ZZL-4020-36LD* |
| 16 | M39029/31 | 229 | MS24254-16P | ZZL-4016-36LD* |
| 12 | M39029/31 | 235 | MS24254-12P | ZZL-4012-36LD* |

| SOCKET CONTACTS | | | | |
|-----------------|--------------|----------|-------------|-------------------|
| Contact Size | Spec. Number | Bin Code | MS Number | Amphenol/Pyle No. |
| 20 | M39029/32 | 260 | MS24255-20S | ZZL-4120-36LD* |
| 16 | M39029/32 | 248 | MS24255-16S | ZZL-4116-36LD* |
| 12 | M39029/32 | 254 | MS24255-12S | ZZL-4112-36LD* |

* Add – H139 for Boeing Marking for Pin/Socket, Standard Plating.
Add – H148 for Boeing Marking for Pin/Socket, Select Plate.

Amphenol®/Pyle® Special Application Contacts

| Copper Alloy, Rhodium plated Contacts† | | | |
|--|---------------------------------|-----------------------|--------------------------|
| Contact Size | Description | Amphenol/Pyle Pin No. | Amphenol/Pyle Socket No. |
| 20 | Copper Alloy/ Rhodium plated | ZZL-4020-36LT | ZZL-4120-36LT |
| 16 | Copper Alloy/ Rhodium plated | ZZL-4016-36LT | ZZL-4116-36LT |
| 12 | Copper Alloy/ Rhodium plated | ZZL-4012-36LT | ZZL-4112-36LT |

† Contacts qualified to Boeing BACC47CN/CP.

| Thermocouple Contacts | | | | | |
|-----------------------|---------------------------------|-----------------------|--------------------------|---------------------|--------------------------|
| Contact Size | Material | Amphenol/Pyle Pin No. | Amphenol/Pyle Socket No. | | Color Code |
| | | | Pencil Clip Design* | Split Tine Design** | |
| 20 | Alumel Chromel Constantan | ZZL-4020-10R | ZZL-4120-10R | ZZY-4120-10R | Green White Yellow |
| | | ZZL-4020-10P | ZZL-4120-10P | ZZY-4120-10P | |
| | | ZZL-4020-10N | ZZL-4120-10N | ZZY-4120-10N | |
| 16 | Alumel Chromel Constantan | ZZL-4016-10R | ZZL-4116-10R | ZZY-4116-10R | Green White Yellow |
| | | ZZL-4016-10P | ZZL-4116-10P | ZZY-4116-10P | |
| | | ZZL-4016-10N | ZZL-4116-10N | ZZY-4116-10N | |
| 12 | Alumel Chromel Constantan | ZZL-4012-10R | ZZL-4112-10R | ZZY-4112-10P | Green White Yellow |
| | | ZZL-4012-10P | ZZL-4112-10P | ZZY-4112-10P | |
| | | ZZL-4012-10N | ZZL-4112-10N | ZZY-4112-10N | |

* Pencil clip socket design - see page 2 for description.
** Split tine socket with napkin ring design - see page 2 for description.

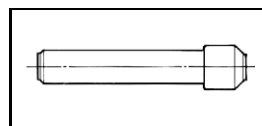
Printed Circuit Board/Wire-Wrap Contacts

A variety of different designs are available; please consult Amphenol, Sidney, NY for more information.

Reel Contacts

2000 contacts per reel (gold or rhodium plated) are available. Consult Amphenol, Sidney, NY for more information.

Sealing Plugs

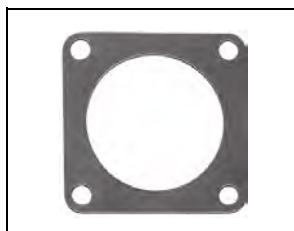


For sealing spare contact holes. Same sealing plug is used in both plug and receptacle.

| Contact Size | Amphenol/Pyle No. | MS Number | Color Code |
|---------------------|-------------------|-------------|------------|
| 20 | 10-405996-20 | MS-27488-20 | Red |
| 16 | 10-405996-16 | MS-27488-16 | Blue |
| 12 & #1 Shielded | 10-405996-12 | MS-27488-12 | Yellow |
| # 2 Shielded | 10-405996-8 | MS27187-4 | White |

Sealing Gaskets

For use with square flange mounted receptacles. Provide waterproofing and pressure sealing features.



| Contact Size | Amphenol/Pyle No. |
|--------------|-------------------|
| 08 | ZZL-6508-10D |
| 10 | ZZL-6510-10D |
| 12 | ZZL-6512-10D |
| 14 | ZZL-6514-10D |
| 16 | ZZL-6516-10D |
| 18 | ZZL-6518-10D |
| 20 | ZZL-6520-10D |
| 22 | ZZL-6522-10D |
| 24 | NA |

Cable Supports - Aluminum