

Features

- 25mm \varnothing panel cutout
- 16A / 250VAC
- 50,000 cycles
- SPST, DPST
- Latching, momentary
- Flush button
- Illuminated and non-illuminated
- Coloured caps available to fit to non-illuminated versions.
- Splash proof cap accessory

RS PRO Push Button Switches

RS Stock No.: 5287814, 5287820, 5287836,
5287842



RS PRO is the own brand of RS. The RS PRO Seal of Approval is your assurance of professional quality, a guarantee that every part is rigorously tested, inspected, and audited against demanding standards. Making RS PRO the Smart Choice for our customers.

Product Description

Single pole and double pole illuminated and non-illuminated push switches, manufactured in Europe. Designed for panel mount applications.

- on-off latching and momentary
- Coloured caps and splash proof cap accessories
- Illuminated red and green
- Flush button
- Suitable for a wide range of applications including small appliances, PDUs, HVAC and cleaning equipment.

General Specifications

	5287814	5287820	5287836	5287842
RS Code:				
Contact Configuration	DPST 	SPST 	DPST 	DPST 
Switch Operation	On-Off, Latching	On-Off, Momentary	On-Off, Latching	On-Off, Latching
Illuminated	No	No	Yes	Yes
Actuator Colour*	Brown	Brown	Green	Red
Actuator Shape	Round	Round	Round	Round
Case Colour	Black	Black	Black	Black
Contact Material	Copper alloy, silver plated			
Case Material	PA66			
Actuator Style	Push button			
Lamp Type	Neon			

*Coloured caps available to fit to actuator on non-illuminated switches.

Material Characteristics	
Housing	PA66
Cap / Button	PC
Contact	Copper alloy, silver plated
Terminals	Copper alloy, silver plated

Electrical Specifications

Voltage Rating	250VAC
Terminal Type	Quick Connect 6.3x0.8mm
Electrical Life	10,000 cycles

Contact Specifications	
Contact AC Voltage Rating	250V
Contact Current Rating	16(6)A at 250VAC - Resistive load (inductive load)
Contact Opening	Full disconnection

Mechanical Specifications

Mounting Type	Panel
Panel Cut Out Size	∅ 25mm
Panel Thickness	See drawing
Mechanical Life	50,000 operations min
Quick-Connect Terminal	6.3mm x 0.8mm
Weight	10g

Operation Environment Specifications

Operating Temperature Range	Housing 120°C / Button 55 °C
-----------------------------	------------------------------

Protection Category

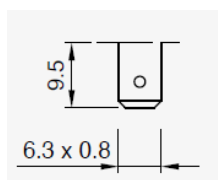
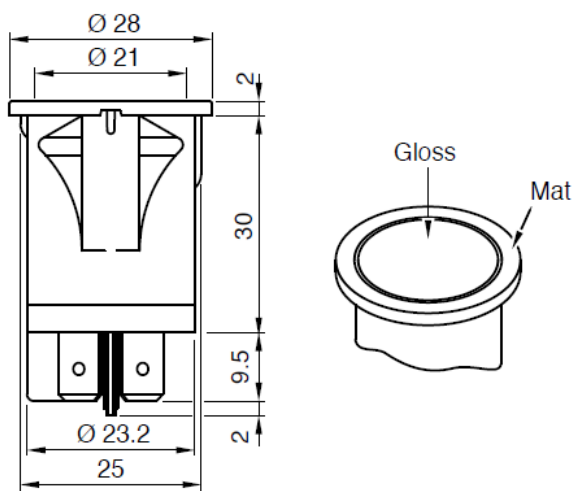
IP Rating	IP40 / IP65 if fitted correctly with splash proof cap
-----------	---

Classification

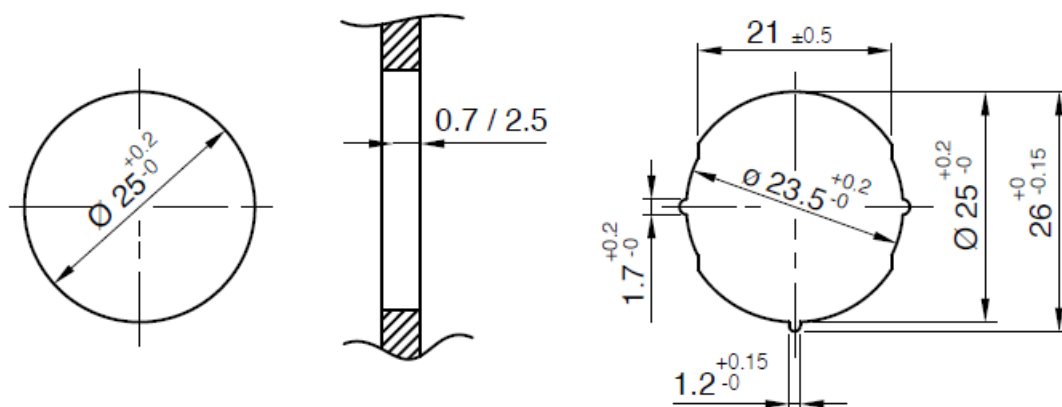
Class of Appliance	II
--------------------	----

Approvals

Compliance/Certifications	EN 61058-1, ENEC, UL, CE
Declarations	GWFI 850°C heat and fire resistance



CUTOUT



Accessory – Splash Proof Cap RS Code 2661887

For IP65 protection if fitted correctly to switch.



Accessory – Coloured Caps For Non-Illuminated Switches



RS Code:	1947621 Red	319427 White	319382 Green	319411 Black
----------	----------------	-----------------	-----------------	-----------------