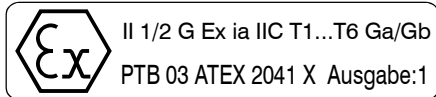


Thermocouple



Type 254RS

Issue 11/20

Application:

Thermocouple with exchangeable
measuring insert, for screwing in

Implementation

ATEX II 1/2 G Ex ia IIC T1...T6 Ga/Gb

Degree of protection

IP 54 acc. to DIN EN 60 529

Measuring range

0°C to +800 °C

Temperature sensor

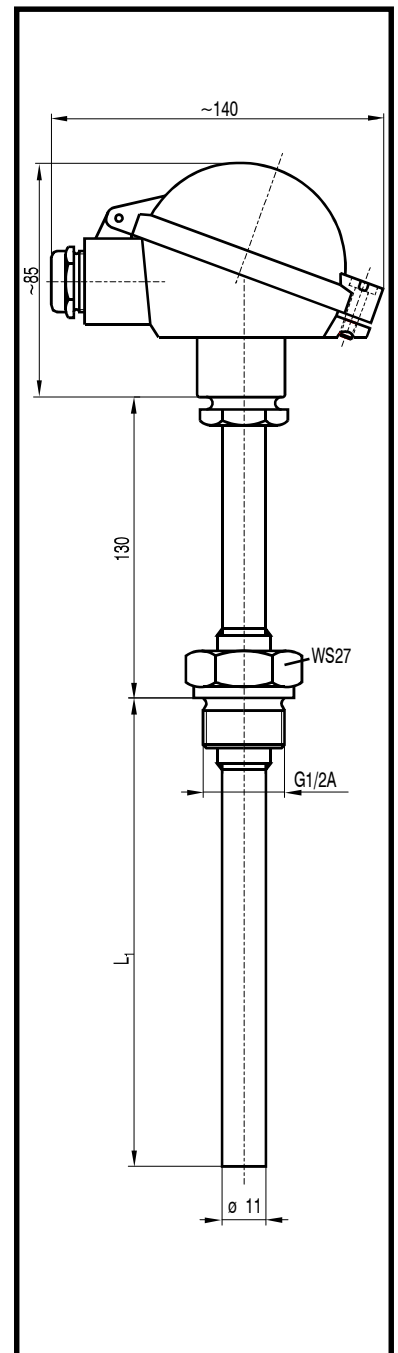
1 x Type K (NiCr-Ni) acc. to DIN EN 60584

Protective tube material

1.4571

Installment length L1

100 mm
200 mm



Order example

TE254-Exi-200

Subject to change without notice

D- 99331 Geratal OT Geraberg, Gewerbepark 6

Tel: +49 (0) 3677 / 7956-0 // Fax: +49 (0) 3677 / 795 625

E-Mail: info@electrotherm.de

Internet: www.electrotherm.de