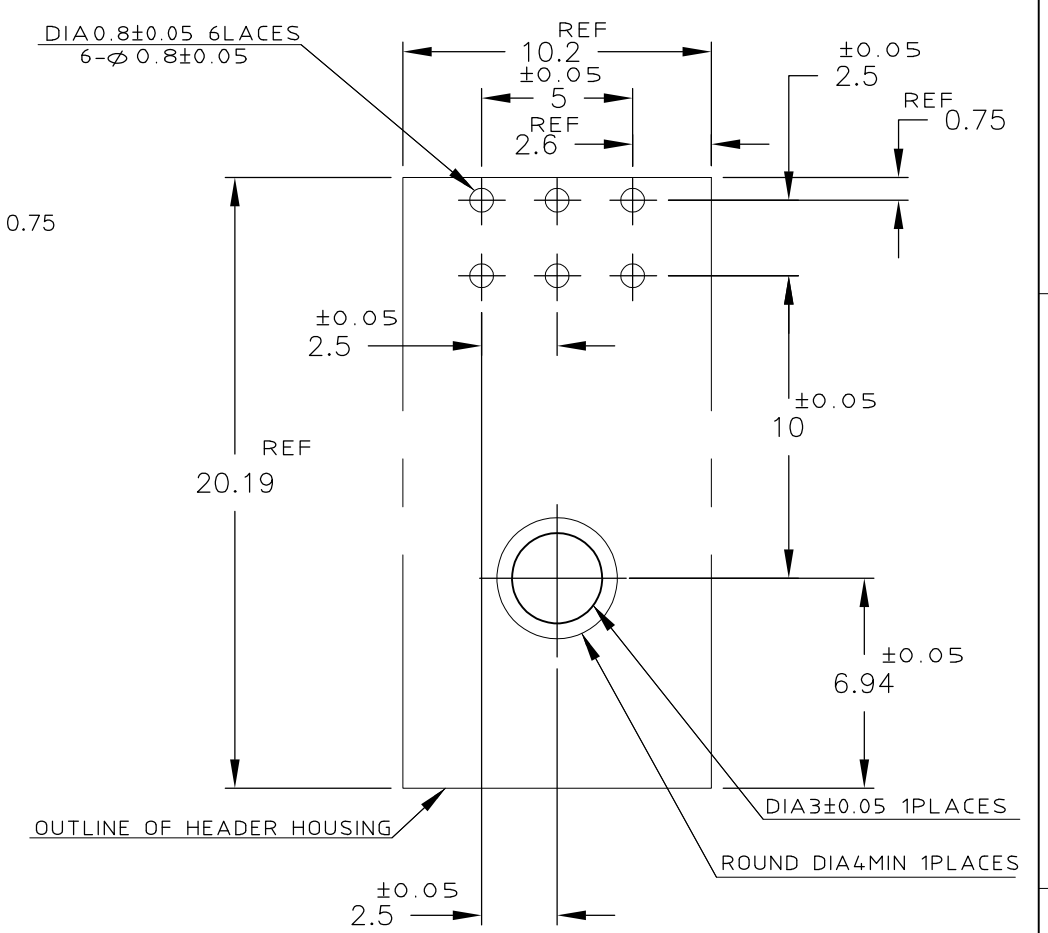
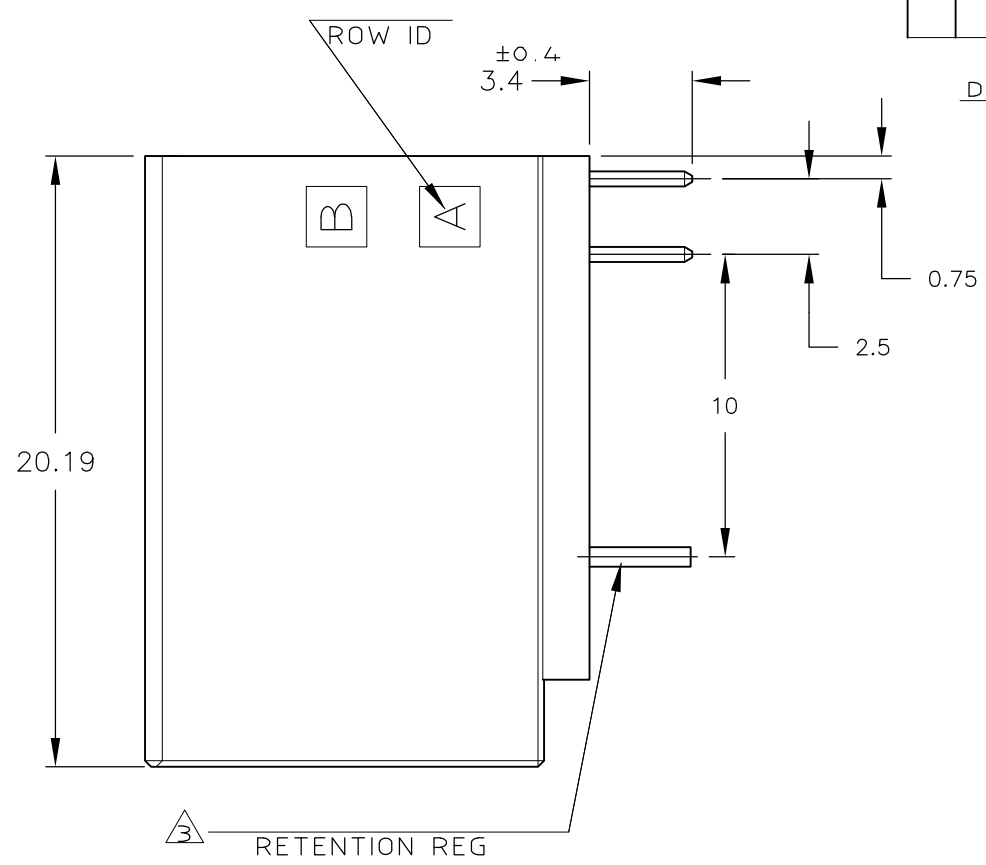
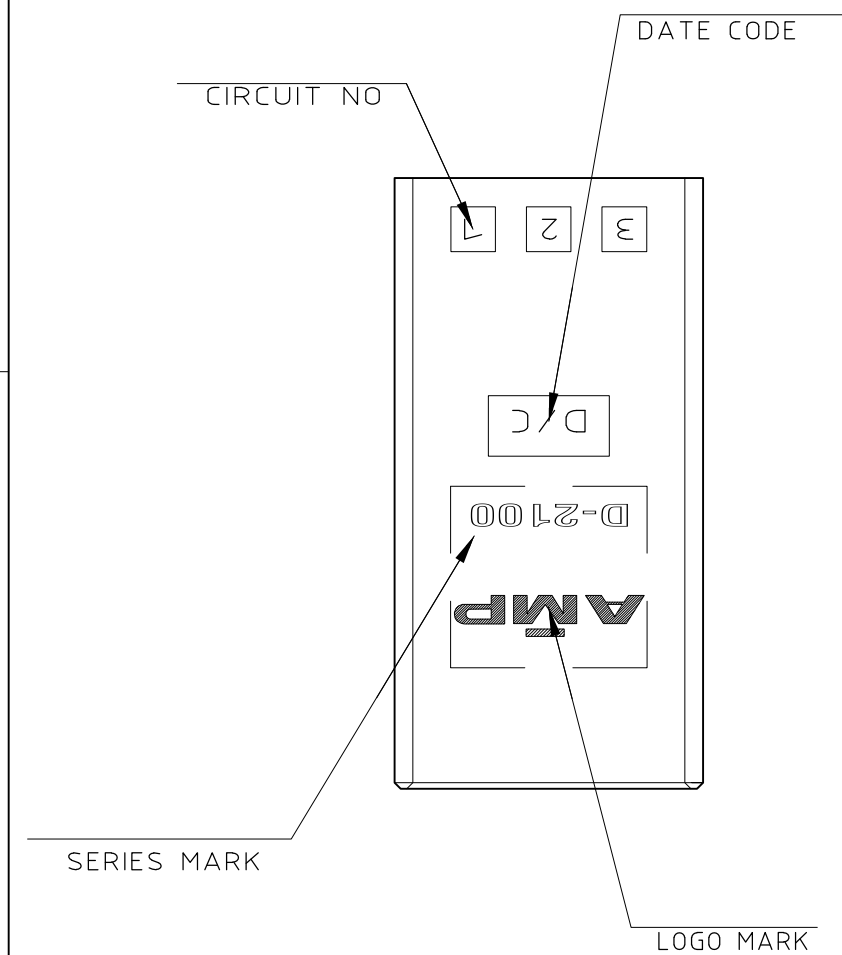
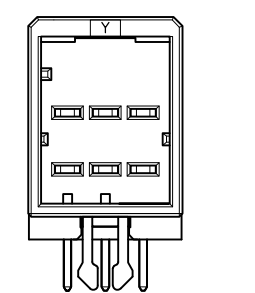
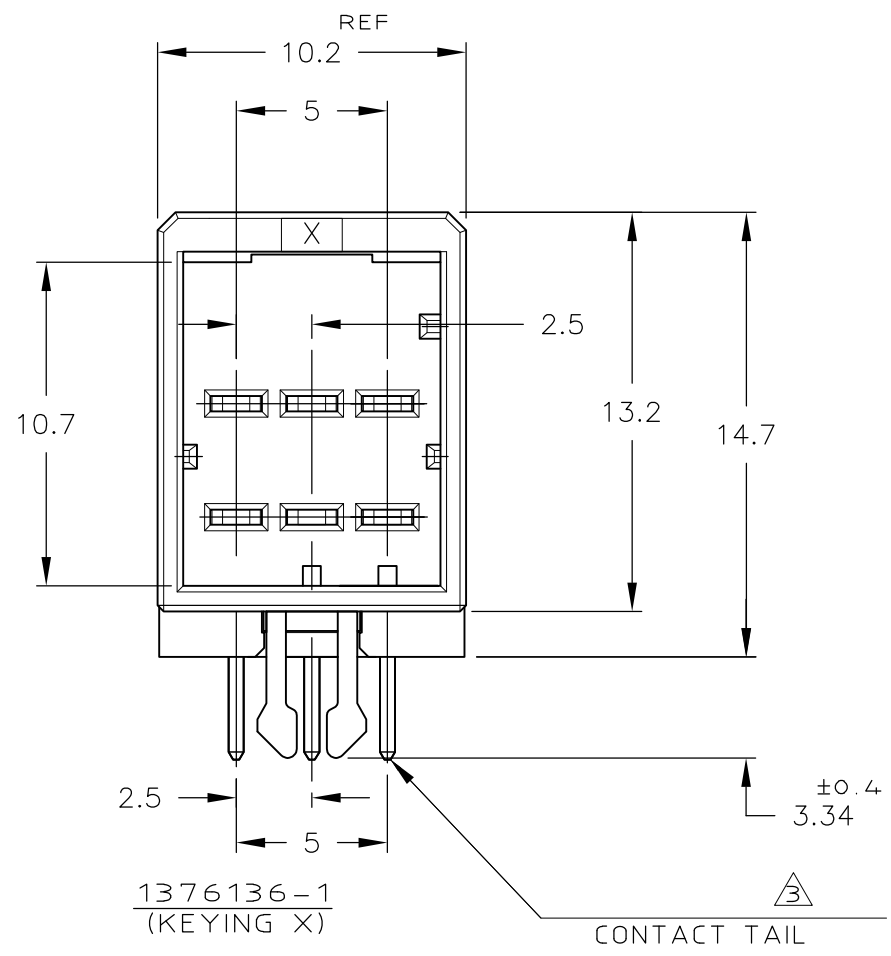


THIS DRAWING IS UNPUBLISHED. RELEASED FOR PUBLICATION  
 © COPYRIGHT 2011 APR By - Tyco Electronics Japan G.K. ALL RIGHTS RESERVED.

LOC	DIST	REVISIONS					
J	/	P	LTR	DESCRIPTION	DATE	DWN	APVD
		C		REVISED	25APR11	MM	NY



RECOMENDED PC BOARD HOLE PATTERN(TOL:±0.05)  
 PC BOARD THICKNESS:1.6±0.3  
 (CONNECTOR MOUNT SIDE)



1376136-2  
 9-1376136-2  
 (KEYING Y)  
 SCALE : 2-1

- NOTES
- MATERIAL:HOUSING:GLASS FILED THERMO PLASTIC ,POLYESTER(94V-0),  
 COLOR : 1376136-1/-2 : BLACK  
 9-1376136-2 : NATURAL  
 TAB CONTACT:COPPER ALLOY  
 RETENTION LEG:BRASS
  - FINISH(CONTACT AREA):0.38μmMIN GOLD PLATING  
 OVER Ni PLATING
  - FINISH(RETENTION LEG): TIN PLATED  
 (CONTACT TAIL) OVER NICKEL

Y	NATURAL	9-1376136-2
Y	BLACK	1376136-2
X	BLACK	1376136-1
KEY	COLOR	PART NO

THIS DRAWING IS A CONTROLLED DOCUMENT.		DWN K.IKEDA	24FEB00	TE Connectivity DOUBLE ROW HEADER ASS'Y 6P ("H" TYPE) <DYNAMIC D-2100D>			
DIMENSIONS: mm		CHK Y.KATO	24FEB00				
TOLERANCES UNLESS OTHERWISE SPECIFIED:		APVD I.HASEGAWA	24FEB00	NAME			
0 PLC ± -		PRODUCT SPEC		108-5619			
1 PLC ± 0.3		APPLICATION SPEC		114-5258			
2 PLC ± 0.35		WEIGHT		A300779 C-1376136			
3 PLC ± 0.4		MATERIAL		CUSTOMER DRAWING			
4 PLC ± -		FINISH		SCALE 1:1 SHEET 1 OF 1 REV C			
ANGLES ± 3'		SEE NOTES		RESTRICTED TO			
SEE NOTES		SEE NOTES					