

## Datasheet

ENGLISH

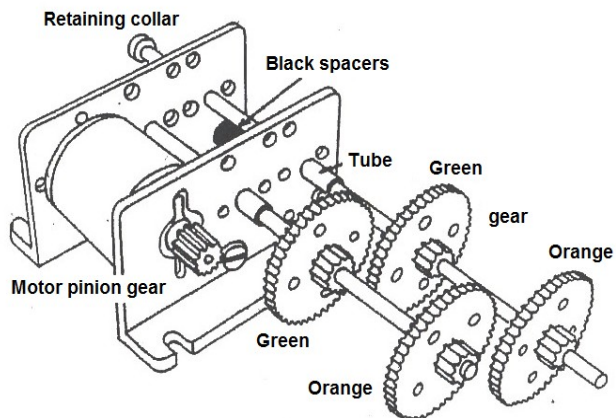
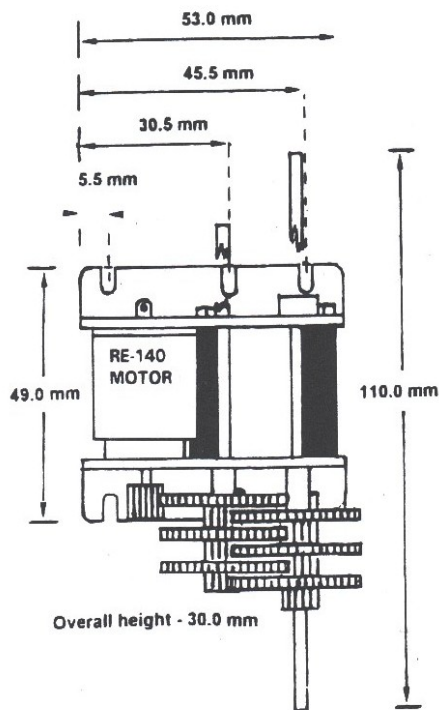
# RS PRO, 3 V dc, 10.92 gcm, Brushed DC Geared Motor, Output Speed 4 - 3700 rpm

Stock No: 238-9636



## Specifications:

Operating Voltage	3v
Current Rating	1.05 A
Torque Rating	10.92g.cm
Output Speed	4-3700rpm
Shaft Diameter	2mm
Length	52mm
Width	110mm



Output Speed	4 – 3700 rpm
Supply Voltage	3 V dc
Maximum Output Torque	10.92 gcm
DC Motor Type	Brushed
Shaft Diameter	2mm
Power Rating	1.29 W
Gearhead Type	Spur
Length	52mm
Width	110mm
Current Rating	1.05 A

Reduction Table RPM	1.5v	3v
4:1	1850	3700
16:1	462	925
64:1	115	231
256:1	29	57
1024:1	7	14
4096:1	2	4