



Product designation				Changeover Switch
Product type designation				GLC
Number of poles	Nr.			4
Operating voltage type				AC
<b>Contact characteristics</b>				
IEC Conventional free air thermal current I <sub>th</sub>	A			320
Rated insulation voltage U <sub>i</sub> IEC/EN	V			1000
Rated impulse withstand voltage U <sub>imp</sub>	kV			12
Operating current I <sub>e</sub>				
AC31B	400V	A	320	
	500V	A	320	
	690V	A	320	
AC32B	400V	A	320	
	500V	A	320	
	690V	A	320	
AC33B	400V	A	320	
	500V	A	320	
	690V	A	320	
Power dissipation per pole max			W	20.8
Rated operational power AC23A	400V	kW	160	
	690V	kW	315	
Rated short time current (1s) I <sub>cs</sub> (rms)			kA	12.5
Rated short time current (0.3s) I <sub>cs</sub> (rms)			kA	20
Conditional short-circuit current (rms)			kA	80
Short-circuit protection with fuse	Class/A		gG/355	
Making capacity AC23A 400V			A	3200
Breaking capacity AC23A 400V			A	2560
Mechanical life			cycles	10000
<b>Mechanical features</b>				
Operating position	normal allowable			Vertical plan Any
Fixing				Screw
Terminals	type			M10 x 25
Tightening torque for terminals	min	Nm	30	
	max	Nm	37	
	min	lbin	265	
	max	lbin	327	

Conductor section

IEC min	mm <sup>2</sup>	1X182
IEC max	mm <sup>2</sup>	2X185
AWG/kcmil min		1X400
AWG/kcmil max		2X350

Ambient conditions

Operating temperature

min	°C	-25
max	°C	+55

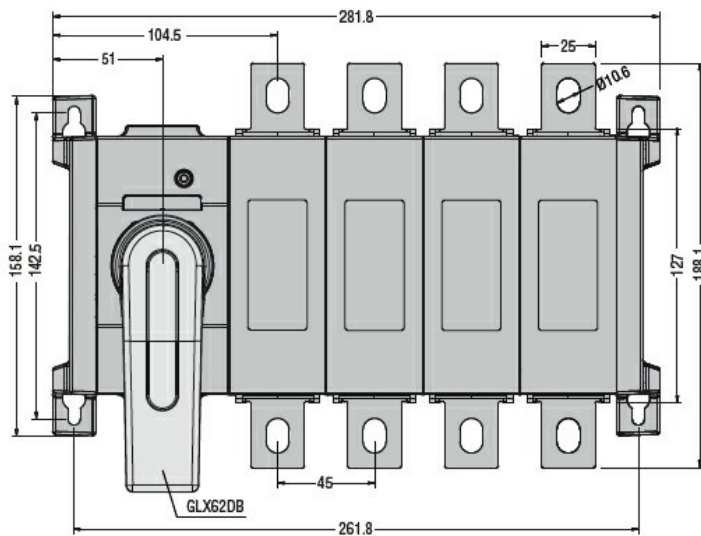
Storage temperature

min	°C	-40
max	°C	+70

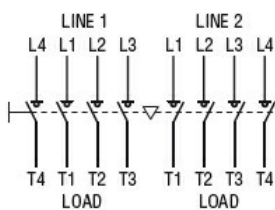
Max altitude

m	3000
---	------

Dimensions



Wiring diagrams



Certifications and compliance

Compliance

IEC/EN 60947-1  
IEC/EN 60947-3  
IEC/EN 60947-6-1

ETIM classification

ETIM 8.0

EC000216 -  
Switch  
disconnecter