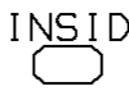
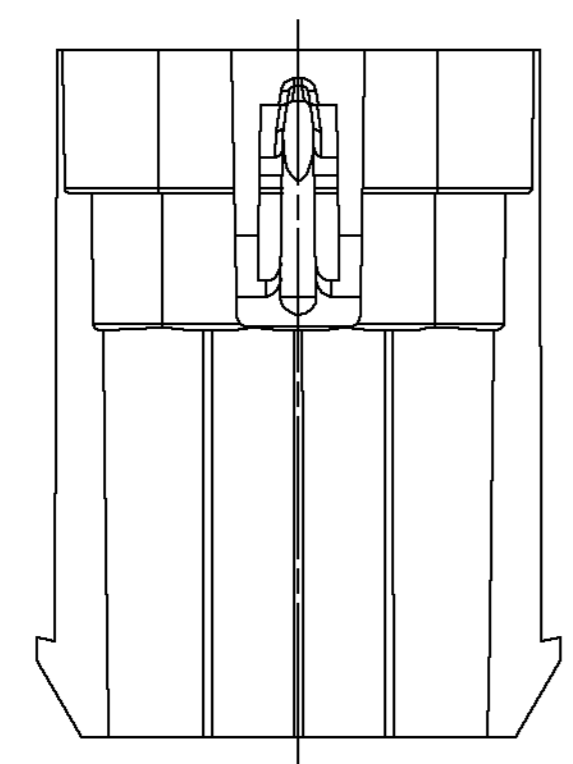
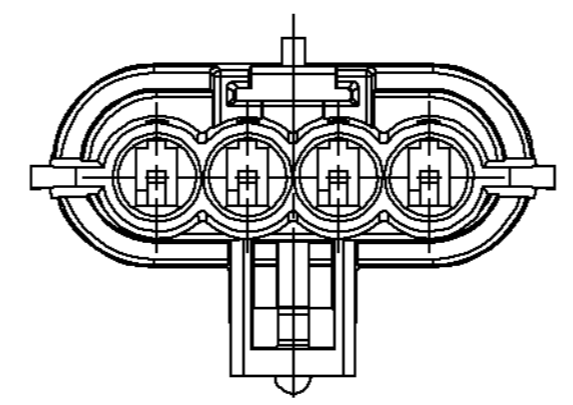
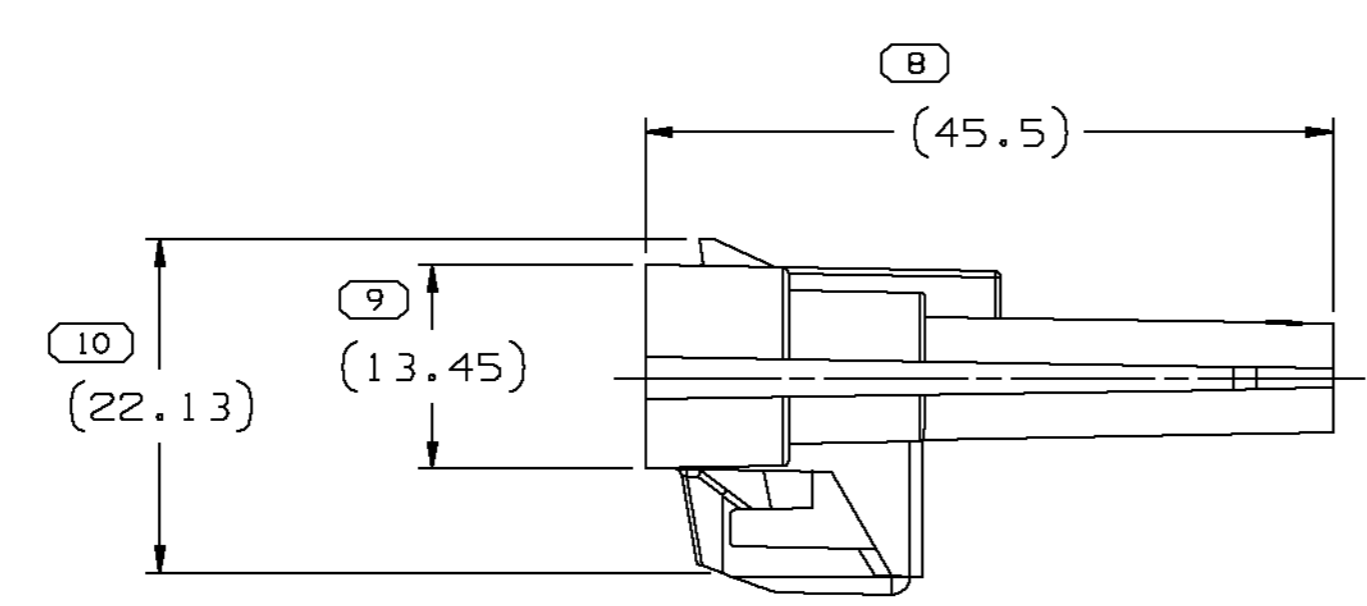
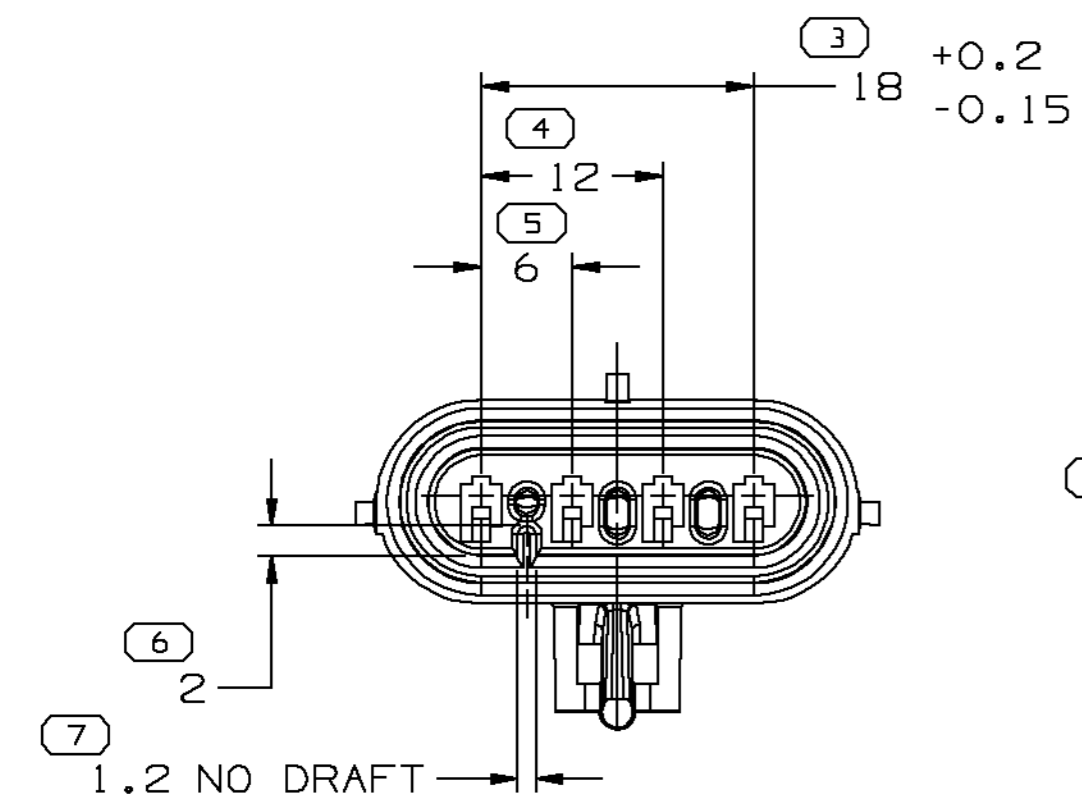
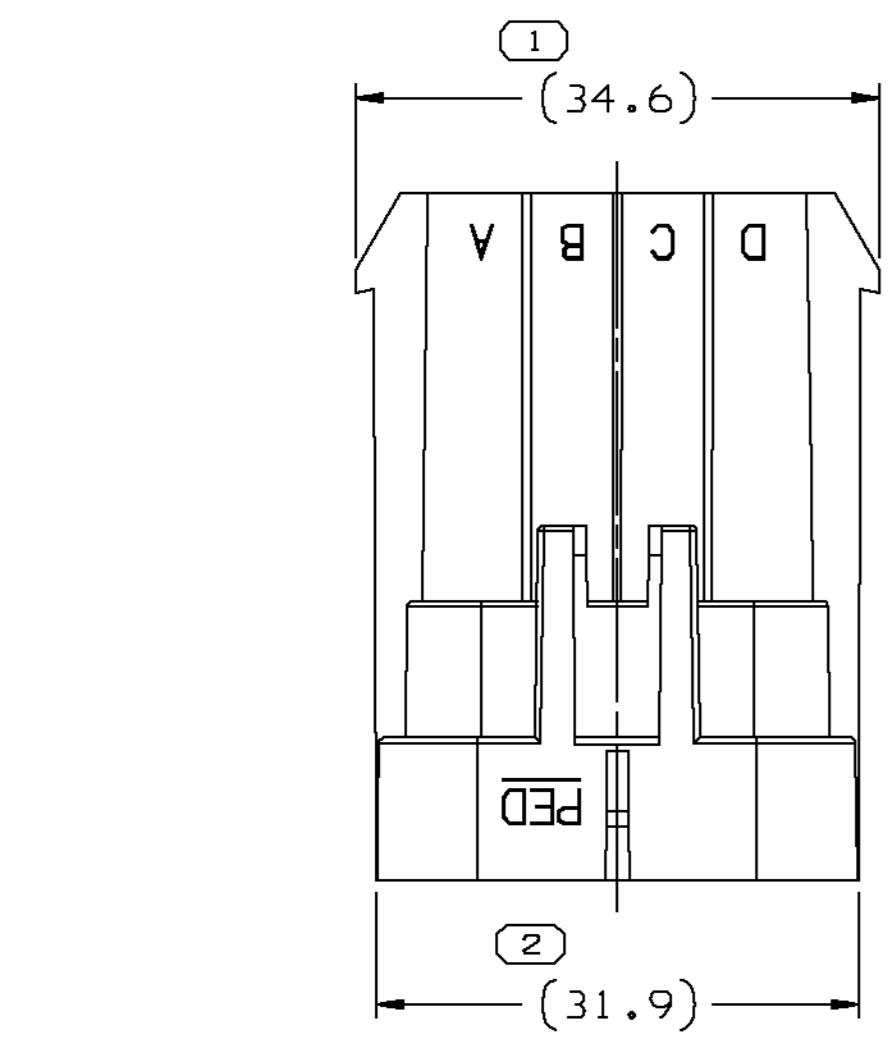


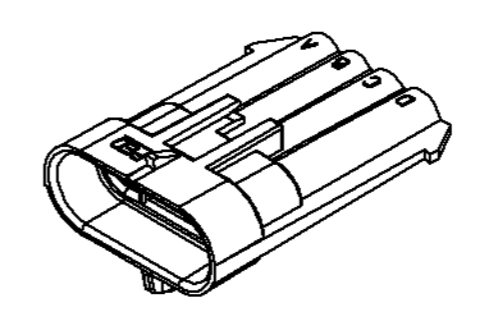
SYMBOL DEFINITION		MISSING NUMBERS	
THE NUMBER INSIDE THE SYMBOL  CORRESPONDS TO THE NUMBER ON THE INSPECTION REPORT FOR THIS DRAWING/PART NUMBER	TOTAL NO. OF SYMBOLS ON DRAWING	10	
	LAST NO. USED	10	

DWG STATUS					ZONE	REVISION HISTORY	AUTH	DR	APVD1	APVD2
DATE	STG	REV	N/P	CHG						
30AU01	R	01	-	-		ALL PARTS - CLEARED REV COLUMN & REVISED LOCK CONSTRUCTION	210736	EOV	EOV	GMC
150C02	R	02	-	-		15450276 - RELEASED	231864	JHN	FRG	MBD

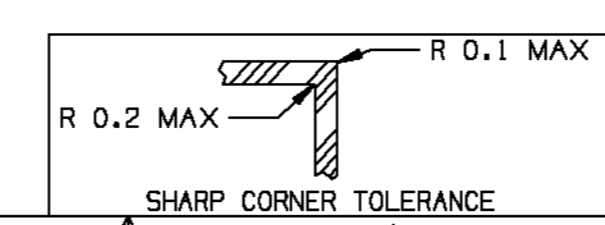


NOTES

- UNLESS OTHERWISE SPECIFIED AND/OR INDICATED: DIMENSIONS ARE TO FACE OF VIEW SHOWN AND AUTOMATICALLY ROUNDED BY COMPUTER FOR INSPECTION. (SEE MATH MODEL FOR PRECISE DIMENSIONS.) FOR ALL OTHER DIMENSIONS NOT SHOWN BUT REQUIRED FOR TOOL BUILD, SEE MATH MODEL FOR PRECISE TOOL PATH DATA.
- SEALING CODE 3 - DESIGN WILL PASS SALT FOG AND IMMERSION TEST AFTER CONDITIONING AS SPECIFIED IN ESA-644 (WEATHER-PACK), ESA-710 (METRI-PACK), ESA-650 (UNDERHOOD MICRO-PACK), C-4006 (WORLD CONNECTOR), ETC. - WHEN MATED TO MATING PART OR EQUIVALENT
- MATING COMPONENTS:
CONNECTOR AND SEAL ASSEMBLY 12059870
CABLE SEAL 12048086 OR EQUIVALENT
SEE DETAIL DRAWING FOR COMPATIBLE O.D. RANGE
TERMINAL 12045773 OR EQUIVALENT
SECONDARY TERMINAL LOCK 12047948
CONNECTOR POSITION ASSURANCE LOCK 12020833
- MATERIAL RECYCLING CODE >PBT< PER SAE J1344. (2.3)X(0.1) RAISED CHARACTERS AS SHOWN TO BE LOCATED ON ANY EXTERIOR SURFACE. OPTIONAL CONSTRUCTION TO BE NO MATERIAL RECYCLING CODE.
- (2.3)X(0.1) RAISED DELPHI CORPORATE BRAND TO BE LOCATED ON ANY EXTERIOR SURFACE, PREFERABLY VISIBLE AT FINAL ASSEMBLY. OPTIONAL CONSTRUCTION TO BE "PED" OR NO LOGO.



15450276	01	-		M4698008 PBT GF30 HS-BLU	5.649
12162102	03	-		RO100172 PBT-GF30 REPELLETIZED-BLK	5.649
PART NO	REV	N/P	STATUS	MATERIAL SPECIFICATION AND COLOR	VOLUME CM ³



DIMENSIONAL RANGE (MM)		CHART E1	
FROM	TO	±	±
>0	>20	±0.15	±0.2
>20	>30	±0.3	±0.4
>30	>70	±0.4	±0.5
>70	>100	±0.5	±0.6
>100	>150	±0.6	±0.8
>150	>200	±1	±1.2
>200	>250		
>250	>300		
>300	>400		

DWG TYPE	PART DRAWING
STYLE	
VOLUME (CM ³)	SEE CHART
ROUTING	6900
DISTR CODE	D
UNLESS OTHERWISE SPECIFIED	
THIS DOCUMENT IS IN ACCORDANCE WITH ASME Y14.5M-1994 AS AMENDED BY THE GM GLOBAL DIMENSIONING AND TOLERANCING ADDENDUM - 1997. ALL GEOMETRIC TOLERANCES AND RELATED DATUMS APPLY PER THE RULE #1 PERFECT FORM AT MMC DOES NOT APPLY WHEN RELATIONSHIP BETWEEN FEATURES IS ESTABLISHED BY ORIENTATION OR LOCATION TOLERANCES. SEPARATE POSITION CALLOUTS MAY BE GAGED SEPARATELY, REGARDLESS OF DATUM REFERENCE.	
ALL DIMENSIONS ARE IN MILLIMETERS	
REFERENCE	12052844
THIRD ANGLE PROJECTION	DO NOT SCALE
USE MATH DATA	UNIGRAPHICS

DELPHI
DELPHI PACKARD ELECTRIC SYSTEMS
WARREN, OH

DR	DATE
APVD1 T. BEILSTEIN	250C93
APVD2 T. BEILSTEIN	250C93
APVD3 K. MURPHY	05N093
APVD4	
APVD5	

SUBSTANCES OF CONCERN AND RECYCLED CONTENT PER DELPHI 10949001

MATERIAL SEE CHART

DRAWING NAME
TAXI CONN 4 M M/P 150 N/A

DRAWING NUMBER
12162103

SIZE	SCALE	FRAME NO	SHEET NO	STG	REV	N/P
A1	2:1	1 OF 1	2 OF 2	R	02	-