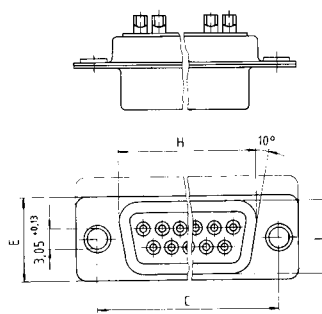
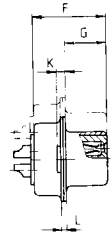
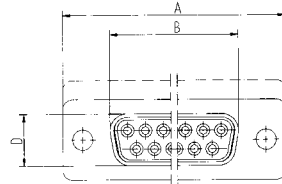
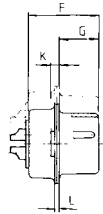
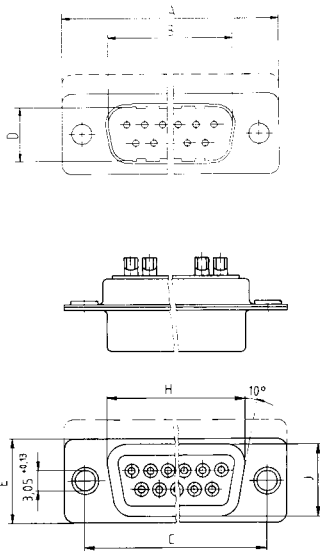


## TMC with manual soldering termination

### Dimensional drawings

Male connector

Female connector

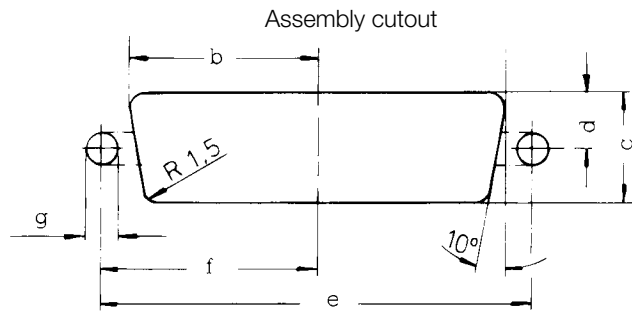


### Ordering details

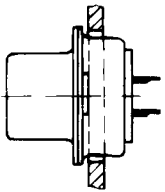
		<b>Female connectors</b>				
		<b>TMC-S-....L (solder cup tinned)</b> <i>Performance Level 207</i>				
Number of pins		09	15	25	37	50
<i>Standard</i>		<i>Standard version</i> <b>004617 004620 004613 004926 004615</b>				
	<b>TMC-P-....L (solder cup gold-plated)</b> <i>Performance Level 207</i>	<b>TMC-S-....L (solder cup gold-plated)</b> <i>Performance Level 207</i>				
Number of pins	09 15 25 37 50	09 15 25 37 50				
<i>Standard</i>	<i>Standard version</i> <b>023127 023128 023129 023130 023131*</b>	<i>Standard version</i> <b>004125 013522 013635 004633 013844</b>				

## Assembly details

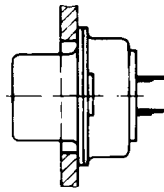
### TMC with manual solder termination



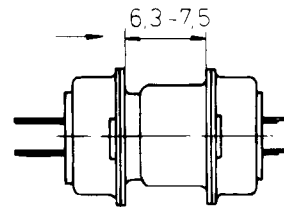
Front assembly



Rear assembly



Zone of reliable contact



Number of pins	Assembly	a ±0,13	b ±0,13	c ±0,13	d ±0,13	e ±0,1	f ±0,1	g ±0,1
9	Front	22,2	11,1	13,0	6,5	25	12,5	3,1
	Rear	20,5	10,25	11,4	5,7			
15	Front	30,5	15,25	13,0	6,5	33,3	16,65	3,1
	Rear	28,8	14,4	11,4	5,7			
25	Front	44,3	22,15	13,0	6,5	47	23,5	3,1
	Rear	42,5	21,25	11,4	5,7			
37	Front	60,7	30,35	13,0	6,5	63,5	31,75	3,1
	Rear	59,1	29,55	11,4	5,7			
50	Front	58,3	29,15	15,8	7,9	61,1	30,55	3,1
	Rear	56,3	28,15	14,1	7,05			