

## REF : COUPLK6AFS

Shielded coupler RJ45 type Keystone female/female Category 6A



### Descriptions

- Shielded RJ45 coupler for connection of two RJ45 patch cords
- Connection without tool
- Format type Keystone

### Standards

- EIA/TIA 568-C.2
- IEC 60603-7-51
- ISO/EIC 11801 Ed 2
- EN 50173

### Technical and Electrical properties

<b>Electrical properties</b>	
Current rating	1.5 A
Insulation resistance	500 M $\Omega$
Contact resistance	20 M $\Omega$
DC resistance	0.1 M $\Omega$
<b>Mechanical properties</b>	
Plug insertion life	750 cycles min
Temperature	-40 to 68°C

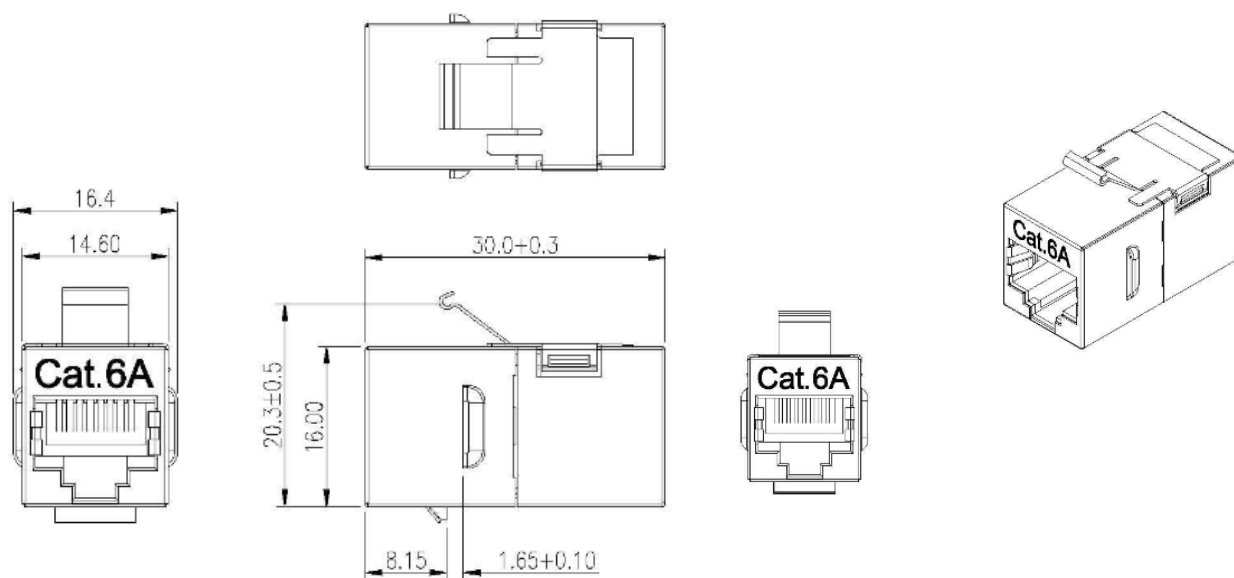
### Physical properties

Housing	High impact flame retardant plastic
Shielded	0.25mm thickness electrolytic tin plate
Bracket	0.3t SUS 301
Jack wiring	Phosphor bronze Gold over Nickel plated

## REF : COUPLK6AFS

Shielded coupler RJ45 type Keystone female/female Category 6A

### 3D picture



### Ordering information

Item No	Designation	Packaging
<b>COUPLK6AFS</b>	Shielded coupler RJ45 female/female CAT6A	8