

Auxiliary switch block, 4 NO+4 NC







| | |
|--|-------------------------------------|
| product category | Auxiliary switch |
| product designation | auxiliary switch |
| suitability for use | Contactor relay and power contactor |
| General technical data | |
| size of contactor | 12 |
| insulation voltage with degree of pollution 3 at AC rated value | 690 V |
| surge voltage resistance rated value | 6 kV |
| protection class IP on the front | IP20 |
| mechanical service life (operating cycles) typical | 30 000 000 |
| Substance Prohibition (Date) | 07/01/2006 |
| SVHC substance name | Blei - 7439-92-1 |
| number of NC contacts for auxiliary contacts | |
| • instantaneous contact | 4 |
| • lagging switching | 0 |
| number of NO contacts for auxiliary contacts | |
| • instantaneous contact | 4 |
| • leading contact | 0 |
| number of CO contacts of auxiliary contacts instantaneous contact | 0 |
| operational current of auxiliary contacts at AC-12 | |
| • at 24 V | 10 A |
| • at 230 V | 10 A |
| operational current of auxiliary contacts at AC-14 | |
| • at 125 V | 10 A |
| operational current of auxiliary contacts at AC-12 maximum | 10 A |
| operational current of auxiliary contacts at AC-15 | |
| • at 24 V | 10 A |
| • at 230 V | 5.6 A |
| • at 400 V | 3.6 A |
| operational current of auxiliary contacts at DC-12 | |
| • at 24 V | 10 A |
| • at 110 V | 3.2 A |
| • at 220 V | 0.9 A |
| operational current of auxiliary contacts at DC-13 | |
| • at 24 V | 10 A |
| • at 48 V | 5 A |
| • at 60 V | 5 A |
| • at 110 V | 1.14 A |
| • at 125 V | 0.98 A |
| • at 220 V | 0.48 A |

| Ambient conditions | |
|----------------------------|----------------|
| ambient temperature | |
| • during operation | -25 ... +55 °C |
| • during storage | -55 ... +80 °C |

| Safety related data | |
|--|----|
| product function | |
| • positively driven operation according to IEC 60947-5-1 | No |

| Installation/ mounting/ dimensions | |
|--|---|
| fastening method | snap-on mounting |
| height | 70 mm |
| width | 75 mm |
| depth | 54 mm |
| type of electrical connection for auxiliary and control circuit | screw-type terminals |
| connectable conductor cross-section for auxiliary contacts | |
| • solid or stranded | 0.5 ... 2.5 mm ² |
| • finely stranded with core end processing | 0.5 ... 2.5 mm ² |
| type of connectable conductor cross-sections | |
| • for auxiliary contacts | |
| — solid or stranded | 2x (0,5 ... 1,0 mm ²), 2x (1,0 ... 2,5 mm ²) |
| — finely stranded with core end processing | 2x (0,5 ... 1,0 mm ²), 2x (0,75 ... 2,5 mm ²) |
| • for AWG cables for auxiliary contacts | 2x (18 ... 12) |
| AWG number as coded connectable conductor cross section for auxiliary contacts | 18 ... 12 |

Approvals Certificates

| General Product Approval | Functional Safety/Safety of Machinery | Declaration of Conformity |
|---|---|---|
| Confirmation  |  | Type Examination Certificate   |

other

| |
|------------------------------|
| Confirmation |
|------------------------------|

Further information

Siemens has decided to exit the Russian market (see here).
<https://press.siemens.com/global/en/pressrelease/siemens-wind-down-russian-business>

Siemens is working on the renewal of the current EAC certificates.
Please contact your local Siemens office on the status of validity of the EAC certification if you intend to import or offer to supply these products to an EAC relevant market (other than the sanctioned EAEU member states Russia or Belarus).

Information on the packaging
<https://support.industry.siemens.com/cs/ww/en/view/109813875>

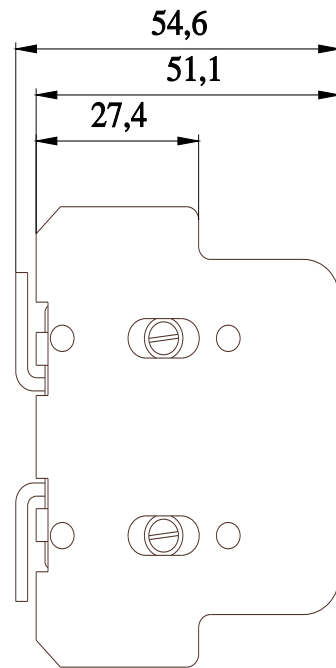
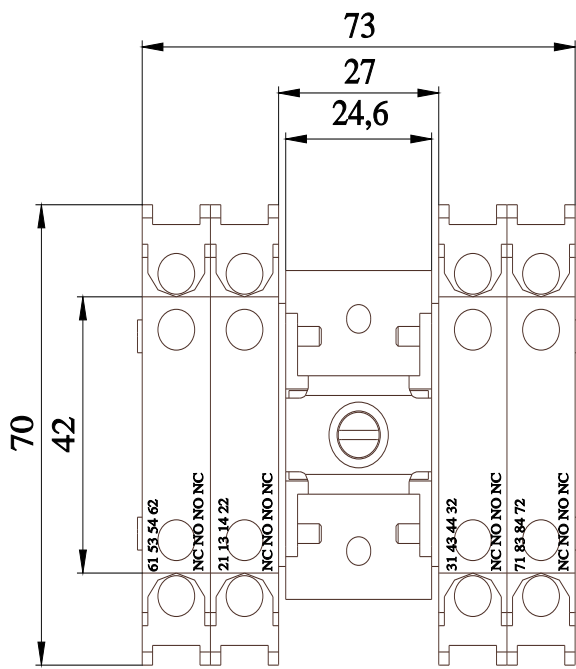
Information- and Downloadcenter (Catalogs, Brochures,...)
<https://www.siemens.com/ic10>

Industry Mall (Online ordering system)
<https://mall.industry.siemens.com/mall/en/en/Catalog/product?mlfb=3TY2741-2J>

Cax online generator
<http://support.automation.siemens.com/WW/CAXorder/default.aspx?lang=en&mlfb=3TY2741-2J>

Service&Support (Manuals, Certificates, Characteristics, FAQs,...)
<https://support.industry.siemens.com/cs/ww/en/ps/3TY2741-2J>

Image database (product images, 2D dimension drawings, 3D models, device circuit diagrams, EPLAN macros, ...)
http://www.automation.siemens.com/bilddb/cax_de.aspx?mlfb=3TY2741-2J&lang=en



Links / left

Rechts / right

