

BLADE2



100~600W Lensed LED Floodlight



Key Features:

- High luminous efficacy using 3030 LED chips
- Super slim rugged design (maximum depth 60mm)
- Custom designed case for effective heat dissipation
- In house LED driver technology
- Impact resistant tempered glass
- Bracket designed with +/-160° angle with 5° interval locking system
- Designed to eliminate water ingress
- Optional Dusk to Dawn available
- IP65 rating
- 5 years warranty

BLADE2 SPECIFICATION

Model Number	BLADE2-100	BLADE2-150	BLADE2-200	BLADE2-240
Fitting Colour	Black	Black	Black	Black
Input Voltage	115-240V 50-60Hz	115-240V 50-60Hz	115-240V 50-60Hz	115-240V 50-60Hz
Output Load	100W	150W	200W	240W
Power Factor	>0.95	>0.95	>0.95	>0.95
Lumens	14000lm	21000lm	28000lm	33600lm
Beam Angle	120°	120°	120°	120°
Colour (K)	5000K	5000K	5000K	5000K
CRI	>80	>80	>80	>80
Efficacy (lm/W)	140lm/W	140lm/W	140lm/W	140lm/W
Housing	Die cast Aluminium Case	Die cast Aluminium Case	Die cast Aluminium Case	Die cast Aluminium Case
Working Temperature	-30°C ~ +40°C	-30°C ~ +40°C	-30°C ~ +40°C	-30°C ~ +40°C
Protection	IP65	IP65	IP65	IP65
Weight	4Kg	5.4Kg	6.5Kg	10.4Kg
Dimensions	315 x 245 x 57mm	364 x 290 x 57mm	420 x 329 x 57mm	530 x 385 x 60mm

Model Number	BLADE2-300	BLADE2-400	BLADE2-500	BLADE2-600
Fitting Colour	Black	Black	Black	Black
Input Voltage	115-240V 50-60Hz	115-240V 50-60Hz	115-240V 50-60Hz	115-240V 50-60Hz
Output Load	300W	400W	500W	600W
Power Factor	>0.95	>0.95	>0.95	>0.95
Lumens	42000lm	56000lm	70000lm	84000lm
Beam Angle	120°	120°	120°	120°
Colour (K)	5000K	5000K	5000K	5000K
CRI	>80	>80	>80	>80
Efficacy (lm/W)	140lm/W	140lm/W	140lm/W	140lm/W
Housing	Die cast Aluminium Case	Die cast Aluminium Case	Die cast Aluminium Case	Die cast Aluminium Case
Working Temperature	-30°C ~ +40°C	-30°C ~ +40°C	-30°C ~ +40°C	-30°C ~ +40°C
Protection	IP65	IP65	IP65	IP65
Weight	10.8Kg	13Kg	20.8Kg	20.8Kg
Dimensions	530 x 385 x 60mm	420 x 658 x 57mm	530 x 772 x 60mm	530 x 772 x 60mm

Available Variants

BLADE2-xxx-30	30°/60°/90°/120° Beam Angles
BLADE2-xxx-T2	Type2/Type3 Asymmetric Beam Angles
BLADE2-xxx-xx-G	Grey finish



PowerLed
Orion House
Calleva Park
Aldermaston
Berkshire
RG7 8SN

Contact:
Tel: 0118 9703856
enquiries@powerled.uk.com
www.powerled.uk.com



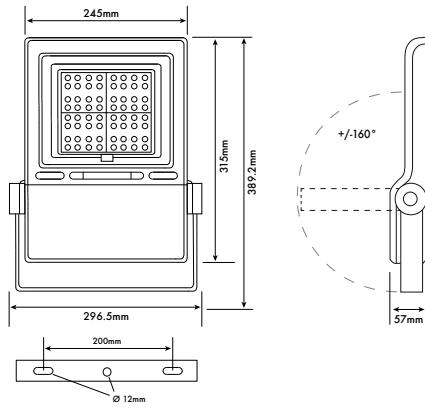


BLADE2

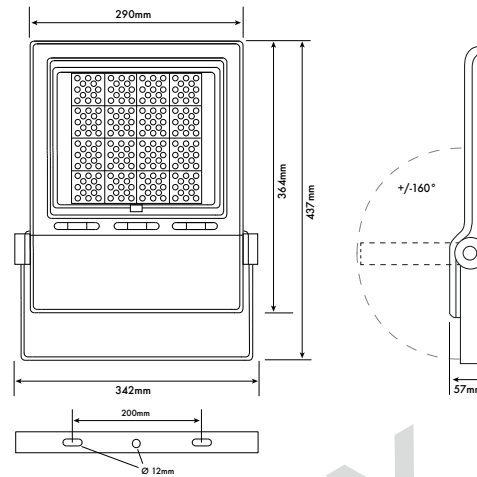
100~600W LED Floodlight

Mechanical Diagrams

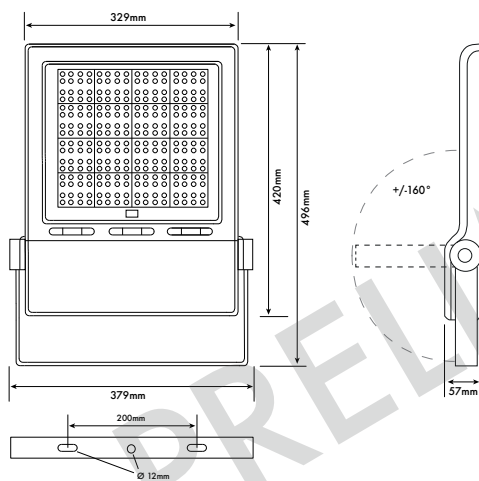
BLADE2 100W



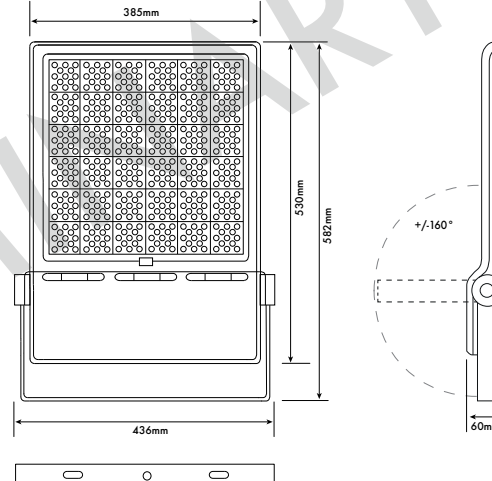
BLADE2 150W



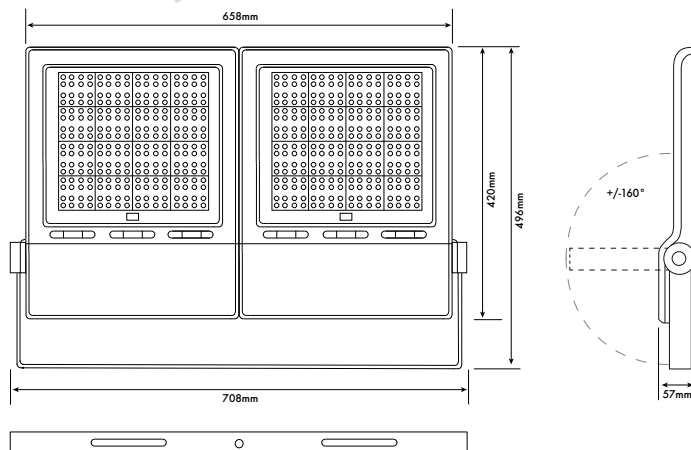
BLADE2 200W



BLADE2 240W & 300W



BLADE2 400W



PowerLed
Orion House
Calleva Park
Aldermaston
Berkshire
RG7 8SN

Contact:
Tel: 0118 9703856
enquiries@powerled.uk.com
www.powerled.uk.com

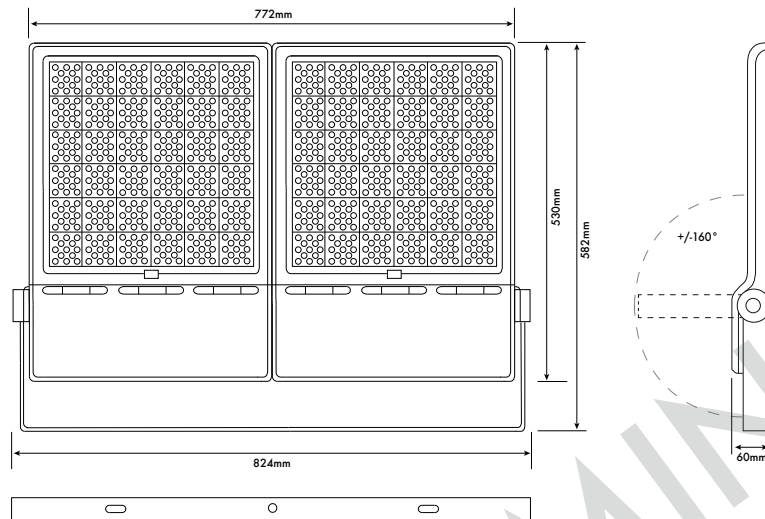




BLADE2

100~600W LED Floodlight

BLADE2 500W & 600W



PowerLed
Orion House
Calleva Park
Aldermaston
Berkshire
RG7 8SN

Contact:
Tel: 0118 9703856
enquiries@powerled.uk.com
www.powerled.uk.com

