

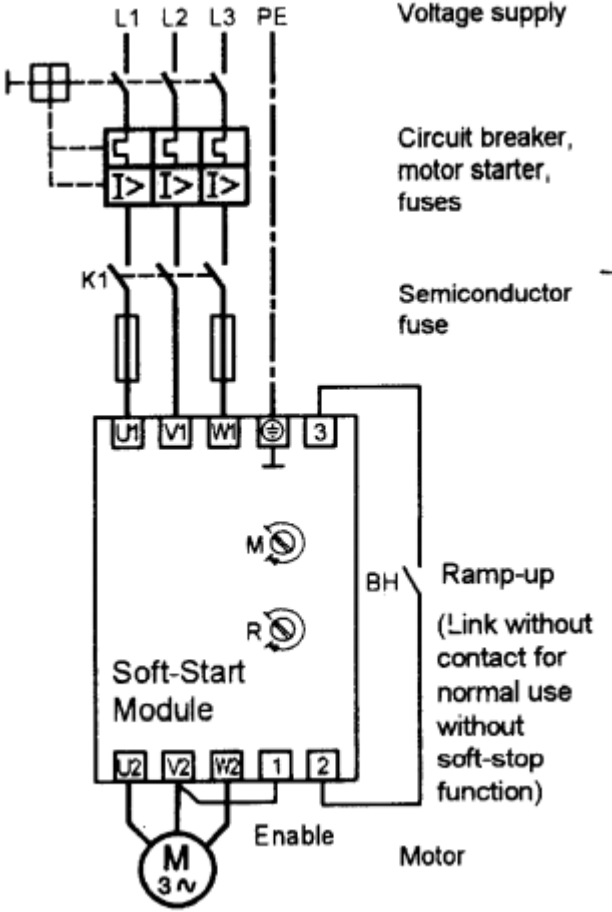
Datasheet

RS 5.5 A Soft Starter, 2.2 kW, 380 → 460 V ac

RS Stock number 212-8683



Diagram





The problems associated with starting shock of DOL started induction motors can be cured with the help of RS soft-start modules. Two module sizes are available for use with three-phase induction motors up to 5.5 kW. The compact size and easy connection of these modules makes retrofitting simple. The adjustments of switch-on torque and run-up ramp time enable easy adjustment for a particular application.

This gives the user the benefits of:

- Mechanical: Reduced cost of transmission components
- Low adjustable starting torque
- Conveyor: falling over, banging or slipping of products eliminated
- Electrical: Reduced starting current

Adjustment ranges

Designation, Meaning			Explanation
M - Switch-on torque	0 %	100 %	Rated torque
R - Ramp	10 s	1 s	

Indicating LED's

	dark	light
ME - Monitoring signal "In operation"	Fault, not enabled, no supply	In operation
MH - Monitoring signal "End of ramp"	Any other condition	End of ramp

Technical Data

Rated Voltage	3AC 400 V +10-15 %	
Rated Frequency	50/60 Hz ±2 %	
Operating Temperature Range	0...+40 °C	
Storage Temperature Range	-40...70 °C	
Stock No.	212-8683	212-8699
Rated Motor Power	2.2 kW	5.5 kW
Min. Motor Power	0.55 kW	1.1 kW
Rated current	5.5 A	12 A
Max starting duty* at 4 I _N		
- side-by-side	10 %	4 %
- intermediate spacing 10 mm	12 %	5 %
IEC 947-4-2:		
- Utilization category	5.5 A: AC-53b: 4-10: 90	12 A: AC-53b: 4-10: 240
- Form designation (1 ≙ soft start with soft stop)	1	1
- Degree of pollution (2 ≙ non-conductive pollution except for temporary condensation)	2	2
Loss after ramp up	3 W	3 W
Semiconductor fuse size and recommended RS stock no.	20 A 422-551	35 A 421-520
Weight (approx.)	450 g	450 g
Dimensions: Height	75 mm	75 mm