



### Main

Range of product	Harmony XVM
Product or component type	Pre-assembled and pre-cabled indicator bank
Beacon or indicator bank unit type	2 illuminated units
Component name	XVM
Light source	Green super bright LED with BA 15d base steady signalling Red super bright LED with BA 15d base steady signalling
Light block color	Red/Green
[Us] rated supply voltage	120 V AC
Indicator bank base type	Base without buzzer
Mounting mode	Vertical

### Complementary

Kit composition	Plastic fixing plate Base unit Aluminium support tube Cover
Mounting diameter	45 mm
Connections - terminals	Flying leads : 1 x 0.325 mm <sup>2</sup> AWG 22
Marking	CE
Mounting support	Aluminium tube
Short-circuit protection	0.2 A
[Ui] rated insulation voltage	250 V conforming to IEC 60947-1
Nominal voltage limit	0.85...1.1 Un conforming to IEC 60947-5-1
Current consumption	16 mA on steady LED unit
[Uimp] rated impulse withstand voltage	4 kV conforming to IEC 60947-1
Product weight	0.395 kg

## Environment

IP degree of protection	IP54 in vertical position conforming to IEC 60529
Product certifications	CCC
Standards	EN/IEC 60947-1 EN/IEC 60947-5-1
Ambient air temperature for storage	-25...70 °C
Ambient air temperature for operation	-10...50 °C
Overvoltage category	Class I conforming to IEC 61140 Class I conforming to IEC 60947-1 Class I conforming to IEC 60947-5-1
Protective treatment	TC

## Offer Sustainability

Sustainable offer status	Green Premium product
RoHS (date code: YYWW)	Compliant - since 0814 - Schneider Electric declaration of conformity <a href="#">Schneider Electric declaration of conformity</a>
REACH	Reference not containing SVHC above the threshold <a href="#">Reference not containing SVHC above the threshold</a>
Product environmental profile	Available
Product end of life instructions	Need no specific recycling operations

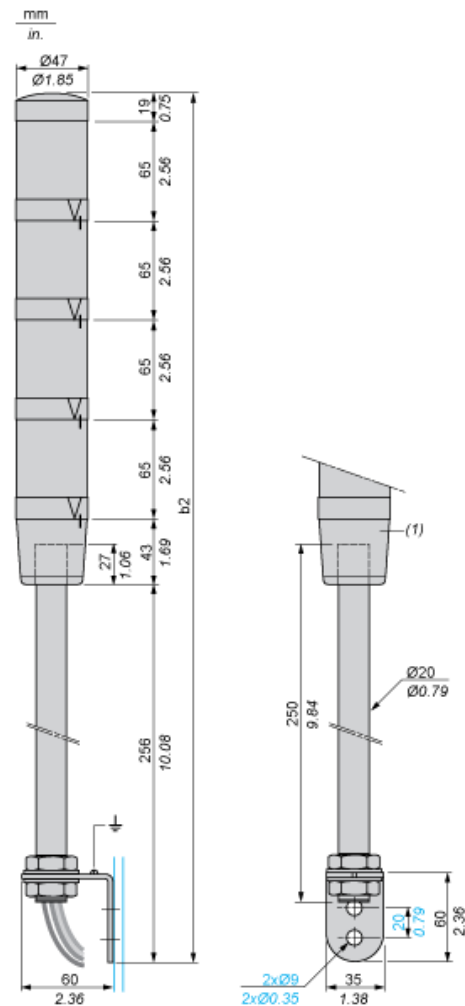
## Contractual warranty

Warranty period	18 months
-----------------	-----------

Pre-Assembled and Pre-Cabled Tower Light with Fixing Base for Mounting on Vertical Support (Support Tube + Metal Bracket)

Dimensions

Below drawing shows the maximum configuration of the product. Select the number of stages according to the product characteristics in order to get b2 dimension.



(1) Base unit with or without buzzer.

Number of illuminated units	b2 in mm	b2 in in.
1 unit	383	15.08
2 units	448	17.64
3 units	513	20.20
4 units	578	22.76

---

Pre-Assembled and Pre-Cabled Tower Light

---

Wire Colors

4th illuminated unit: yellow wire

3rd illuminated unit: green wire

2nd illuminated unit: white wire

1st illuminated unit: blue wire

Common: black wire

Buzzer (if integrated in base unit): grey wire