

LUBRICATORS

SERIES MX

MX2 ports: G3/8, G1/2, G3/4 - MX3 ports: G3/4, G1
 Modular
 Bowl with technopolymer cover and bayonet-type mounting



- Regulation screw
- Ability to refill the oil even with system under pressure
- High flow
- Check of the oil level through plastic cover openings
- Bowl locking system reducing the risk of accidents

MX is the new series of air treatment components realized by Camozzi, characterized by a modern, linear and compact design, offering high performances. The perfect integration between metal alloys and technopolymers has allowed the realization of a reliable product, light and strong at the same time. Thanks to a new concept of modularity, moreover, the mounting of components has become easier. These proportional lubricators enable a precision metering.

The Series MX has been realized to offer a multi-sector solution that guarantees saving in terms of installation time, space and costs.

General Data

Construction	Modular, compact
Materials	See TABLE OF MATERIALS on the following page
Ports	MX2: G3/8 - G1/2 - G3/4 MX3: G3/4 - G1
Oil capacity	MX2: 170 cm ³ MX3: 230 cm ³
Oil refilling	Even during use
Mounting	Vertical in-line Wall-mounting (by means of clamps)
Working temperature	-5°C ÷ 50°C up to 16 bar (with the dew point of the fluid lower than 2°C at the min. working temperature) -5°C ÷ 60°C up to 10 bar (with the dew point of the fluid lower than 2°C at the min. working temperature)
Oil for lubrication	Use ISO VG32 oils. Once applied, the lubrication should never be interrupted
Min. air consumption for lubrication at 1 bar	MX2: 17 l/min MX3: 50 l/min
Min. air consumption for lubrication at 6 bar	MX2: 38 l/min MX3: 90 l/min
Nominal flow	See FLOW DIAGRAMS on the following pages

LUBRICATORS
SERIES MX - CODING EXAMPLES

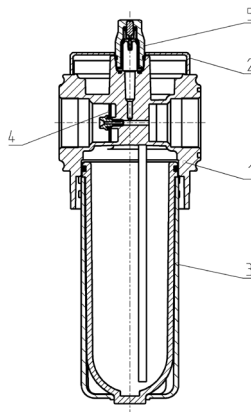
Coding Example

MX	2	-	1/2	-	L	00	-	LH
MX	SERIES							
2	SIZE 2 = G3/8 - G1/2 - G3/4 3 = G3/4 - G1							
1/2	PORT 3/8 = G3/8 1/2 = G1/2 3/4 = G3/4 1 = G1							
L	LUBRICATOR							
00	DESIGN TYPE 00 = Atomized oil							
LH	FLOW DIRECTION = From left to right (standard) LH = From right to left							

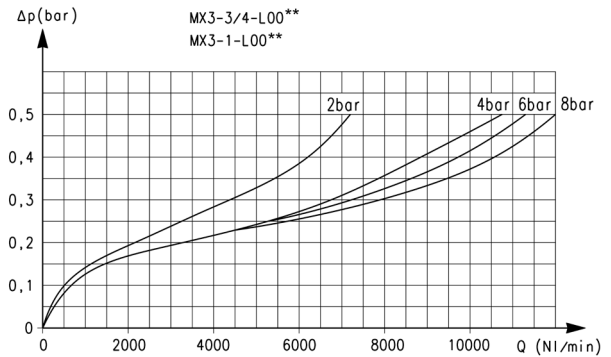
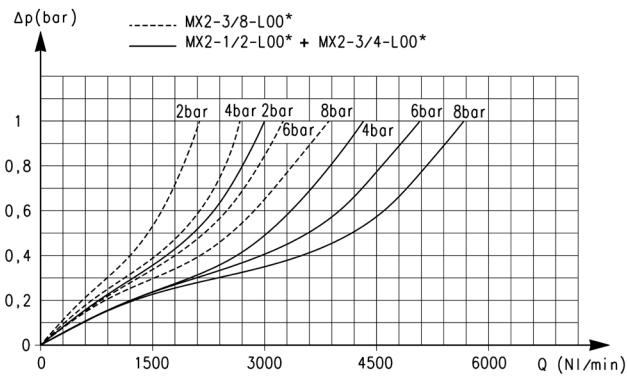
For the assembly of a single component with fixing flanges or wall-mounting, see the section "FRL Series MX Assembled".

Lubricators Series MX - materials

Parts	Materials
1 = Body	Aluminium
2 = Covering	Polyacetal
3 = Bowl/bowl cover	Polycarbonate/Polyamide
4 = Diaphragm	NBR
5 = Visual indicator	Polyamide
Seals	NBR



Flow diagrams



* Reference diagram for MX2

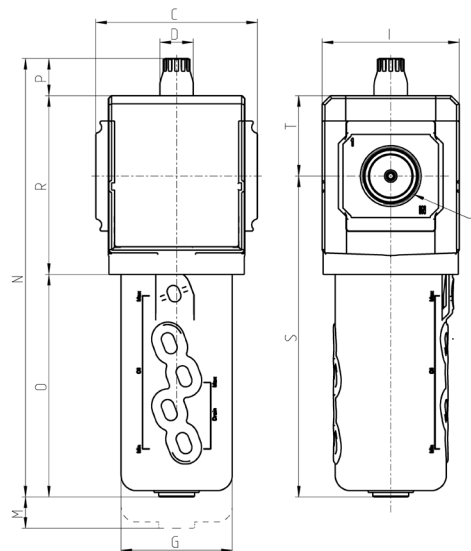
Δp = Pressure drop (bar)
Q = Flow (NL/min)

** Reference diagram for MX3

Δp = Pressure drop (bar)
Q = Flow (NL/min)

Lubricators Series MX - dimensions

LU01 = Lubricator



Mod.	A	C	D	G	I	M	N	O	P	R	S	T	Weight [kg]
MX2-3/8-L00	G3/8	70	18,5	55,5	68	84,5	210	104,5	20,5	85	152	37,5	0,5
MX2-1/2-L00	G1/2	70	18,5	55,5	68	84,5	210	104,5	20,5	85	152	37,5	0,5
MX2-3/4-L00	G3/4	70	18,5	55,5	68	84,5	210	104,5	20,5	85	152	37,5	0,5
MX3-3/4-L00	G3/4	89,5	18,5	61,5	76	100	243	123	21	99	178	44,5	0,8
MX3-1-L00	G1	89,5	18,5	61,5	76	100	243	123	21	99	178	44,5	0,8

Rapid clamp kit



Materials:
 Technopolymer clamp, NBR
 O-ring, zinc-plated steel
 nuts and screws.

The MX2-X kit is supplied with:
 1x Rapid clamp,
 1x O-ring OR 3125 *;
 2x Hexagonal nuts M5;
 2x Screws M5x69.

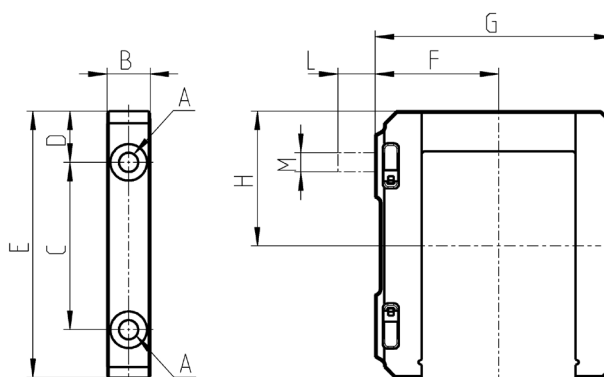
The MX2-Z kit is supplied with:
 1x Rapid clamp,
 1x O-ring OR 3125 *;
 1x Hexagonal nut M5;
 1x Screw M5x69;
 1x Screw M5x85 for wall fixing.

*It can be ordered separately (cod. 160-39-11/19).

The MX3-X kit is supplied with:
 1x Rapid clamp,
 1x O-ring OR 38X2,8 **;
 2x Square nuts M6;
 2x Screws M6x75.

The MX3-Z kit is supplied with:
 1x Rapid clamp,
 1x O-ring OR 38X2,8 **;
 1x Square nut M6,
 1z Screw M6x75;
 1x Screw M6x90 for wall fixing.

**It can be ordered separately (OR 38X2,8 NBR).



Mod.	A	B	C	D	E	F	G	H	L	M	Notes
MX2-X	5,2	12	46	14	73,5	37,5	70,5	37	-	-	
MX2-Z	5,2	12	46	14	73,5	37,5	70,5	37	14	M5	Kit with wall fixing screw
MX3-X	6,2	14	54	16,5	86	40	77	43,5	-	-	
MX3-Z	6,2	14	54	16,5	86	40	77	43,5	13	M6	Kit with wall fixing screw

Rapid clamp kit with wall fixing brackets



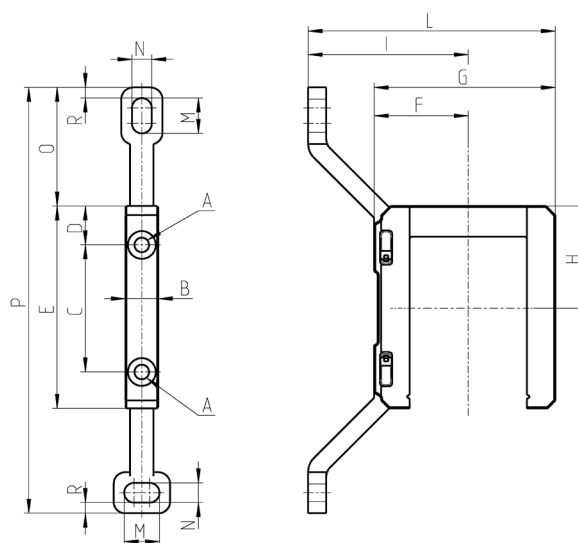
Materials:
 technopolymer clamp, NBR
 O-ring, zinc-plated steel
 nuts and screws.

The MX2-Y kit is supplied with:
 1x rapid wall clamp;
 1x O-ring OR 3125 **;
 2x hexagonal nuts;
 2x screws M5x69.

** It can be ordered separately (cod. 160-39-11/19).

The kit MX3-Y is supplied with:
 1x wall rapid clamp;
 1x O-ring 38X2,8 **;
 2x square nuts M6;
 2x screws M6x75.

** It can be also separately ordered (OR 38X2,8 NBR).



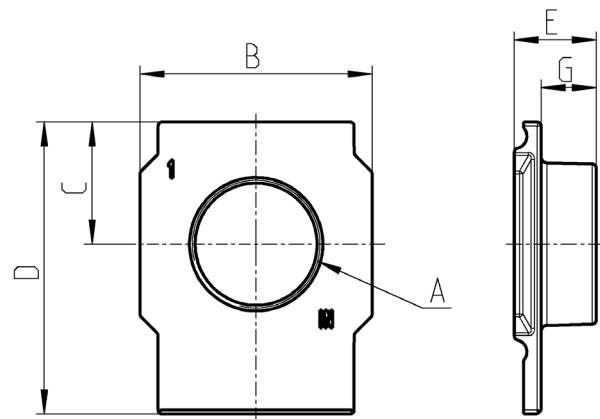
Mod.	A	B	C	D	E	F	G	H	I	L	M	N	O	P	R
MX2-Y	5,2	12	46	14	73,5	32,5	70,5	37	70,5	103	12	6,5	42	152	4
MX3-Y	6,2	14	54	16,5	86	40	77	43,5	68	105	15	8,4	50,5	181	4,5

Terminal flanges (IN/OUT)



Supplied with:
 1x flange INLET side
 1x flange OUTLET side

Materials:
 painted aluminium flanges.

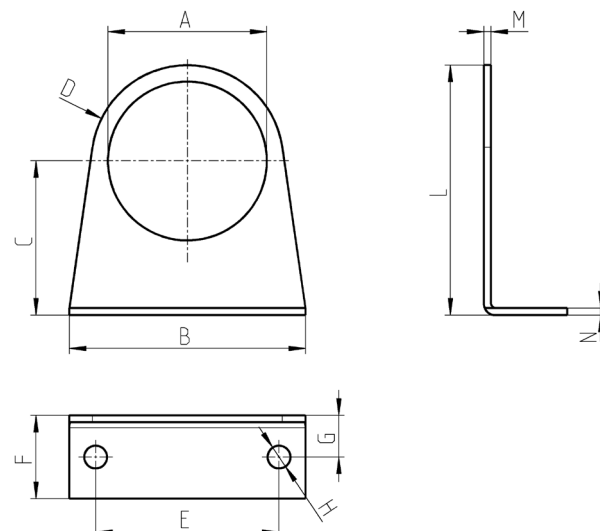


Mod.	A	B	C	D	E	G
MX2-3/8-FL	G3/8	50	26,5	63,5	17	11
MX2-1/2-FL	G1/2	50	26,5	63,5	17	11
MX2-3/4-FL	G3/4	50	26,5	63,5	17	11
MX3-3/4-FL	G3/4	58	30,5	73	20,5	13,5
MX3-1-FL	G1	58	30,5	73	20,5	13,5

Fixing bracket for regulators



Supplied with:
 1x zinc-plated steel bracket

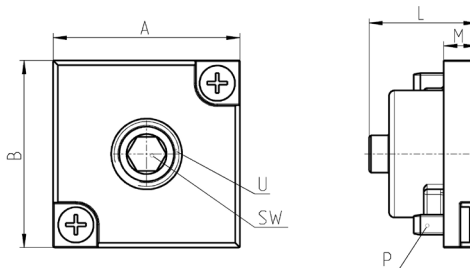


Mod.	A	B	C	D	E	F	G	H	L	M	N
MX2-S	Ø47,2	73	60,5	R29,5	54	25	15	Ø6,2	90	2,5	2,5
MX3-S	Ø57,2	85	55,5	R34,5	66	30	15	Ø8,2	90	2,5	2,5

Block for pressure gauge fixing



Supplied with:
 1x block
 1x grain
 2x screws
 1x seal



Mod.	A	B	L	M	P	U	SW
MX2-R26/1-P	28	28	16,5	5	M3x7	1/8	5
MX3-R26/1-P	28	28	16,5	5	M3x7	1/4	6

AIR TREATMENT

9

Built-in pressure gauge



Supplied with:
 1x pressure gauge
 1x seal
 2x screws

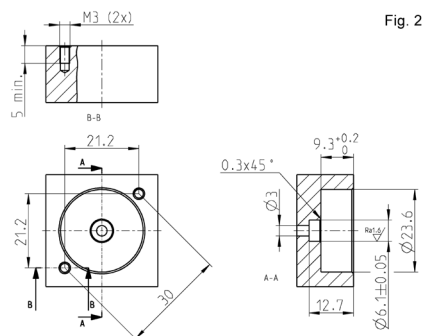
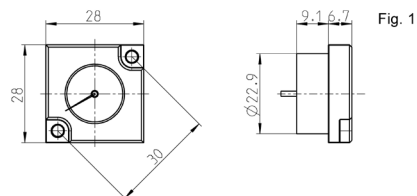


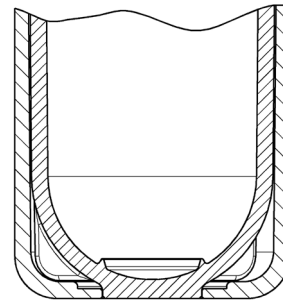
Fig. 1 = Pressure gauge
 Fig. 2 = Seat

Mod.	Range
MX3-R34/W-P	0 ÷ 4 bar
MX3-R31/W-P	0 ÷ 6 bar
MX3-R32/W-P	0 ÷ 10 bar
MX3-R30/W-P	0 ÷ 12 bar

Closed bowl

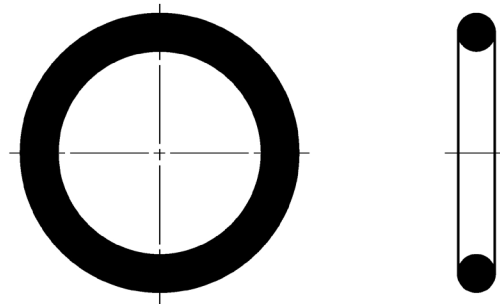


Assembled with Activated carbon filter.



Mod. filter	Closed bowl
N20...-FCA	N2-L71
MC104-FCA	MC1-L71
MC202-FCA	MC2-L71
MC238-FCA	MC2-L71
MX2...-FCA	MX2-L2-P
MX3...-FCA	MX3-L2-P
MD1-FCA..	MD1-FCASP01

O-ring for assembling



Mod.	O-ring	For assembly
160-39-11/19	OR 3125	MX2
OR 38x2,8 NBR	OR 38x2,8	MX3