



ENGLISH

Datasheet

AC Axial Fan

RS Stock number 619-6983



Frame

Diecast Aluminium

Impeller

PBT, UL94V-0 Thermoplastic

Finger Guard: G80 – 18

Plastic Guard: G80P

Aluminium Filter: WMG80M

Filter Kit- GRM80-30, GRM80-45

Specifications:

| RS Part Number | Orion Part Number | Speed (RPM) | Airflow (CFM) | Noise (db) | Volts (AC) | Voltage Range | Watts | Connection Type |
|----------------|-------------------|-------------|---------------|------------|------------|---------------|-------|-----------------|
| 6196983 | | 3000 | 31 | 36 | 115 | 80~130 | 12 | Terminal |
| 6196977 | | 3000 | 31 | 36 | 115 | 80~130 | 12 | Terminal |
| 6196999 | | 3000 | 31 | 36 | 115 | 80~130 | 12 | Lead Wire |
| 6197015 | | 3000 | 31 | 36 | 230 | 160~260 | 12 | Terminal |
| 6197009 | | 3000 | 31 | 36 | 230 | 160~260 | 12 | Lead Wire |

*(20): Indicates Environmentally Protective Coating

Data Tolerance +/- 10%



ENGLISH

Specifications:

Motor

Shaded Pole
Impedance Protected

Dielectric Strength

1 minute at 1500 V ac, 50/60 Hz

Life Expectancy (L10)

Ball Bearing 60,000 hours

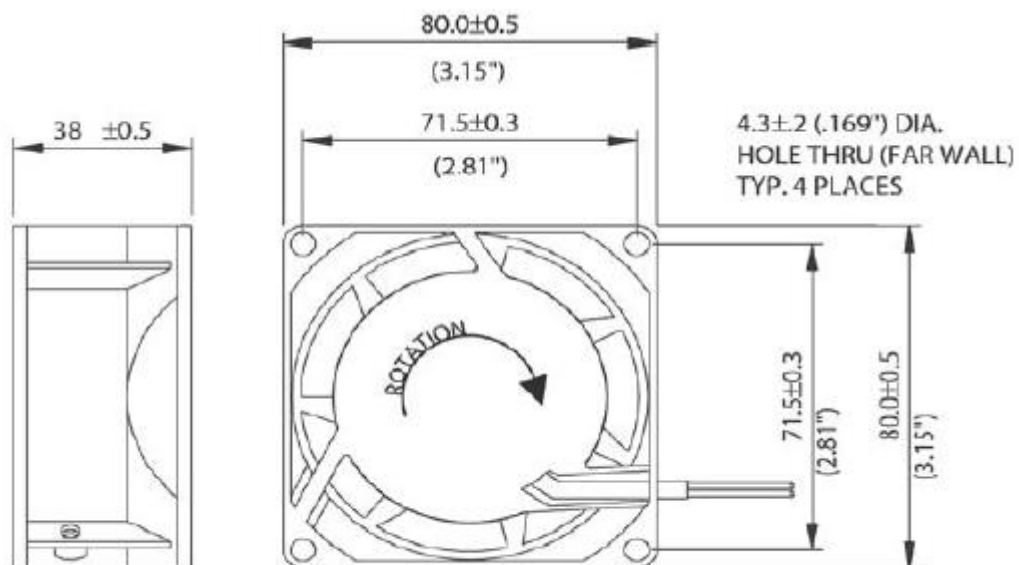
Operating Temperature

-20C ~ +80C

Safety Approvals

UL/CUL, TUV, CE

Dimensions (mm):



*Drawing for Dimensional Reference Only