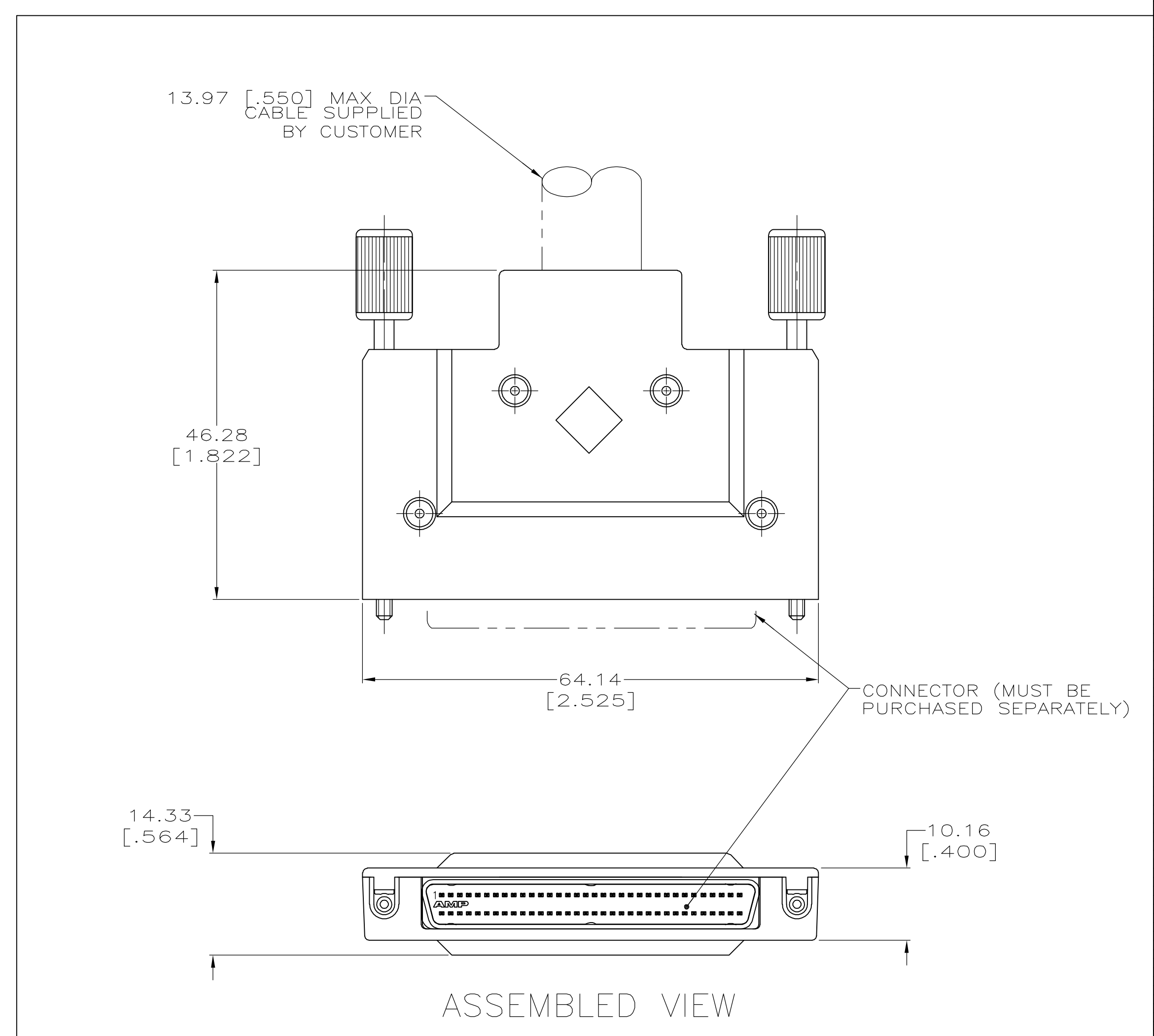
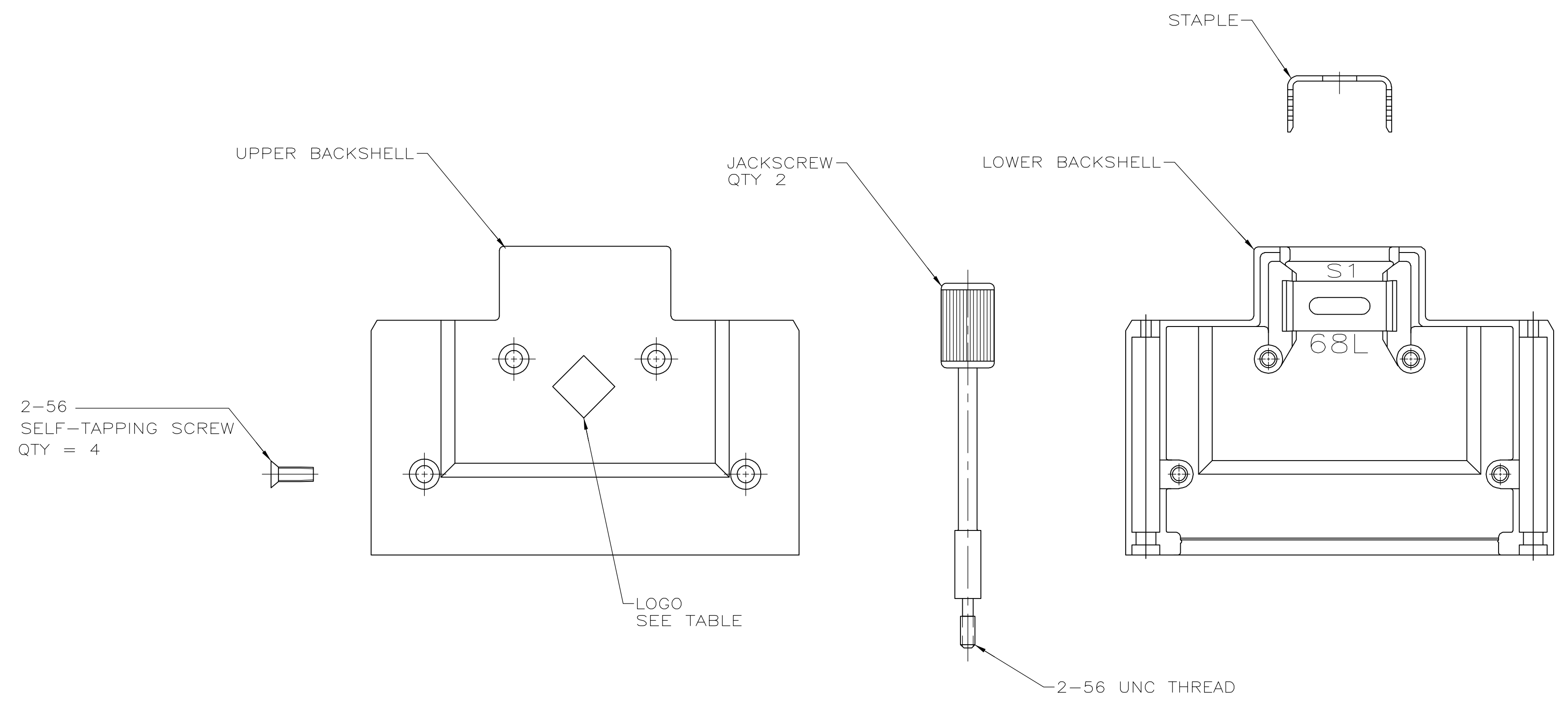


- ① BACKSHELL: ZINC PER ASTM B86.
- ② STAPLE: CARBON STEEL PER ASTM A109.
- ③ SCREW: STAINLESS STEEL.
- ④ 1.27μm [.000050] MIN TIN OVER 1.27μm [.000050] MIN NICKEL.
- ⑤ STAINLESS STEEL & PVC, BLACK.



NO	⑤	-	5786152-3
LOGO	JACKSCREW	FINISH	PART NUMBER

THIS DRAWING IS A CONTROLLED DOCUMENT.		OWN B. MCMASTER 20JUN05	20JUN05	Tyco Electronics Corporation Harrisburg, Pa 17105-3608
DIMENSIONS: mm(INCHES)		CHK S. SHUEY 20JUN05	20JUN05	
TOLERANCES UNLESS OTHERWISE SPECIFIED:		APVD S. SHUEY 20JUN05	NAME	BACKSHELL KIT, UNASSEMBLED, 68 POSN, .050 SERIES AMPLIMITE TM
0 PLC ± - 1 PLC ± - 2 PLC ± 0.51 [.020] 3 PLC ± - 4 PLC ± - ANGLES ± -		PRODUCT SPEC	APPLICATION SPEC	RESTRICTED TO
MATERIAL FINISH		WEIGHT	SIZE A1	SCALE 2:1
① ② ③ ④		CUSTOMER DRAWING	④=5786152	SHEET 1 OF 1 REV A