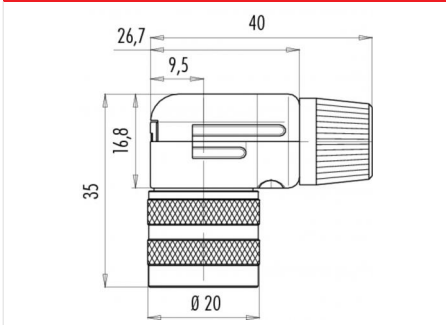


Product	Polzahl: 7, Winkeldose, Kabeldurchlass 6 - 8 mm, Metallausführung, schirmbar, versilberte Kontakte
Area	M16 IP40 Series 682
Article number	99 0146 12 07

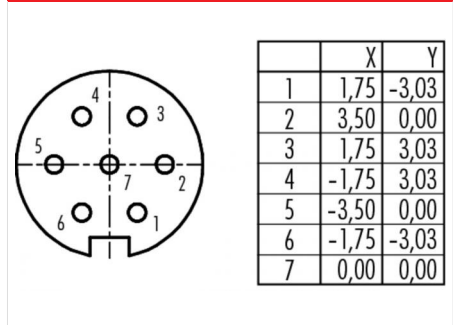
Illustration



Scale drawing



Contact Arrangement



You can find the item description on the next page.

Technical data

General features

Connector Design	female angled connector
Connector locking system	bolted
Termination	solder
Wire gauge (mm)	0,75 mm ²
Wire gauge (AWG)	20
Cable outlet	6 - 7,8 mm
Upper temperature	85 °C
Lower temperature	-40 °C

Electrical parameters

Rated voltage	125 V
Rated impulse voltage	800 V
Pollution degree	1
Overvoltage category	I
Material group	III
Rated current (40°C)	5 A
Volume resistivity	≤ 5 mΩ
EMV compliance	shielded
Degree of protection	IP40

Material

Material of contact	CuSn (Bronze)
Contact plating	Ag (silver)
Material of contact body	PBT (UL 94 V-0)

Product **Polzahl: 7, Winkeldose, Kabeldurchlass 6 - 8 mm, Metallausführung, schirmbar, versilberte Kontakte**

Area **M16 IP40 Series 682**
Article number **99 0146 12 07**

Item description

