



Main

| | |
|---------------------------|---|
| Range of product | Preventa Safety automation |
| Product or component type | Preventa safety module |
| Safety module name | XPSUS |
| Safety module application | For electrical monitoring of two-hand control stations Monitoring antivalent contacts For emergency stop, guard and light curtain monitoring For enabling switch monitoring |
| Function of module | Emergency stop button with 2 NC contacts Guard monitoring with 1 or 2 limit switches Monitoring 2 PNP sensors Magnetic switch monitoring Light curtain monitoring RFID switch Monitoring of electro-sensitive protection equipment (ESPE) Enabling switch monitoring Proximity sensor monitoring Monitoring two-hand control station |
| Safety level | Can reach PL e/category 4 conforming to ISO 13849-1 Can reach SILCL 3 conforming to IEC 62061 Can reach SIL 3 conforming to IEC 61508 |
| Safety reliability data | MTTFd > 30 years conforming to ISO 13849-1 Dcavg >= 99 % conforming to ISO 13849-1 PFHd = 1.61E-09 conforming to ISO 13849-1 HFT = 1 conforming to IEC 62061 PFHd = 1.61E-09 conforming to IEC 62061 SFF > 99% conforming to IEC 62061 HFT = 1 conforming to IEC 61508-1 PFHd = 1.61E-09 conforming to IEC 61508-1 SFF > 99% conforming to IEC 61508-1 Type = B conforming to IEC 61508-1 |
| Electrical circuit type | NC pair PNP pair Antivalent pair OSSD pair |
| Connections - terminals | Removable spring terminal block, 0.2...2.5 mm ² solid or flexible Removable spring terminal block, 0.25...2.5 mm ² flexible with ferrule single conductor Removable spring terminal block, 0.2...1.5 mm ² solid or flexible twin conductor Removable spring terminal block, 2 x 0.25...1 mm ² flexible with ferrule without cable end, with bezel Removable spring terminal block, 2 x 0.5...1.5 mm ² flexible with ferrule with cable end, with bezel |
| [Us] rated supply voltage | 48...240 V AC/DC - 10...10 % |

The information provided in this documentation contains general descriptions and/or technical characteristics of the performance of the products contained herein. This documentation is not intended as a substitute for and is not to be used for determining suitability or reliability of these products for specific user applications. It is the duty of any such user or integrator to perform the appropriate and complete risk analysis, evaluation and testing of the products with respect to the relevant specific application or use thereof. Neither Schneider Electric Industries SAS nor any of its affiliates or subsidiaries shall be responsible or liable for misuse of the information contained herein.

Complementary

| | |
|---|--|
| Synchronisation time between inputs | 0.5 s 2 s 4 s |
| Type of start | Automatic/Manual/Monitored |
| Power consumption in W | 3 W 48 V DC |
| Power consumption in VA | 8.5 VA 240 V AC 50/60 Hz |
| Input protection type | Internal, electronic |
| Auxiliary contact composition | 2 NO |
| Number of inputs | 2 safety input 24 V DC 5 mA |
| Maximum line resistance | 500 Ohm |
| Input compatibility | Normally closed circuit conforming to ISO 14119 XC limit switch conforming to ISO 14119 Mechanical contact conforming to ISO 14119 Normally closed circuit conforming to ISO 13850 Antivalent pair conforming to ISO 14119 OSSD pair conforming to IEC 61496-1-2 Two-hand control conforming to EN 574/ISO 13851-III A 3-wire proximity sensors PNP |
| Output type | Relay output : 250 V AC, AC-1, B300 for normally open relay contact Relay output : 250 V AC, AC-15, D300 for normally closed relay contact Relay output : 24 V DC, DC-1, R300 for normally open relay contact Relay output : 24 V DC, DC-13, R300 for normally closed relay contact |
| [Ie] rated operational current | 5 A AC-1 for normally open relay contact 3 A AC-15 for normally open relay contact 5 A DC-1 for normally open relay contact 3 A DC-13 for normally open relay contact 3 A AC-1 for normally closed relay contact 1 A AC-15 for normally closed relay contact 3 A DC-1 for normally closed relay contact 1 A DC-13 for normally closed relay contact |
| Number of outputs | 3 on/off configurable pulsed output |
| Input/output type | Semiconductor pulsed diagnostic output 24 V DC, 20 mA Z1, not safety-related |
| [Ith] conventional free air thermal current | 8 A |
| Associated fuse rating | 10 A gG for NO relay output circuit conforming to IEC 60947-1 |
| Minimum output current | 10 mA for relay output |
| Minimum output voltage | 12 V for relay output |
| Maximum response time on input open | 20 Ms |
| [Ui] rated insulation voltage | 250 V (pollution degree 2) conforming to EN/IEC 60947-1 |
| [Uimp] rated impulse withstand voltage | 4 KV overvoltage category II conforming to EN/IEC 60947-1 |
| Local signalling | LED (green) for power ON LED (red) for error LED (yellow) for safety output status LED (yellow) for start input LED (yellow) for safety input S12 LED (yellow) for safety input S13 LED (yellow) for safety input S22 LED (yellow) for safety input S23 |
| Mounting support | 35 mm symmetrical DIN rail |
| Depth | 120 Mm |
| Height | 100 Mm |
| Width | 22.5 Mm |
| Net weight | 0.200 Kg |

Environment

| | |
|-------------------------------------|---|
| Standards | IEC 60947-5-1 IEC 61508-1 functional safety standard IEC 61508-2 functional safety standard IEC 61508-3 functional safety standard IEC 61508-4 functional safety standard IEC 61508-5 functional safety standard IEC 61508-6 functional safety standard IEC 61508-7 functional safety standard ISO 13849-1 functional safety standard IEC 62061 functional safety standard |
| Product certifications | TÜV CULus |
| IP degree of protection | IP20 (terminals) conforming to EN/IEC 60529 IP40 (housing) conforming to EN/IEC 60529 IP54 (mounting area) conforming to EN/IEC 60529 |
| Ambient air temperature for storage | -25...85 °C |
| Relative humidity | 5...95 % non-condensing |

Packing Units

| | |
|------------------|----------|
| Package 1 Weight | 289 G |
| Package 2 Weight | 320 G |
| Package 3 Weight | 5.457 Kg |

Offer Sustainability

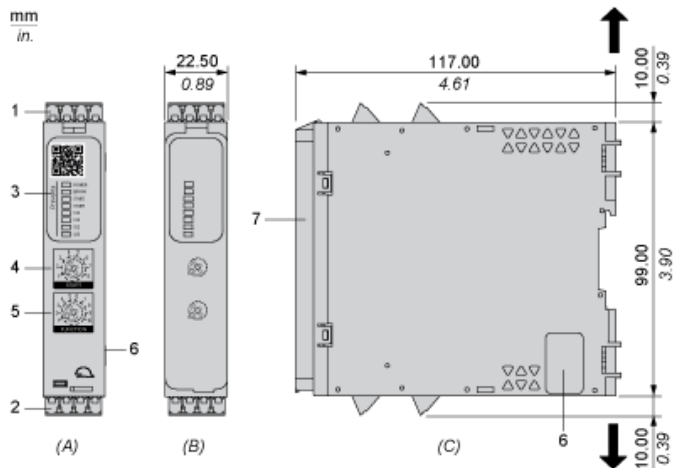
| | |
|----------------------------|---|
| Sustainable offer status | Green Premium product |
| REACH Regulation | REACH Declaration |
| EU RoHS Directive | Pro-active compliance (Product out of EU RoHS legal scope) EU RoHS Declaration |
| Mercury free | Yes |
| RoHS exemption information | Yes |
| China RoHS Regulation | China RoHS Declaration |
| Environmental Disclosure | Product Environmental Profile |
| Circularity Profile | End Of Life Information |
| WEEE | The product must be disposed on European Union markets following specific waste collection and never end up in rubbish bins |
| PVC free | Yes |

Contractual warranty

| | |
|----------|-----------|
| Warranty | 18 months |
|----------|-----------|

Dimensions

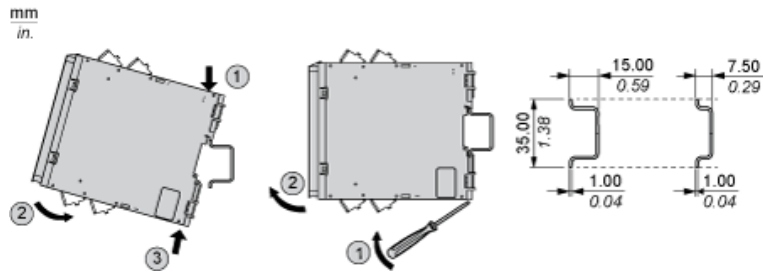
Front and Side Views



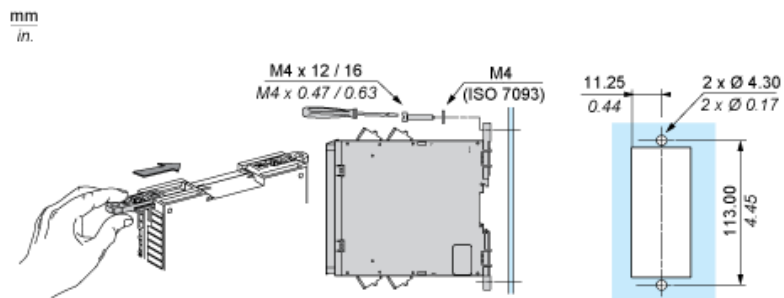
- (A) : Product drawing
- (B) : Spring Terminal
- (C) : Side view
- (1) : Removable terminal blocks, top
- (2) : Removable terminal blocks, bottom
- (3) : LED indicators
- (4) : Start function selector
- (5) : Function selector
- (6) : Connector for optional output extension module (lateral)
- (7) : Sealable transparent cover

| mm in. | 12.0 0.47 | | | | | |
|-----------------|--------------|------------|-----------|----------|-----------|--|
| mm ² | 0,2...2,5 | 0,25...2,5 | 0,2...1,5 | 0,25...1 | 0,5...1,5 | |
| AWG | 24...12 | 24...12 | 24...16 | 24...18 | 20...16 | |

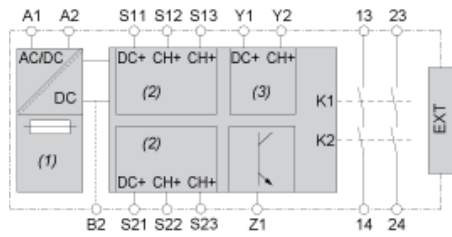
Mounting to DIN rail



Screw-mounting



Wiring Drawing



- (1) : A1-A2 (Power supply)
- (2) : S11-S12-S13-S21-S22-S23 (Single-channel safety input)
- (3) : Y1-Y2 (Start)
- 13-23: Output
- EXT :Connector for optional extension module
- B2 : Common ground terminal
- Z1 : Pulsed output for diagnostics, not safety-related

Product Life Status : **Commercialised**