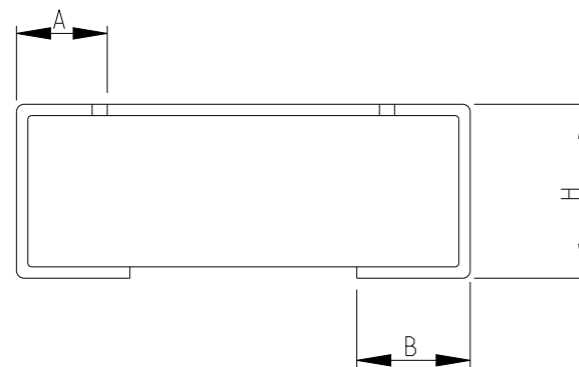
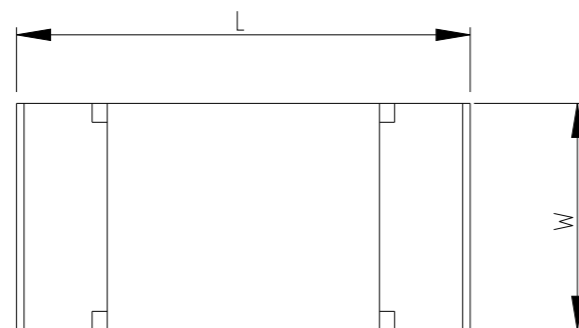
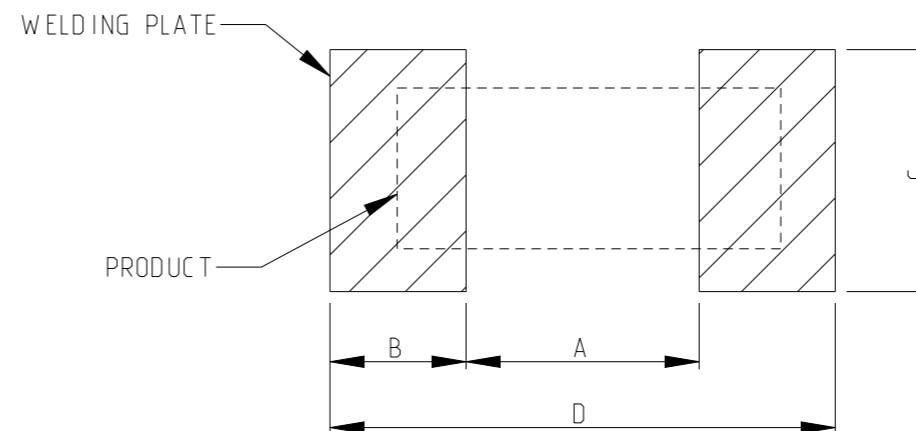


P	LTR	DESCRIPTION	DATE	DWN	APVD
	BA	NEW DRAWING	06FEB2026	CK	TG



RECOMMENDED LAND PATTERN



TEST BOARD CONSTRUCTION:

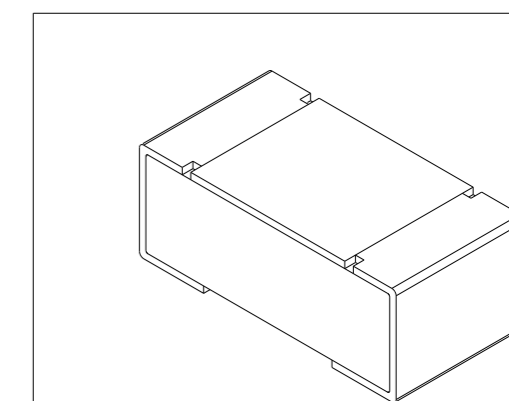
PCB THICKNESS : 1.6mm SINGLE SIDED.
COPPER LAYER THICKNESS : 32-36 μm

TYPE	SIZE (Inch)	A (mm)	B (mm)	C (mm)	D (mm)
CRGSP0201	0201	0.3±0.05	0.35±0.05	0.40±0.05	1.00±0.05

NOTES:

1. FOR FURTHER INFORMATION SEE DATA SHEET FOR CRGSP SERIES THICK FILM ANTI-SULPHUR PULSE CHIP RESISTOR

TYPE	SIZE (Inch)	L (mm)	W (mm)	H (mm)	A (mm)	B (mm)	UNIT WEIGHT (mg)
CRGSP0201	0201	0.60±0.03	0.30±0.03	0.23±0.03	0.12±0.05	0.15±0.05	0.19



RoHS Compliant

80:1

THIS DRAWING IS A CONTROLLED DOCUMENT.		DWN 06FEB2026 CHANDRA K		
DIMENSIONS: mm		CHK 06FEB2026 TRACY G		
TOLERANCES UNLESS OTHERWISE SPECIFIED:		APVD 06FEB2026 TRACY G	NAME THICK FILM ANTI-SULPHUR PULSE CHIP RESISTOR TYPE CRGSP 0201 SERIES	
0 PLC ±		PRODUCT SPEC	-	
1 PLC ±		APPLICATION SPEC	-	
2 PLC ±		WEIGHT	-	
3 PLC ±		CUSTOMER DRAWING	SIZE A3	CAGE CODE 00779
4 PLC ±			DRAWING NO. C=72213	RESTRICTED TO
ANGLES ±			SCALE 1:1	SHEET 1 OF 2
FINISH				REV BA

REVISIONS

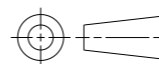
P	LTR	DESCRIPTION	DATE	DWN	APVD
-		SEE SHEET 1	-	-	-

SCHEDULE

TCPN	CATALOGUE NUMBER	PART DESCRIPTION	PART STATUS
72213-1	CRGSP0201FZR	CRGSP0201 1% ZR	PRODUCTION
72213-2	CRGSP0201F49R9	CRGSP0201 1% 49R9	PRODUCTION
72213-3	CRGSP0201F100R	CRGSP0201 1% 100R	PRODUCTION
72213-4	CRGSP0201F1K0	CRGSP0201 1% 1K0	PRODUCTION
72213-5	CRGSP0201F2K0	CRGSP0201 1% 2K0	PRODUCTION
72213-6	CRGSP0201F7K5	CRGSP0201 1% 7K5	PRODUCTION
72213-7	CRGSP0201F10K	CRGSP0201 1% 10K	PRODUCTION
72213-8	CRGSP0201F20K	CRGSP0201 1% 20K	PRODUCTION
72213-9	CRGSP0201F49K9	CRGSP0201 1% 49K9	PRODUCTION
1-72213-0	CRGSP0201F100K	CRGSP0201 1% 100K	PRODUCTION
1-72213-1	CRGSP0201F150K	CRGSP0201 1% 150K	PRODUCTION
1-72213-2	CRGSP0201F200K	CRGSP0201 1% 200K	PRODUCTION
1-72213-3	CRGSP0201F1M0	CRGSP0201 1% 1M0	PRODUCTION

THIS DRAWING IS A CONTROLLED DOCUMENT.

DIMENSIONS:
mm



TOLERANCES UNLESS OTHERWISE SPECIFIED:

0 PLC	±
1 PLC	±
2 PLC	±
3 PLC	±
4 PLC	±
ANGLES	±
FINISH	-

MATERIAL
-
-

DWN CHANDRA K 06FEB2026
 CHK TRACY G 06FEB2026
 APVD TRACY G 06FEB2026
 PRODUCT SPEC -
 APPLICATION SPEC -
 WEIGHT -



TE Connectivity

NAME THICK FILM ANTI-SULPHUR PULSE CHIP RESISTOR TYPE CRGSP 0201 SERIES

SIZE	CAGE CODE	DRAWING NO	RESTRICTED TO
A3	00779	G=72213	-

CUSTOMER DRAWING SCALE 1:1 SHEET 2 OF 2 REV BA