

Thermistor motor protection relay Compact evaluation unit 17.5 mm enclosure Spring-type terminal 1 change-over contact US = 24 V-240 V AC/DC Auto-reset suitable for bimetallic switch Supply =output voltage 1 LED (READY)



Figure similar

Product brand name	SIRIUS
Product category	SIRIUS 3RN2 thermistor motor protection
Product designation	Thermistor motor protection relay
Product type designation	3RN2

General technical data	
Display version LED	Yes
Power loss [W] for rated value of the current	
<ul style="list-style-type: none"> at AC in hot operating state at DC in hot operating state 	0.9 W 0.9 W
Insulation voltage	
<ul style="list-style-type: none"> for overvoltage category III according to IEC 60664 — with degree of pollution 3 rated value 	300 V
Degree of pollution	3
Surge voltage resistance rated value	4 kV
Protection class IP	IP20
Shock resistance	

<ul style="list-style-type: none"> • acc. to IEC 60068-2-27 	11g / 15 ms
Vibration resistance	
<ul style="list-style-type: none"> • acc. to IEC 60068-2-6 	10 ... 55 Hz: 0.35 mm
Mechanical service life (switching cycles)	
<ul style="list-style-type: none"> • typical 	10 000 000
Electrical endurance (switching cycles)	
<ul style="list-style-type: none"> • at AC-15 at 230 V typical 	100 000
Thermal current of the switching element with contacts maximum	5 A
Reference code acc. to DIN 40719 extended according to IEC 204-2 acc. to IEC 750	K
Reference code	
<ul style="list-style-type: none"> • acc. to IEC 81346-2:2009 	K
<ul style="list-style-type: none"> • acc. to DIN EN 61346-2 	K

Control circuit/ Control

Type of voltage of the control supply voltage	AC/DC
Control supply voltage at AC	
<ul style="list-style-type: none"> • at 50 Hz rated value 	24 ... 240 V
<ul style="list-style-type: none"> • at 60 Hz rated value 	24 ... 240 V
Control supply voltage at DC	
<ul style="list-style-type: none"> • rated value 	24 ... 240 V
Operating range factor control supply voltage rated value at DC	
<ul style="list-style-type: none"> • initial value 	0.85
<ul style="list-style-type: none"> • Full-scale value 	1.1
Operating range factor control supply voltage rated value at AC at 50 Hz	
<ul style="list-style-type: none"> • initial value 	0.85
<ul style="list-style-type: none"> • Full-scale value 	1.1
Operating range factor control supply voltage rated value at AC at 60 Hz	
<ul style="list-style-type: none"> • initial value 	0.85
<ul style="list-style-type: none"> • Full-scale value 	1.1
Inrush current peak	
<ul style="list-style-type: none"> • at 24 V 	0.3 A
<ul style="list-style-type: none"> • at 240 V 	8 A
Duration of inrush current peak	
<ul style="list-style-type: none"> • at 24 V 	0.15 ms
<ul style="list-style-type: none"> • at 240 V 	0.15 ms

Measuring circuit

Buffering time in the event of power failure minimum	40 ms
---	-------

Precision

Relative metering precision	9 %
-----------------------------	-----

Auxiliary circuit

Material of switching contacts	AgSnO ₂
Number of NC contacts <ul style="list-style-type: none"> • for auxiliary contacts 	0
Number of NO contacts <ul style="list-style-type: none"> • for auxiliary contacts 	0
Number of CO contacts <ul style="list-style-type: none"> • for auxiliary contacts 	1

Main circuit

Operating frequency rated value	50 ... 60 Hz
---------------------------------	--------------

Outputs

Ampacity of the output relay at AC-15 <ul style="list-style-type: none"> • at 250 V at 50/60 Hz 	3 A
Ampacity of the output relay at DC-13 <ul style="list-style-type: none"> • at 24 V • at 125 V 	1 A 0.2 A
Continuous current of the DIAZED fuse link of the output relay	6 A

Electromagnetic compatibility

Conducted interference <ul style="list-style-type: none"> • due to burst acc. to IEC 61000-4-4 • due to conductor-earth surge acc. to IEC 61000-4-5 • due to conductor-conductor surge acc. to IEC 61000-4-5 	2 kV (power ports) / 1 kV (signal ports) 2 kV (line to ground) 1 kV (line to line)
Electrostatic discharge acc. to IEC 61000-4-2	6 kV contact discharge / 8 kV air discharge

Galvanic isolation

Design of the electrical isolation	galvanic
Galvanic isolation <ul style="list-style-type: none"> • between entrance and outlet • between the voltage supply and other circuits 	Yes No

Connections/Terminals

Product function <ul style="list-style-type: none"> • removable terminal for auxiliary and control circuit 	Yes
Type of electrical connection	Push-in terminal
Type of connectable conductor cross-sections <ul style="list-style-type: none"> • solid • finely stranded with core end processing • finely stranded without core end processing 	0.5 ... 4 mm ² 0.5 ... 2.5 mm ² 0.5 ... 4 mm ²

<ul style="list-style-type: none"> • at AWG conductors solid 	20 ... 12
<ul style="list-style-type: none"> • at AWG conductors stranded 	20 ... 12
Connectable conductor cross-section	
<ul style="list-style-type: none"> • solid 	0.5 ... 4 mm ²
<ul style="list-style-type: none"> • finely stranded with core end processing 	0.5 ... 2.5 mm ²
<ul style="list-style-type: none"> • finely stranded without core end processing 	0.5 ... 4 mm ²
AWG number as coded connectable conductor cross section	
<ul style="list-style-type: none"> • solid 	20 ... 12
<ul style="list-style-type: none"> • stranded 	20 ... 12

Installation/ mounting/ dimensions

Mounting position	any
Mounting type	screw and snap-on mounting onto 35 mm standard mounting rail
Height	100 mm
Width	17.5 mm
Depth	90 mm
Required spacing	
<ul style="list-style-type: none"> • with side-by-side mounting <ul style="list-style-type: none"> — forwards — Backwards — upwards — downwards — at the side 	0 mm
	0 mm
	0 mm
	0 mm
	0 mm
<ul style="list-style-type: none"> • for grounded parts <ul style="list-style-type: none"> — forwards — Backwards — upwards — at the side — downwards 	0 mm
	0 mm
	0 mm
	0 mm
	0 mm
<ul style="list-style-type: none"> • for live parts <ul style="list-style-type: none"> — forwards — Backwards — upwards — downwards — at the side 	0 mm
	0 mm
	0 mm
	0 mm
	0 mm

Ambient conditions

Installation altitude at height above sea level	
<ul style="list-style-type: none"> • maximum 	2 000 m
Ambient temperature	
<ul style="list-style-type: none"> • during operation 	-25 ... +60 °C
<ul style="list-style-type: none"> • during storage 	-40 ... +85 °C

- during transport

-40 ... +85 °C

Relative humidity

- during operation

70 %

Certificates/approvals

General Product Approval

EMC

Declaration of
Conformity



CCC



CSA



UL



C-Tick



EG-Konf.

Test

Marine / Shipping

other

Certificates

[Type Test
Certificates/Test
Report](#)



LRS



PRS



DNVGL.COM/AF

[Confirmation](#)

Further information

Information- and Downloadcenter (Catalogs, Brochures,...)

<http://www.siemens.com/industrial-controls/catalogs>

Industry Mall (Online ordering system)

<https://mall.industry.siemens.com/mall/en/en/Catalog/product?mfb=3RN2000-2AW30>

Cax online generator

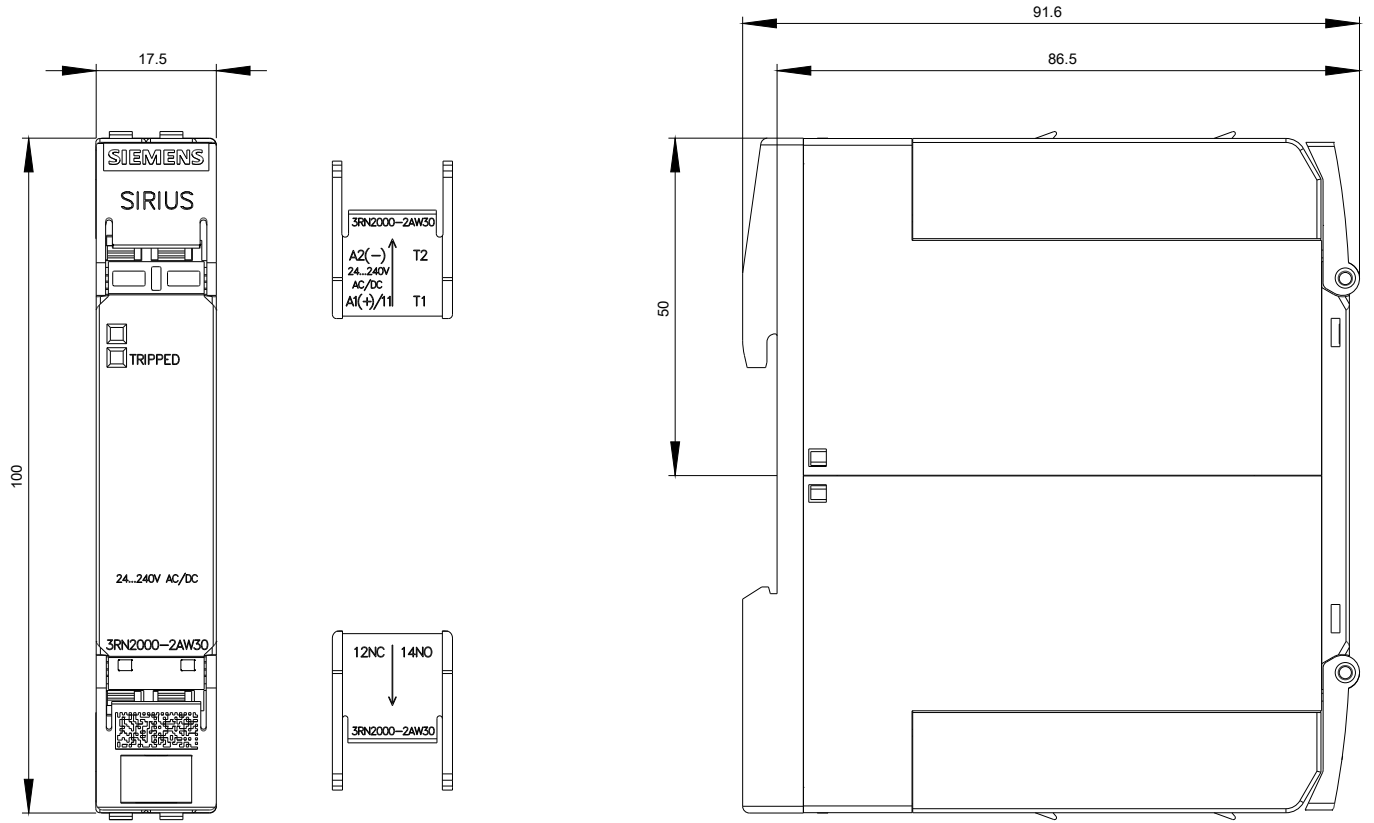
<http://support.automation.siemens.com/WW/CAXorder/default.aspx?lang=en&mfb=3RN2000-2AW30>

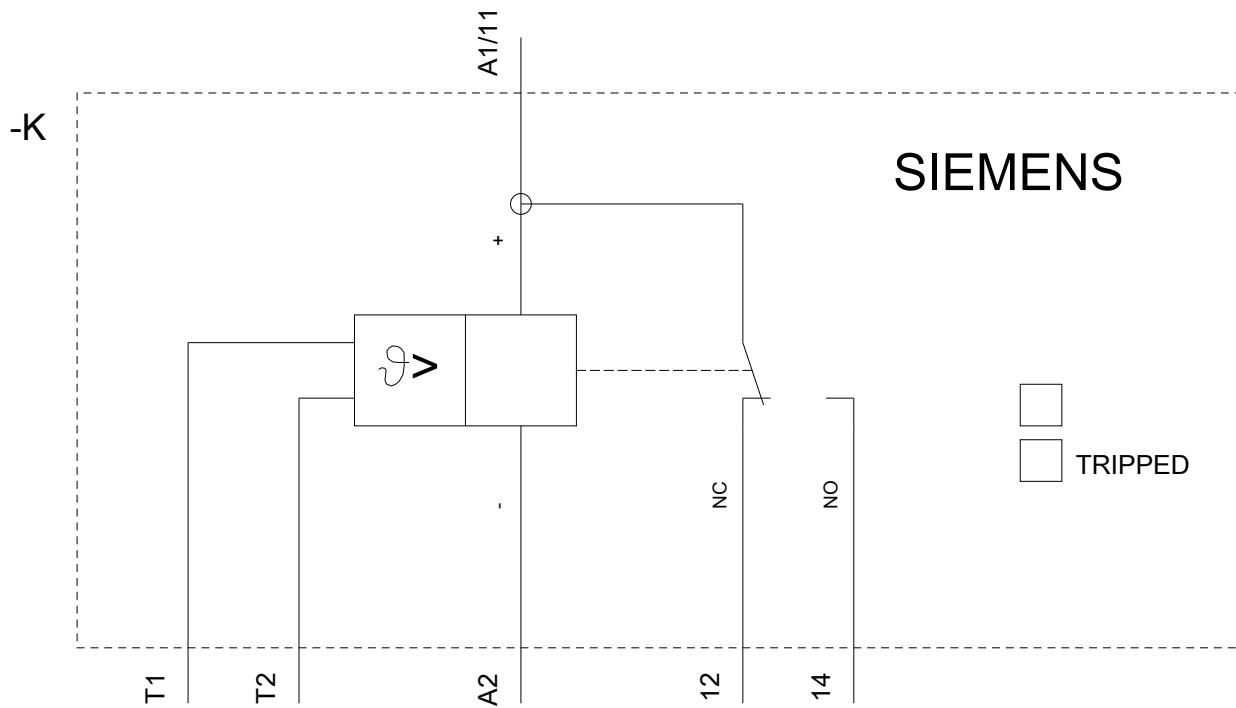
Service&Support (Manuals, Certificates, Characteristics, FAQs,...)

<https://support.industry.siemens.com/cs/ww/en/ps/3RN2000-2AW30>

Image database (product images, 2D dimension drawings, 3D models, device circuit diagrams, EPLAN macros, ...)

http://www.automation.siemens.com/bilddb/cax_de.aspx?mfb=3RN2000-2AW30&lang=en





last modified:

05/17/2018