


SACC-EC-MS-5CON-M16/0,5 SCO

Order No.: 1520068



Sensor/Actuator flush-type plug, 5-pos., M12-SPEEDCON, A-coded, front/screw mounting with M16 thread, can be positioned, with 0.5 m TPE litz wire, 5 x 0.25 mm²

**Commercial data**

EAN	 4 046356 020152
Pack	1
Customs tariff	85366990
Country of Origin	DE
Catalog page information	Page 29 (PC-2011)

Product notes

WEEE/RoHS-compliant since:
20/12/2005



Please note that the data given here has been taken from the online catalog. For comprehensive information and data, please refer to the user documentation at <http://www.download.phoenixcontact.com>. The General Terms and Conditions of Use apply to Internet downloads.

Technical data**General data**

Rated current at 40°C	4 A
Rated voltage	60 V
Number of positions	5
Volume resistance	≤ 3 mΩ

Insulation resistance	≥ 100 MΩ
Length of cable	0.5 m
Ambient temperature (operation)	-25 °C ... 85 °C (Male connector / female connector)

General characteristics

Standards/regulations	M12 connector IEC 61076-2-101
Coding	A - standard
Surge voltage category	II
Pollution degree	3
Degree of protection	IP67
Contact material	CuZn
Contact surface material	Ni/Au
Contact carrier material	PA 66
Material, knurls	Zinc die-cast, nickel-plated
Sealing material	NBR
Mounting type	Front mounting M16 x 1.5 With locking nut
Connection method	Individual wires
Status display	No

Conductor data

Cable type	TPE litz wire
Conductor cross section	0.34 mm ²
AWG signal line	22
Conductor structure signal line	7x 0.25 mm
Core diameter including insulation	1.2 mm ±0.07 mm
Thickness, insulation	0.21 mm
Wire colors	Black, brown, blue, white, gray
Insulation resistance	≥ 20 MΩ*km
Conductor resistance	≤ 57.6 mΩ/m
Nominal voltage, conductor	300 V
Test voltage, conductor	2000 V AC
Material conductor insulation	TPE
Conductor material	Tin-plated Cu litz wires
Ambient temperature (operation)	-25 °C ... 90 °C (cable, fixed installation)

Certificates



Certification

UL

Accessories

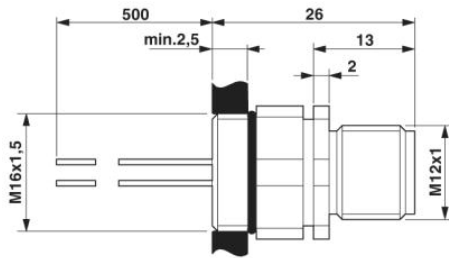
Item	Designation	Description
------	-------------	-------------

Assembly

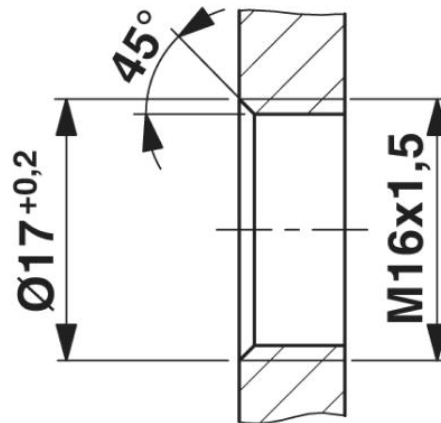
1504097	SACC-E-MU-M16	Flat nut with M16 thread
---------	---------------	--------------------------

Drawings

Dimensioned drawing

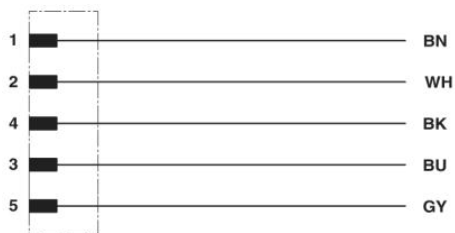


M12 flush-type socket, can be positioned



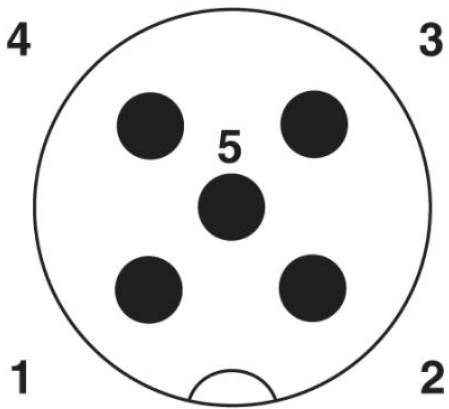
Housing cutout for M16 fastening thread,
mounting panel with thread

Circuit diagram



Contact assignment of the M12 plug and the M12 socket

Schematic diagram



Pin assignment M12 male connector, 5-pos., A-coded, male side