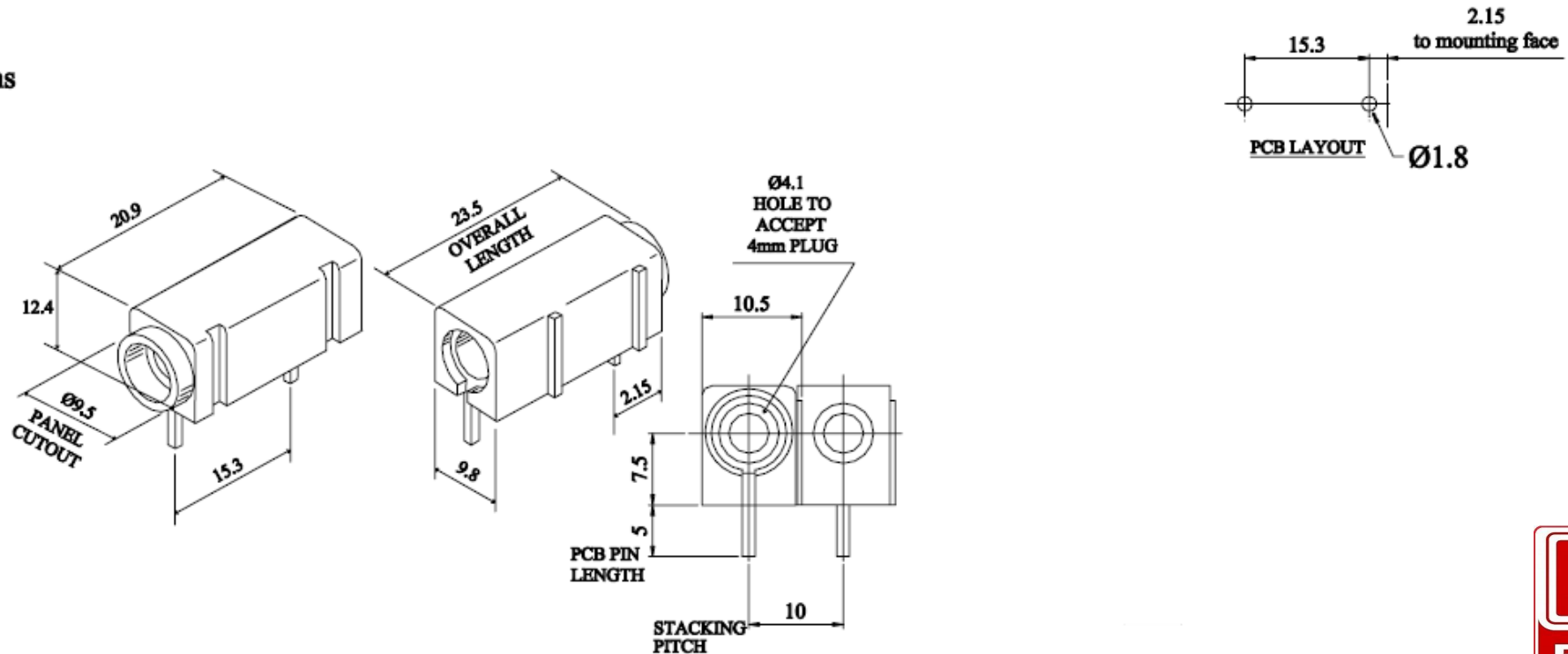


A single insulated 4mm socket, for direct mounting onto printed circuit boards. Has grooves in the outer acetal housing which provide side stacking alignment.

MATERIALS	
HOUSING	: Acetal
PINS	: Brass, silver plate
BUSH	: Brass, silver plate
CURRENT RATING	: 10 Amps

Dimensions



DrgNo 571 SERIES

TITLE 90° PCB MOUNTED INSULATED SOCKET – SINGLE

ALL DIMENSIONS IN MM
ANGLES IN DECIMAL DEGREES

ISSUE
5

GENERAL SPECIFICATION
FOR 571 SERIES

CUSTOMER

FILTER REF

Aprvd Date 13/10/03

Aprvd By MC

Drwn by BS

Scale: NTS

Sheet 1 / 1