

Electricians Contractor Tool Set – 795-6786



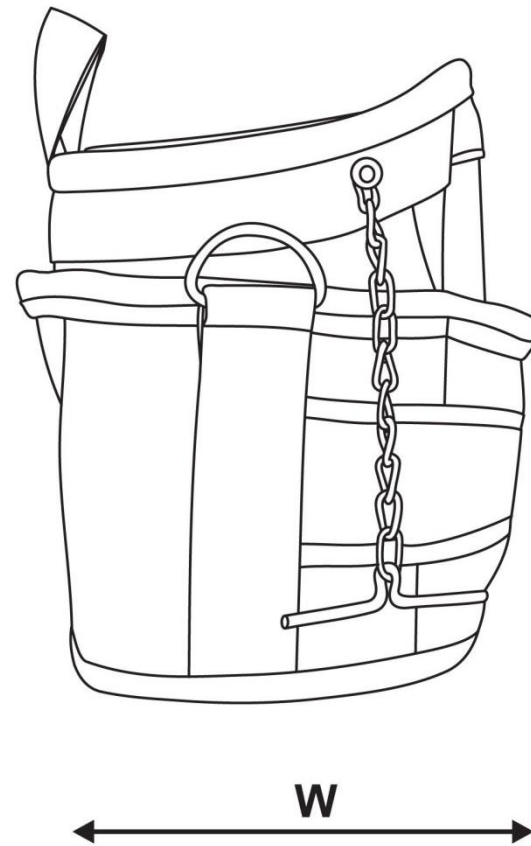
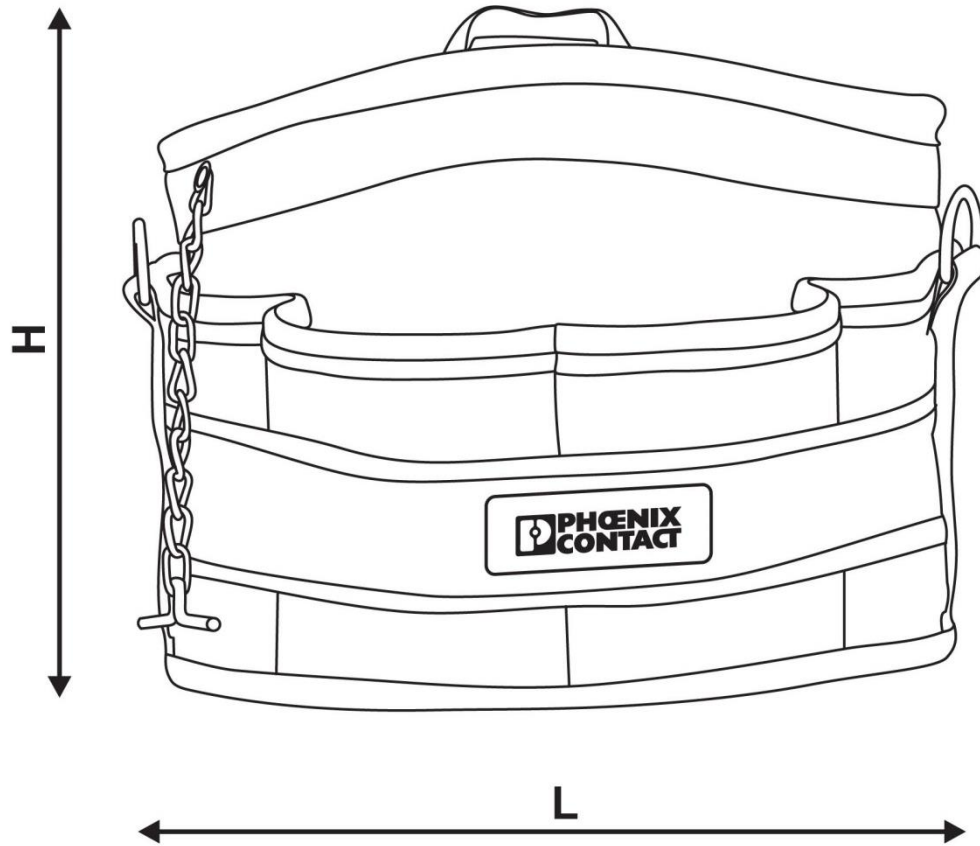
Electricians Contractor Tool Set – 795-6786



| MPN | Item | Description |
|----------|--------------------------|---|
| 1212499 | TOOL-CARRIER | Tool bag, empty |
| 1212207 | CUTFOX-S VDE | Diagonal cutter for copper and aluminum conductors, VDE-tested |
| 1212529 | UNIFOX-PE VDE | Needle-nose pliers, angled design, with opening spring and locking device, finely notched grip area, stripping possible for 1.5 mm ² and 2.5 mm ² , integrated M8 - M10 ring wrench, VDE 1000 V AC/1500 V DC tested |
| 1212202 | UNIFOX-C VDE | Combination pliers, cross-notched grip area, integrated M8 - M10 ring wrench, VDE 1000 V AC/1500 V DC tested |
| 1212204 | UNIFOX-P VDE | Needle-nose pliers with blade, notched grip area, VDE 1000 V AC/1500 V DC tested |
| 1205150 | SZK PH1 VDE | Screwdriver, PH crosshead, VDE insulated, size: PH 1 x 80 mm, 2-component grip, with non-slip grip |
| 1205163 | SZK PH2 VDE | Screwdriver, PH crosshead, VDE insulated, size: PH 2 x 100 mm, 2-component grip, with non-slip grip |
| 1205037 | SZS 0,4X2,5 VDE | Screwdriver, slot-headed, VDE insulated, size: 0.4 x 2.5 x 80 mm, 2-component grip, with non-slip grip |
| 1212602 | SZS 0,6X3,5 VDE | Screwdriver, slot-headed, VDE insulated, size: 0.6 x 3.5 x 100 mm, 2-component grip, with non-slip grip |
| 1212508 | SZS 0,8X4,0 VDE | Screwdriver, slot-headed, VDE insulated, size: 0.8 x 4.0 x 100 mm, 2-component grip, with non-slip grip |
| 1209114 | SZS 1,0X5,5 VDE | Screwdriver, slot-headed, VDE insulated, size: 1.0 x 5.5 x 125 mm, 2-component grip, with non-slip grip |
| 52005524 | Cuttermesser grau | Knife |
| 52004462 | Massband 5 m | 5M Tape Measure |
| 1212619 | WIREFOX FC | Stripping pliers, for 0.75 to 2.5 mm ² flat-ribbon cables up to 15 mm wide, any stripping length |
| 1209091 | DUSPOL EXPERT | Voltage tester, for DC and AC voltages from 12 V to 1000 V AC/1100 V DC, IP65 |
| 1212730 | CRIMPFOX-RCI 6-M | Crimping pliers, compact pliers, for symmetrical insulated cable lugs (red, blue, yellow), three marked die stations, unlockable pressure lock, lateral entry |
| 1212598 | SF-VT VDE | Voltage tester, single-position, for 150 - 250 V, conforms to DIN 57680/6 and VDE 0680/6, can also be used as an actuation tool for spring-cage terminal blocks, size: 0.5 x 3.0 x 70 mm, VDE insulated, with non-slip grip |

Electricians Contractor Tool Set – 795-6786



Electricians Contractor Tool Set – 795-6786



| METRIC | |
|---|---------|
| H | 220 mm |
| L | 290 mm |
| W | 185 mm |
|  | 0,95 kg |
|  | 6,10 l |