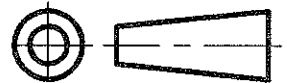


DO NOT SCALE

DIMENSIONS IN mm

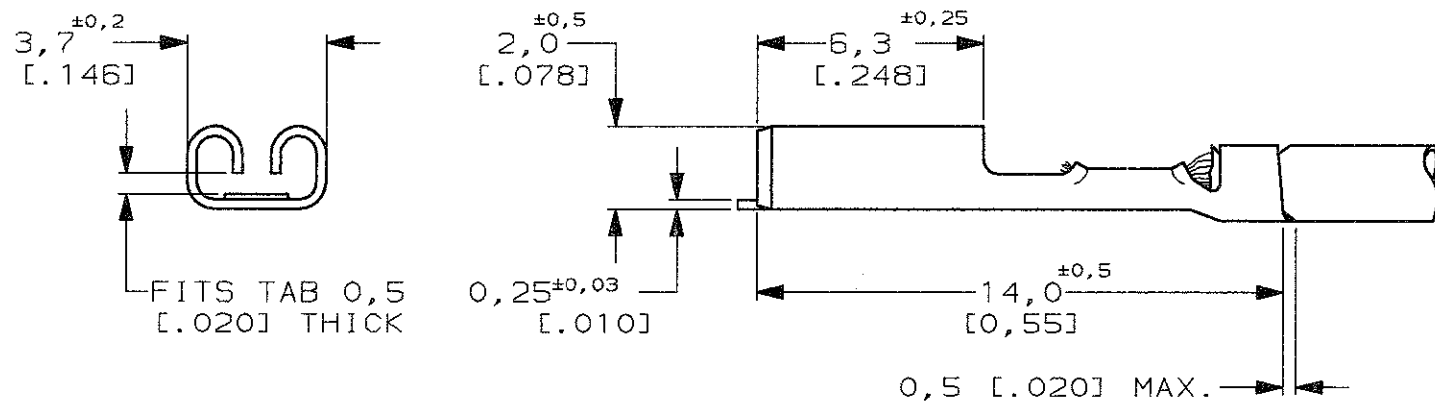
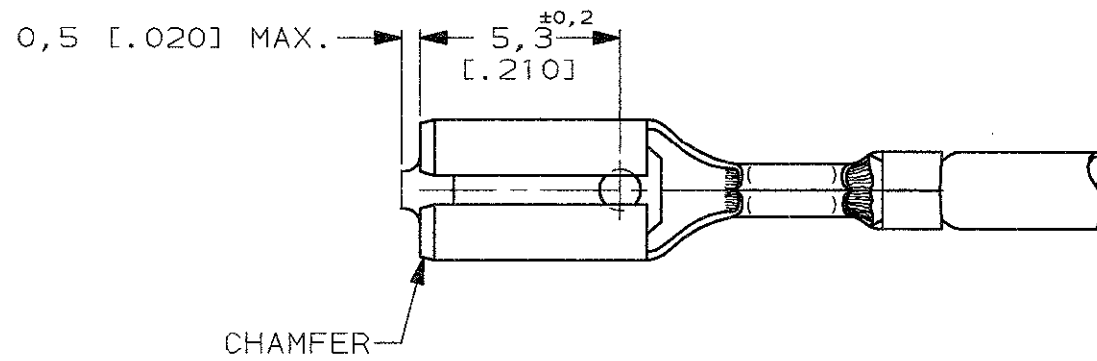
METRIC

THIRD ANGLE
PROJECTION



NOTES:

- ① SPLICE FREE FOR AMP_0_MATOR.
- ② REELED WITH PAPER LAYER.



WIRE RANGE :
0,3-0,56 mm²
INSULATION RANGE :
1,0-2,0 DIA.

FINISH	MATERIAL	PARTNUMBER
TIN	BRASS ②	6-160316-4
TIN-LEAD	PHOSPHORBRONZE	6-160316-3
TIN-LEAD	BRASS	6-160316-2
PRE-TIN HOT DIP	PHOSPHORBRONZE	6-160316-0
TIN ①	BRASS	5-160316-9
NONE ①	BRASS	5-160316-8
GOLD	PHOSPHORBRONZE	5-160316-7
TIN	PHOSPHORBRONZE	5-160316-6
NONE	PHOSPHORBRONZE	5-160316-5
GOLD	BRASS	5-160316-4
SILVER	BRASS	5-160316-3
TIN	BRASS	5-160316-2
NONE	BRASS	5-160316-1

F1 ET00-0045-02				HY	CT	07 MAR 02	CUSTOMER DRAWING FOR REFERENCE ONLY WILL NOT BE UPDATED © COPYRIGHT 19- BY AMP HOLLAND B.V. ALL INTERNATIONAL RIGHTS RESERVED. AMP PRODUCTS MAY BE COVERED BY U.S. AND FOREIGN AND/OR PATENTS PENDING. THIS DRAWING IS UNPUBLISHED RELEASED FOR PUBLICATION , 19-
F EH-0243-94				DK	PB	11-04-94	
LTR. REVISION RECORD				DR.	CHK.	DATE	AMP ITALIA S.p.A. Corso F.lli Cervi, 15 COLLEGNO (TORINO)
DR. : D.KESSLER				CHK. : P.BEIJNON		APP. : L.v.SOEST	DWG.No.
DATE: 11-04-94				DATE: -		DATE: -	C-160316
				REV.LTR.		SHEET	
				F1		1 OF 1	A3