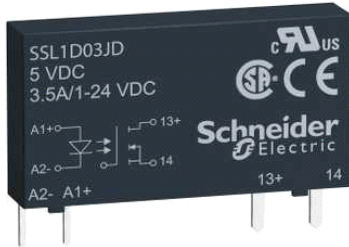


## SSL1D03ND

solid state relay, Plug-in, input 38-72 V DC, output 1-24 V DC, 3.5A



### Main

Range of product	Zelio Relay
Product or component type	Solid state relay
Device short name	SSL
Network number of phases	1 phase

### Complementary

Mounting support	Socket
[In] rated current	3.5 A
Output voltage	1...24 V DC
Control circuit voltage	90...140 V AC 190...250 V AC 38...72 V DC 190...250 V DC 90...140 V DC
Contacts type and composition	1 NO
Capacitance unbalance	$\leq 1.5$ pF input/output
Switching voltage	$\geq 38$ V DC turn-on $\leq 15$ V DC turn-off
Input current limits	3 mA
Input impedance	20 kOhm
Solid state output type	Mosfet output DC switching
Load current	0.001...3.5 A
Absolute maximum voltage	30 V
Maximum operating frequency	500 Hz
Surge current	$\leq 9$ A for 10 ms
Voltage drop	$\leq 0.5$ V on-state
Leakage current	$\leq 0.001$ mA off-state
Response time	0.1 ms turn-off 0.12 ms turn-on
Overvoltage category	III
Width	5 mm
Height	28 mm
Depth	15 mm
Product weight	0.0041 kg

### Environment

flame retardance	V0 conforming to UL 94
dielectric strength	2500 V for input/output
pollution degree	2
standards	IEC 61000 IEC 60950-1 IEC 62314

The information provided in this documentation contains general descriptions and/or technical characteristics of the performance of the products contained herein. This documentation is not intended as a substitute for and is not to be used for determining suitability or reliability of these products for specific user applications. It is the duty of any such user or integrator to perform the appropriate and complete risk analysis, evaluation and testing of the products with respect to the relevant specific application or use thereof. Neither Schneider Electric Industries SAS nor any of its affiliates or subsidiaries shall be responsible or liable for misuse of the information contained herein.

product certifications	CSA RoHS UL REACH
marking	CE
IP degree of protection	IP67
ambient air temperature for operation	-20...80 °C
ambient air temperature for storage	-20...85 °C

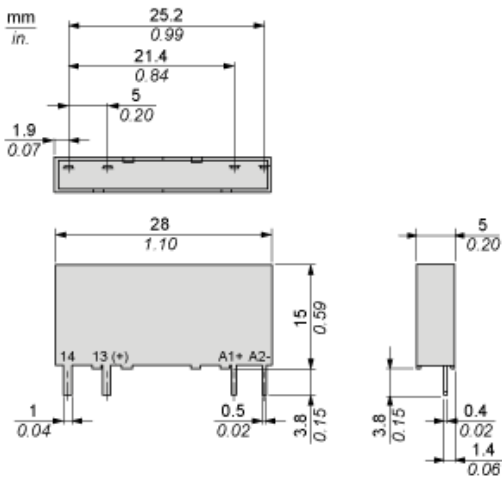
### Offer Sustainability

Sustainable offer status	Green Premium product
RoHS (date code: YYWW)	Compliant - since 1328 - Schneider Electric declaration of conformity
REACH	Reference not containing SVHC above the threshold
Product environmental profile	Available
Product end of life instructions	Need no specific recycling operations

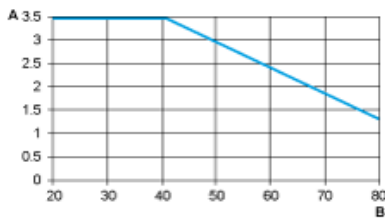
### Contractual warranty

Warranty period	18 months
-----------------	-----------

### Dimensions



### Derating Curves



A : Load Current (Amperes)  
B : Ambient Temperature (°C)