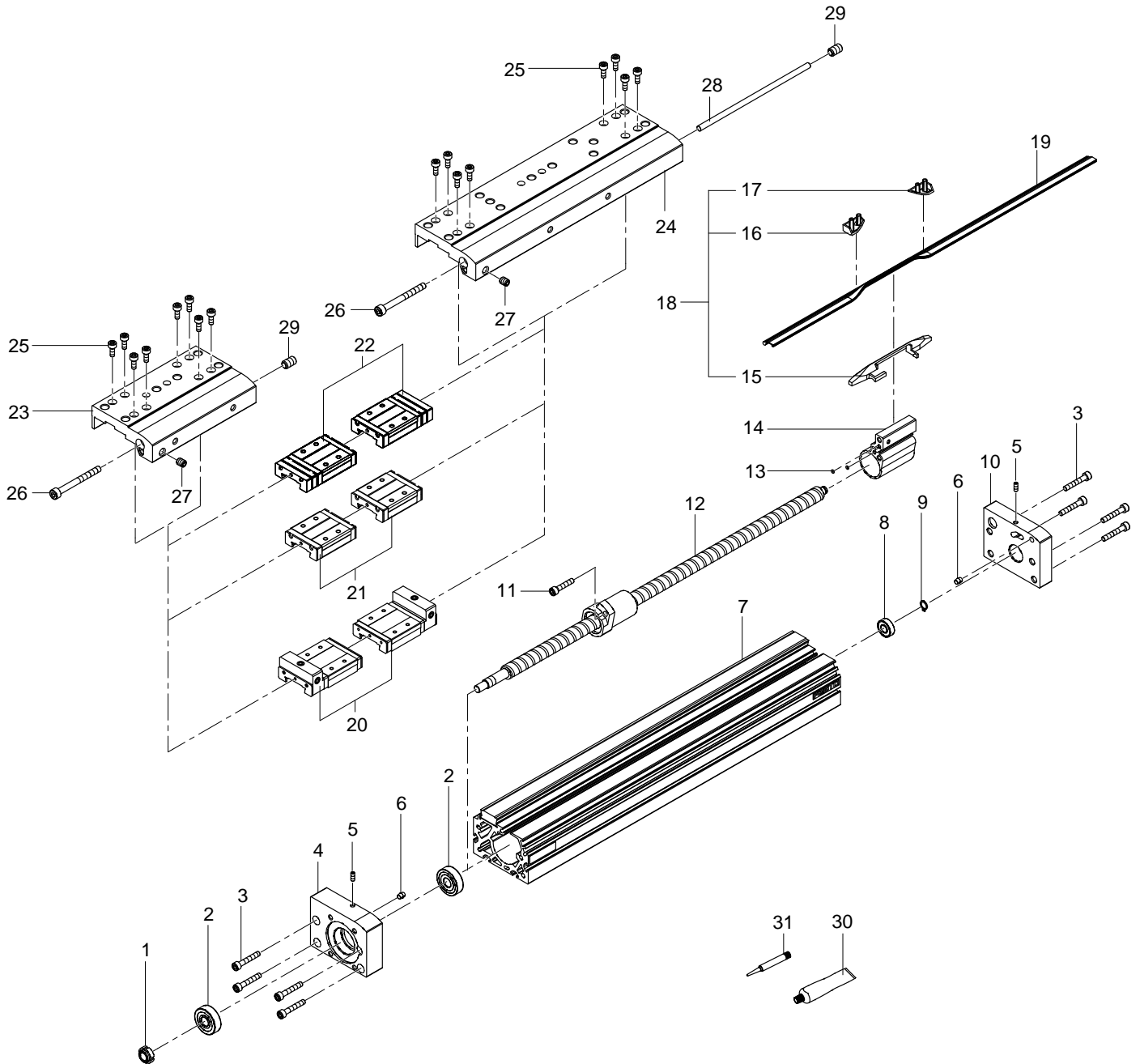


3013544 EGC-80-600-BS-20P-KF-0H-ML-GK Ball screw axis - Series: All



3013544 EGC-80-600-BS-20P-KF-0H-ML-GK Ball screw axis - Series: All

Pos.	Part no.	Type	Note	Qty.	Unit
1	717739	GUK 10X0,75 Grooved nut		1	PC
2		DIN 628-7200-B-2RS Angular ball bearing	Not available separately, see position 998	2	PC
3	200675	ISO 4762-M5X30-8.8 Socket head screw	Tightening torque 5 Nm / 3.7 lbf ft Use locking compound. See position 31	8	PC
4	717777	EGC-80-BS:LI clevis foot		1	PC
5	656311	ISO 4026-M4X10-45H Threaded pin	Tightening torque 0.3 Nm / 0.2 lbf ft Use locking compound. See position 31	2	PC
6	382090	5,9X7,1 Buffer element		2	PC
7		EGC-80-BS-KF Cylinder barrel module	Not available	1	PC
8		D616-698-2RS Deep groove ball bearing	Not available separately, see position 998	1	PC
9	200617	DIN 471-8X0,8 Retaining ring		1	PC
10	717759	EGC-80-BS:RE Bearing cap		1	PC
11	200048	ISO 4762-M5X25-10.9 Socket head screw	Tightening torque 5 Nm / 3.7 lbf ft Use locking compound. See position 31	1	PC
12	743154	EGC-80- -YB- Ball screw	When ordering please specify the configuration (see type plate) Repair note: Spindle_support	1	PC
13	222032	B-2X1-N-NBR70 O-ring ISO3601		2	PC
14	722881	EGC-80-BS Retainer module	Attention, please order position 13 as well	1	PC
15		EGC-80-BS: U Belt reversal	Not available separately, see position 18	1	PC
16		EGC-70/80-BS: O_LI Belt reversal	Not available separately, see position 18	1	PC
17		EGC-70/80-BS: O_RE Belt reversal	Not available separately, see position 18	1	PC
18	739503	EGC-80-BS ET Belt reversal		1	PC
19	743145	EGC-80- -YA- Cover strip	When ordering please specify the configuration (see type plate) Grease using during assembly. See position 30	1	PC
20	736905	EGC-80-KF-GK/GV-C/GR Roller carriage	Attention! It is essential that the information in the repair manual be closely observed! Grease using during assembly. See position 30	1	PC
21	716520	EGC-80-KF-GK/GV Roller carriage	Attention! It is essential that the information in the repair manual be closely observed! Grease using during assembly. See position 30	1	PC
22	722901	EGC-80-KF-GP/GQ Roller carriage	Attention! It is essential that the information in the repair manual be closely observed! Grease using during assembly. See position 30	1	PC
23	717789	EGC-80-BS-KF-GK/GP Slide module		1	PC
24	717793	EGC-80-BS-KF-GVGQ Slide module		1	PC
25	396496	ISO 4762-M3X10-12.9 Socket head screw	Tightening torque 2.5 Nm / 1.8 lbf ft Use locking compound. See position 31	8	PC
26	371536	ISO 4762-M5X45-10.9 Socket head screw	Tightening torque 8.5 Nm / 6.3 lbf ft Use locking compound. See position 31	1	PC

Pos.	Part no.	Type	Note	Qty.	Unit
27	232491	ISO 4026-M6X6-45H Threaded pin	Use locking compound. See position 31	1	PC
28	717743	EGC-80-BS Rod		1	PC
29	204491	ISO 4028-M8X20-45H Threaded pin	Tightening torque 2.5 Nm / 1.8 lbf ft Use locking compound. See position 31	1	PC
30	684474	LUB-KC1 SILIKONFREI 20ML Lubricating grease		1	PC
31	8181256	CYBERBOND TM44 TB1ML Adhesive bonding agent		1	PC
99 8	739507	EGC/ELGA-80-BS ET Bearing module		1	PC