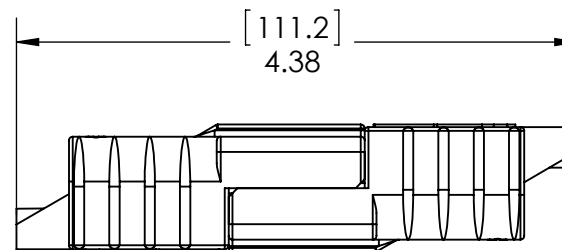
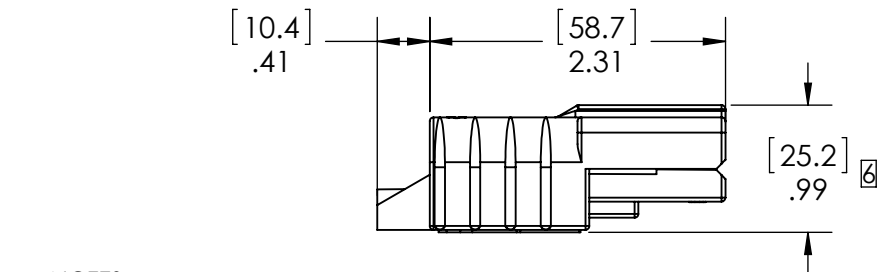
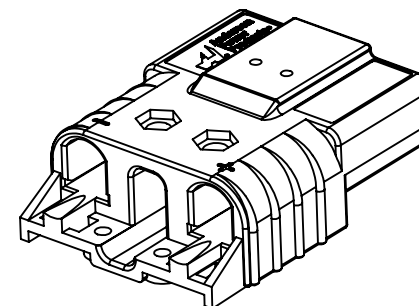
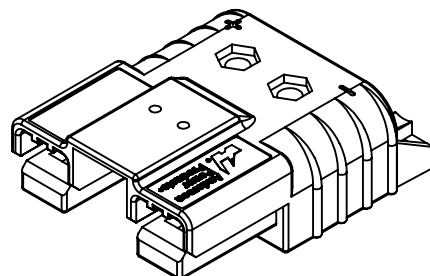
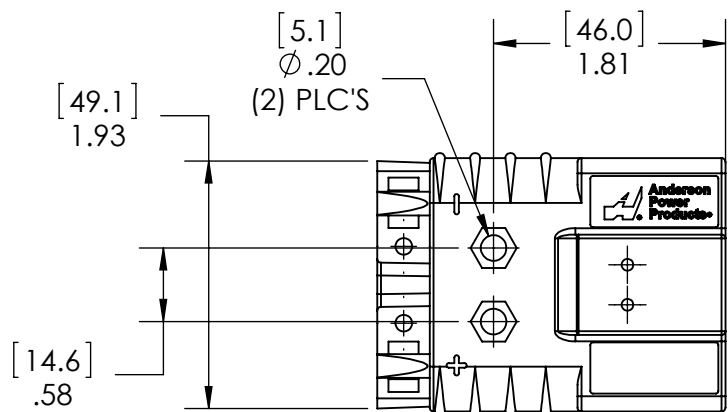


THE INFORMATION CONTAINED IN THIS DRAWING IS THE SOLE PROPERTY OF ANDERSON POWER PRODUCTS. ANY REPRODUCTION IN PART OR WHOLE WITHOUT THE WRITTEN PERMISSION OF ANDERSON POWER PRODUCTS IS PROHIBITED.

Copyright 2004

ANDERSON POWER PRODUCTS RESERVES THE RIGHT TO ALTER PRODUCT TYPES, THEIR TECHNICAL DATA, DIMENSION, STYLE AND ACCESSORIES WITHOUT PRIOR NOTIFICATION.



NOTES:

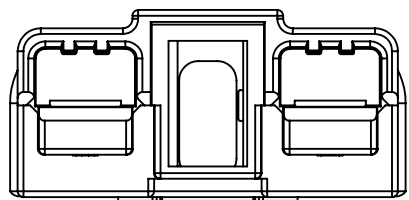
1. SBO 60 SPRING/HOUSING ASSEMBLIES ARE UL RECOGNIZED PER FILE E26226, CSA CERTIFIED PER LR25154.
2. HOUSINGS ARE KEYED TO ONLY ALLOW MATING WITH THE SAME COLOR HOUSING.
3. FOR ASSEMBLY INSTRUCTIONS SEE DOCUMENT 1S6331.
4. MATERIAL:
HOUSINGS - PBT, UL94V0
SPRINGS - STAINLESS STEEL
5. OPTIONAL AUXILIARY POWERPOLE HOUSINGS AND CONTACTS AVAILABLE.

REVISIONS				DIMENSIONS ARE IN:	INCH [MM]	APPROVALS		ANDERSON POWER PRODUCTS														
REV.	DESCRIPTION	APPRV	DATE	UNLESS OTHERWISE STATED			DRAWN	TITLE														
				DECIMALS (INCH)	DECIMALS (MM)	ANGLES	AMP	SBE 80/SBO60 HOUSING AND SPRING ASSEMBLY OUTLINE DRAWING														
7	ECRN-15822A REVISE, REDRAW FOR NEW MOLD	AHR	5/7/2015	.XX ± .02	.X ± .5	±2°	4/14/2004	TITLE SBE 80/SBO60 HOUSING AND SPRING ASSEMBLY OUTLINE DRAWING														
6	ECRN-15733	TWE	10/17/2014	SURFACE FINISH:			CHECKED					DJD 4/15/2004 MFG APPRV MAW 4/15/2004 QC APPRV DAM 4/15/2004 ENG APPRV RPO 4/15/2004										
5	ECRN-15727	TWE	10/9/2014	MACHINED	128µin [3.2µ]	✓	SIZE A DWG NO. 114129S1 REV. 7 SCALE NONE CADFILE 00999 SHEET 1 OF 2															
4	ECRN-14934 COLOR KEYING ADDED	TWE	7/11/11	MOLDED	64µin [1.6µ]	✓										-CAD GENERATED DRAWING- DO NOT MANUALLY UPDATE DO NOT SCALE						
3	ECRN-13812 CREATE SEPARATE SBE80 DWG	AMP	4/5/05	MATERIAL:																3rd ANGLE PROJECTION		
2	ECRN-13685 UPDATE LOGO	AMP	3/1/05	SEE NOTES																		
				FINISH:																		

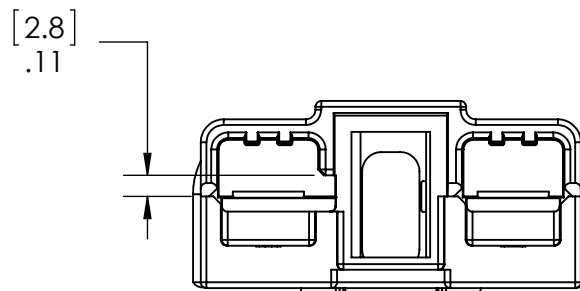
THE INFORMATION CONTAINED IN THIS DRAWING IS THE SOLE PROPERTY OF ANDERSON POWER PRODUCTS. ANY REPRODUCTION IN PART OR WHOLE WITHOUT THE WRITTEN PERMISSION OF ANDERSON POWER PRODUCTS IS PROHIBITED.

Copyright 2011

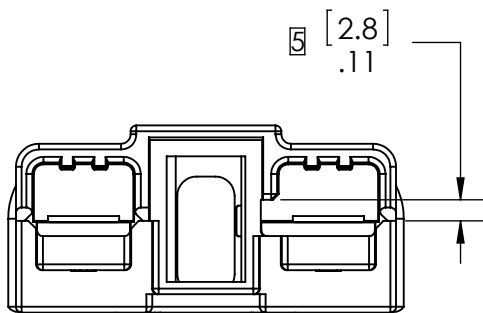
ANDERSON POWER PRODUCTS RESERVES THE RIGHT TO ALTER PRODUCT TYPES, THEIR TECHNICAL DATA, DIMENSION, STYLE AND ACCESSORIES WITHOUT PRIOR NOTIFICATION.



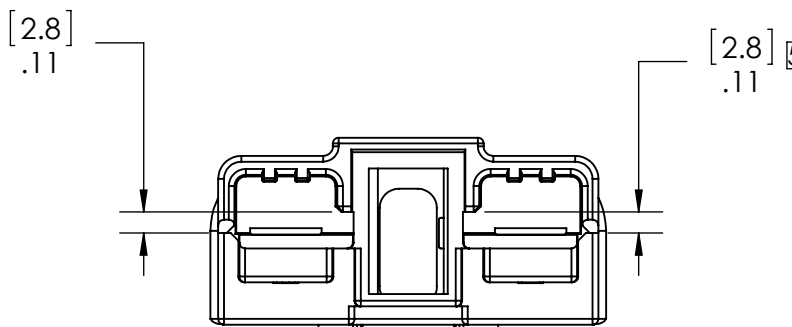
RED KEY



ORANGE KEY



YELLOW KEY



GRAY KEY

DIMENSIONS ARE IN:		INCH [MM]		<i>APPROVALS</i>		ANDERSON POWER PRODUCTS	
UNLESS OTHERWISE STATED				DRAWN		TITLE	
TOLERANCES:				AMP		4/14/04	
DECIMALS (INCH) DECIMALS (MM) ANGLES				CHECKED		DJD	
.XX ± .02 .X ± .3 ±2				MFG APPRV		4/15/04	
SURFACE FINISH:				MAW		4/15/04	
MACHINED 128µin [3.2µ]				QC APPRV		4/15/04	
MOLDED 64µin [1.6µ]				DAM		4/15/04	
MATERIAL:				ENG APPRV		SIZE	
SEE NOTES				RPO		A	
FINISH:				4/15/04		DWG NO.	
				-CAD GENERATED DRAWING- DO NOT MANUALLY UPDATE DO NOT SCALE		114129S1	
				SCALE		CADFILE	
				NONE		00999	
				SHEET		REV.	
				2 OF 2		6	

-	See Sheet1	-	-
REV.	DESCRIPTION	APPRV	DATE
REVISIONS			