

4

3

2

1

THIS DRAWING IS UNPUBLISHED.
VERTRAULICHE UNVERÖFFENTLICHTE ZEICHNUNG

RELEASED FOR PUBLICATION
FREI FUER VERÖFFENTLICHUNG
1998

MATED WITH:
PASSEND ZU:
-

LOC
A1

DIST
-

P
-

LTR
-

REVISIONS
ÄNDERUNGEN

DATE
DWN
APVD

© COPYRIGHT 1998
BY AMP INCORPORATED.

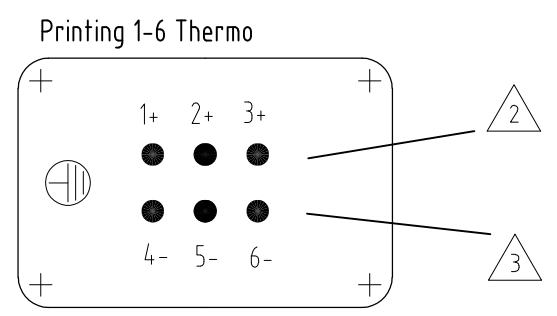
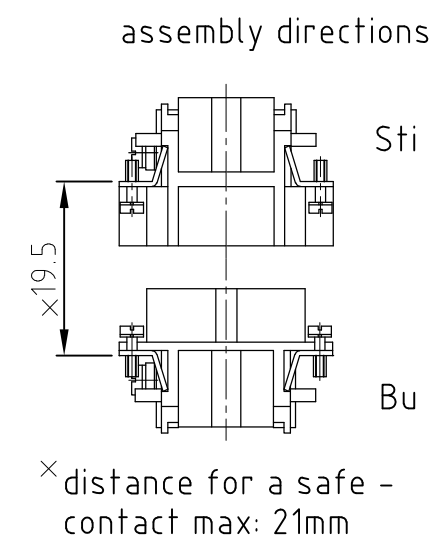
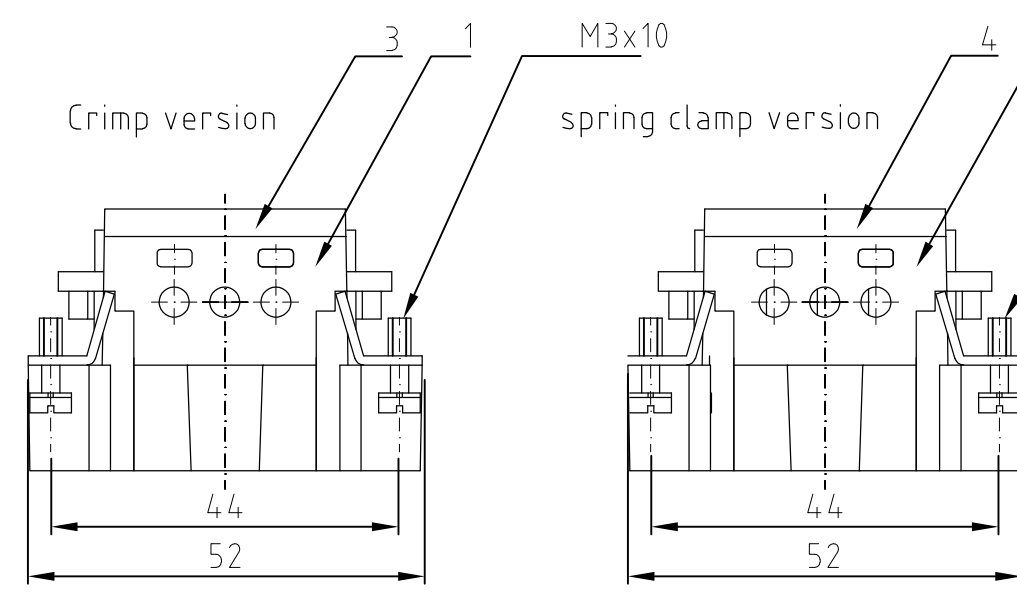
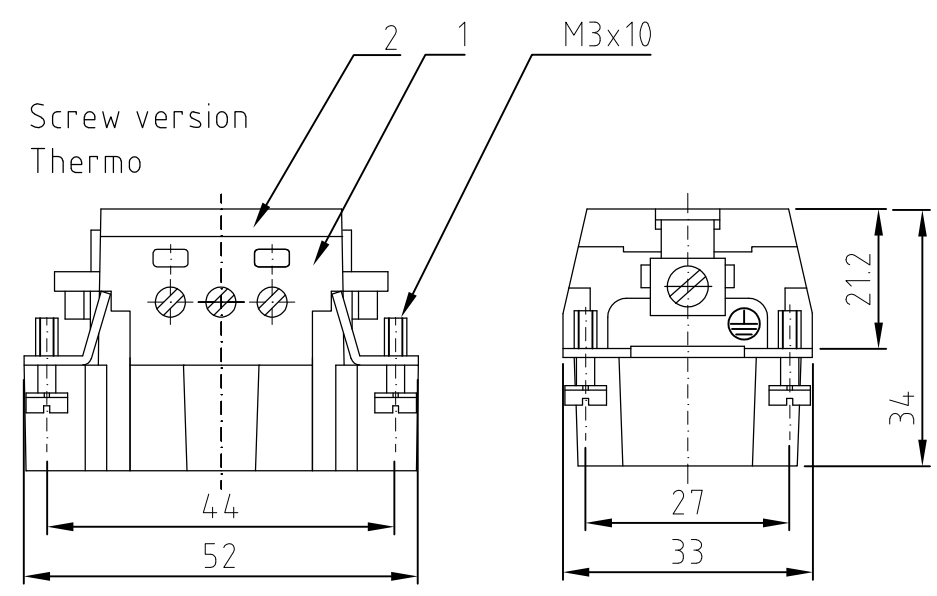
ALL RIGHTS RESERVED.
ALLE RECHTE VORBEHALTEN

PROJEKT NR.:
-

A6

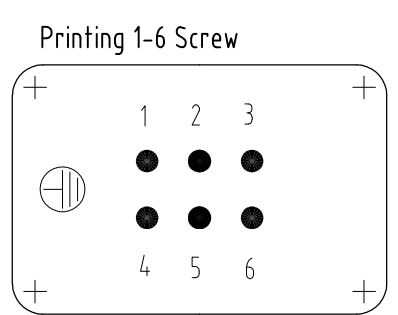
DESCRIPTION
BESCHREIBUNG
text for packaging corrected ECR-08-001603

DATE
DWN
APVD
22.01.08
SR
ST



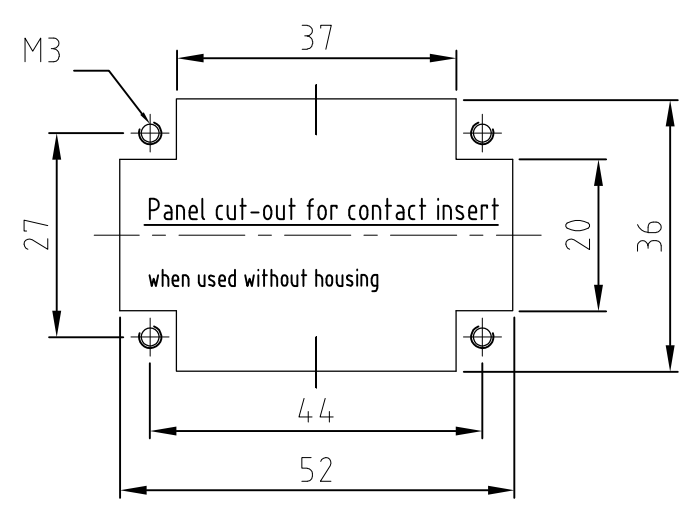
Contact arrangement

view from termination side



NOTES:

- 1 SUITABLE CRIMP CONTACTS: SERIES HE/HA
OUTER DIMENSIONS OF INSULATION: MAX. Ø3,2 MM
- 2 SUITABLE HOOD SIZE 5; 7; 9; 11; SERIES HA; HD
SUITABLE INSERTION AND EXTRACTION TOOL:
SCREWDRIVER 0,5x3 DIN 5264
- 3 Strip lenght: Screw conection 10mm
Spring clamp conection 10mm Crimp conection 7.5mm
- 4 STANDARDS:
DIN EN 61984; DIN EN 60664-1
- 5 PACKAGING:
5 SETS IN A CARTON, PRE-MOUNTED
- 6 SPECIAL PACKAGING: Krauss-Maffei
PACKAGING UNIT: 150 PIECES



		1			cover spring clamp version		light grey	4	
		1			cover crimp version		light grey	3	
1	1			1	cover screw version		light grey	2	
1	1	1	1	1	pin insert		light grey	1	
0-2	0-1	7-1	2-3	1-7	1-1	DESCRIPTION	MATERIAL	COLOR	ITEM NO. POS.

HE.6.Sti.S.KM	HE.6.Sti.S-AU	HE.6.Sti.S-C	HE.6.Sti.S-I	HE.6.Sti.S-T	HE.6.Sti.S
---------------	---------------	--------------	--------------	--------------	------------

THIS DRAWING IS A CONTROLLED DOCUMENT FOR AMP INCORPORATED.
IT IS SUBJECT TO CHANGE AND THE CONTROLLING ENGINEERING ORGANIZATION SHOULD BE CONTACTED FOR THE LATEST REVISION.
DIESES ZEICHNUNGSDOKUMENT WIRD DURCH AMP INCORPORATED KONTROLLIERT.
ÄNDERUNGEN, DIE DEM TECHNISCHEN FORTSCHRITT DIENEN, SIND VORBEHALTEN.
DEN JEWEILS LETZTGÜELTIGEN ÄNDERUNGSSTAND ERFAHREN SIE AUF ANFRAGE.

DIMENSIONS: DIMENSIONEN: mm

TOLERANCES UNLESS OTHERWISE SPECIFIED: ALLGEMEINTOLERANZEN

ISO 8015

ISO 2768 - mH - E

DIN 16901 - 14.0

0 PLC #

1 PLC #

2 PLC #

3 PLC #

ANGLES / WINKEL #

FINISH / OBERFLÄCHE / FARBE

DWN	Gräf	16.02.1999
CHK	Schweiger	18.02.1999
APVD	-	-
PRODUCT SPEC	Male insert	
APPLICATION SPEC	Stifteinsatz HE.6.STI	
WEIGHT	A3	00779
GEWICHT	C= 1103634	

AMP HTS Elektrotechnik
53819 Neunkirchen, Germany

NAME: Male insert
Stifteinsatz HE.6.STI

SIZE: A3 CAGE CODE: 00779 DRAWING NO: 1103634

RESTRICTED TO NUR FUER: -

CUSTOMER DRAWING / KUNDENZEICHNUNG SCALE: MASSSTAB 1:1 SHEET: BLATT 1 OF: VON 1 REV: A6