

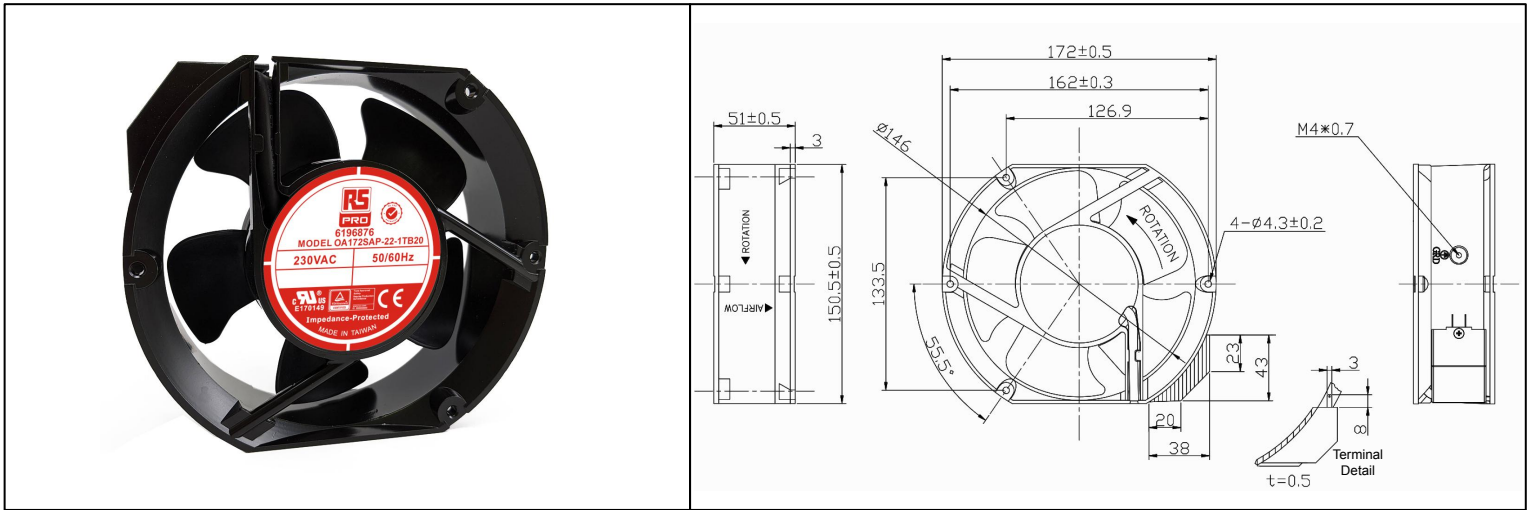


# Datasheet

## RS PRO AC FAN 172x51mm

Stock Number: 619-6876

EN



Frame	Die Cast Aluminum	<p><u>Operating Temperature</u> -40°C ~ +70°C</p> <p><u>Storage Temperature</u> -40°C ~ +80°C</p> <p><u>Life Expectancy</u> 40,000 hours (L10 at 40°C)</p> <p>Weight: 0.8Kgs (1.76 lbs)</p>	
Impeller	PBT UL94 V-0 Plastic		
Connection	Terminal		
Motor	Thermal Protected, Impedance Protected, Class B Insulation, IP55 Rated		
Bearing System	Dual Ball Bearings		
Dielectric Strength	1500VAC/min < 1mA		
Insulation Resistance	>100M ohm between leadwire and frame (500VDC)		

Model Number	619-6876
Rated Voltage	230 VAC
Rated Input	29 W @ 50/60 Hz
Voltage Range	207~253
Rated Speed (RPM)	2850 @ 50 Hz 3400 @ 60 Hz
Airflow (CFM)	205 @ 50 Hz 226 @ 60 Hz
Noise Level (dB)	53 @ 50 Hz 58 @ 60 Hz
Max. Static Pressure	0.63" H <sub>2</sub> O @ 50 Hz 0.79" H <sub>2</sub> O @ 60 Hz

\*PQ Airflow data specifications are for 60 Hz operation