

Product Datasheet

RS Bobbin Mount – Type A

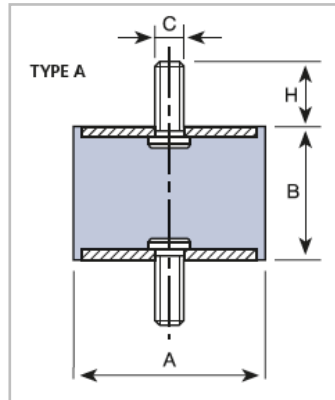


Their elasticity is much greater in all the directions parallel to the armatures than in the perpendicular direction. The rubber works based on compression or shear depending on the direction it is placed in at installation time. This direction is made according to the use and the objective.

It is therefore installed with nuts or screws depending on the model chosen, with one part attached to the fixed chassis and the other to the machine to be suspended.

The AMC Mekanocaucho® bobbins are particularly suitable for installation on small motor-pumps, motor-ventilators, driers, sieves, compactors, washing machines, electrical motors, on-board control panels, measuring apparatuses, control cabinets, microphones, fluorescent tubes, etc.

Technical data



RS Ref:	AMC Ref:	A	B	C	H	COMPRESSION		SHEAR	
						LOAD max. daN	DEFLECT. mm	LOAD max. daN	DEFLECT. mm
8112325	120001	12,5	10	M-5	10	12	2	1,5	1,5
8112322	120002	15,5	15	M-5	10	10	3	1,5	2
8112328	120011	16	10	M-5	12	20	1,5	2,5	1,5
8112340	120021	20	8,5	M-6	16,5	40	1,5	5	1
8112347	120022	20	15	M-6	16,5	35	4	5	2,5
8112366	120023	20	20	M-6	16,5	30	5	5	3,5
8112397	120031	25,5	15	M-8	20	60	3,5	8	2,5
8112388	120034	25,5	25	M-8	20	50	6	8	4,5
8112417	120041	30	15	M-8	20	90	3	11	2,5
8112426	120043	30	22	M-8	20	80	5	11	4
8112435	120051	40	20	M-10	25	160	5	20	3
8112429	120052	40	28	M-10	25	150	6	20	5,5
8112423	120061	50	25	M-10	25	300	6	25	4,5
8112439	120063	50	45	M-10	25	190	11	25	9
8112448	120071	60	25	M-10	25	400	6	30	4.5
8112441	120082	70	50	M-10	25	350	11	35	11