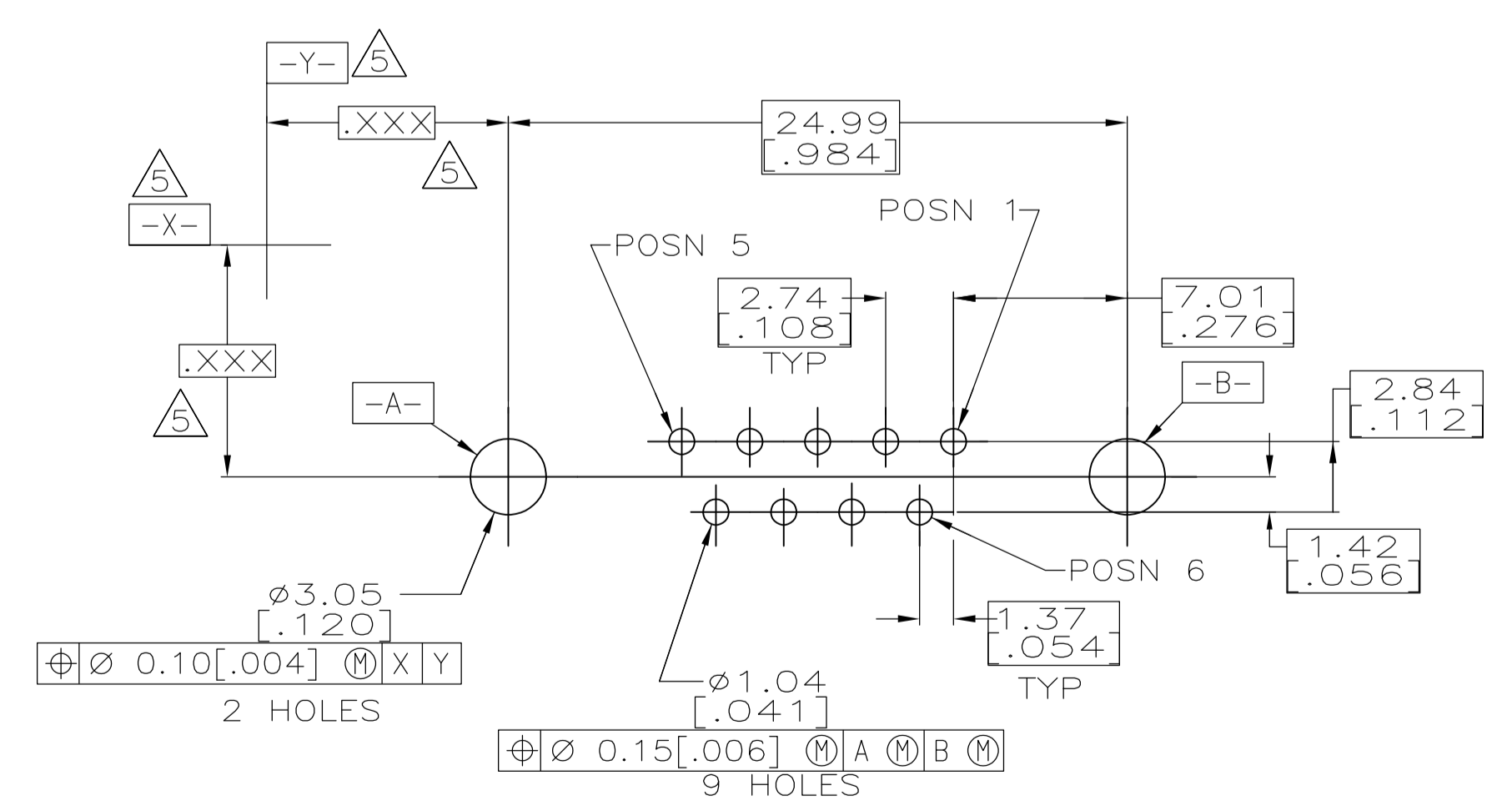
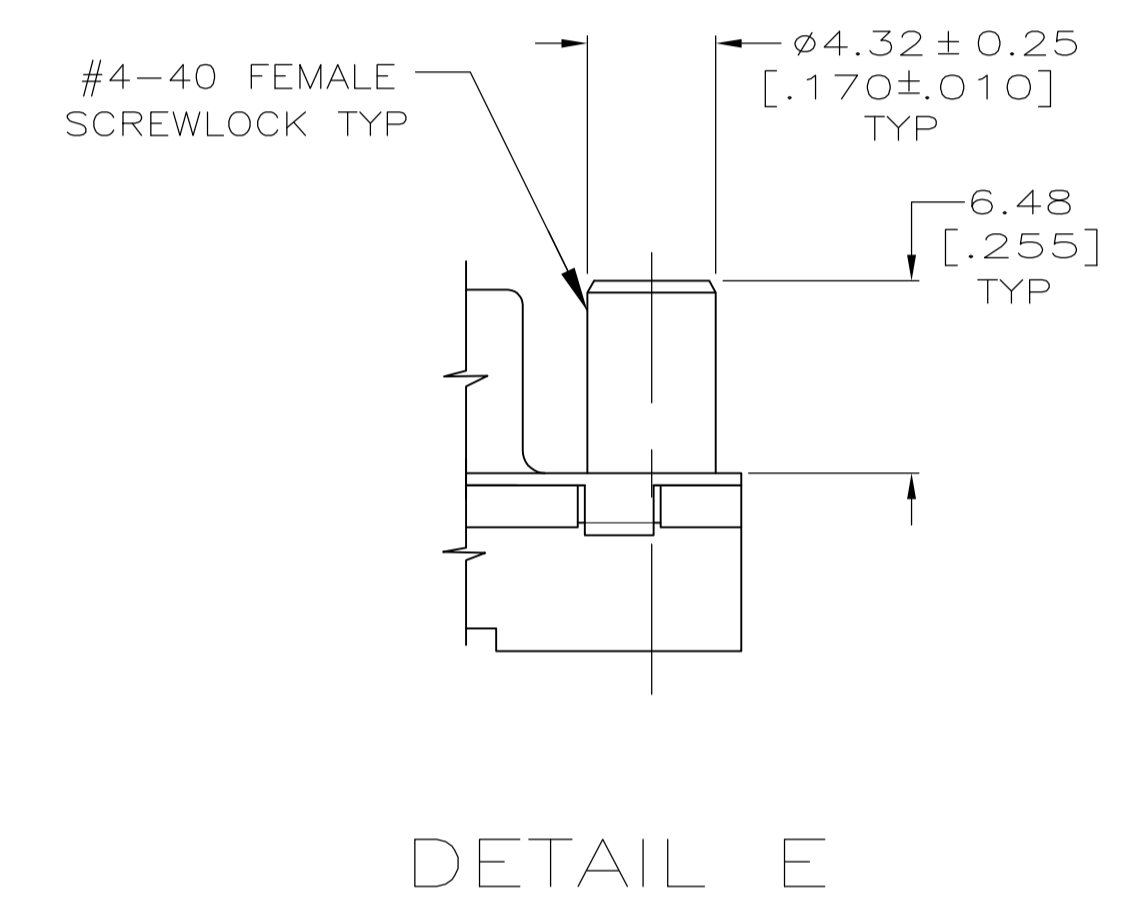
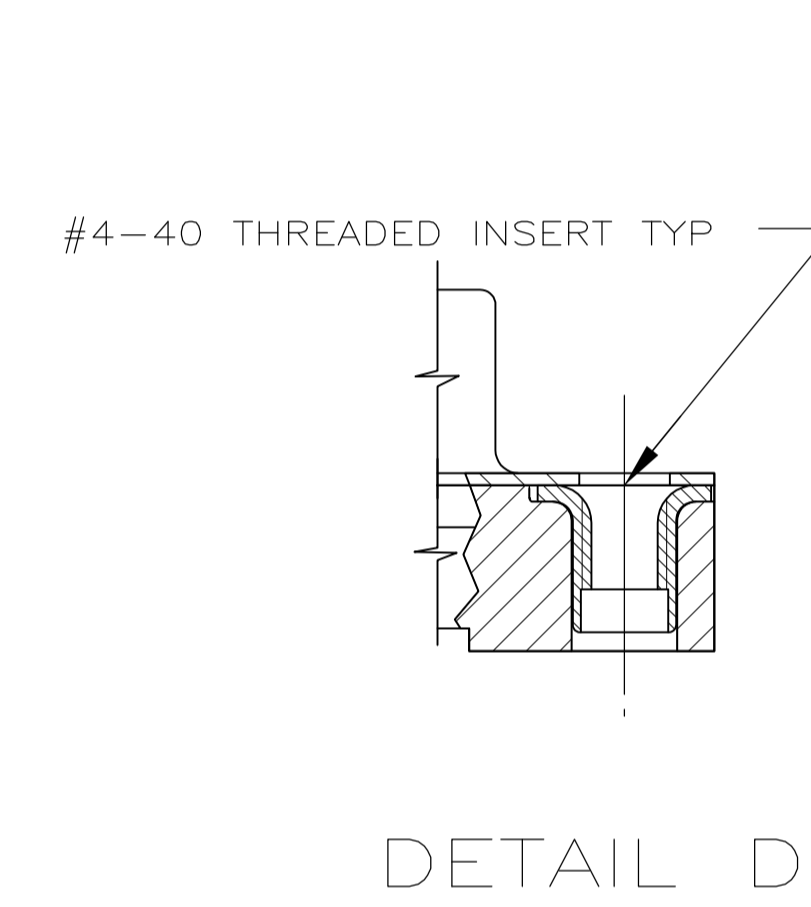
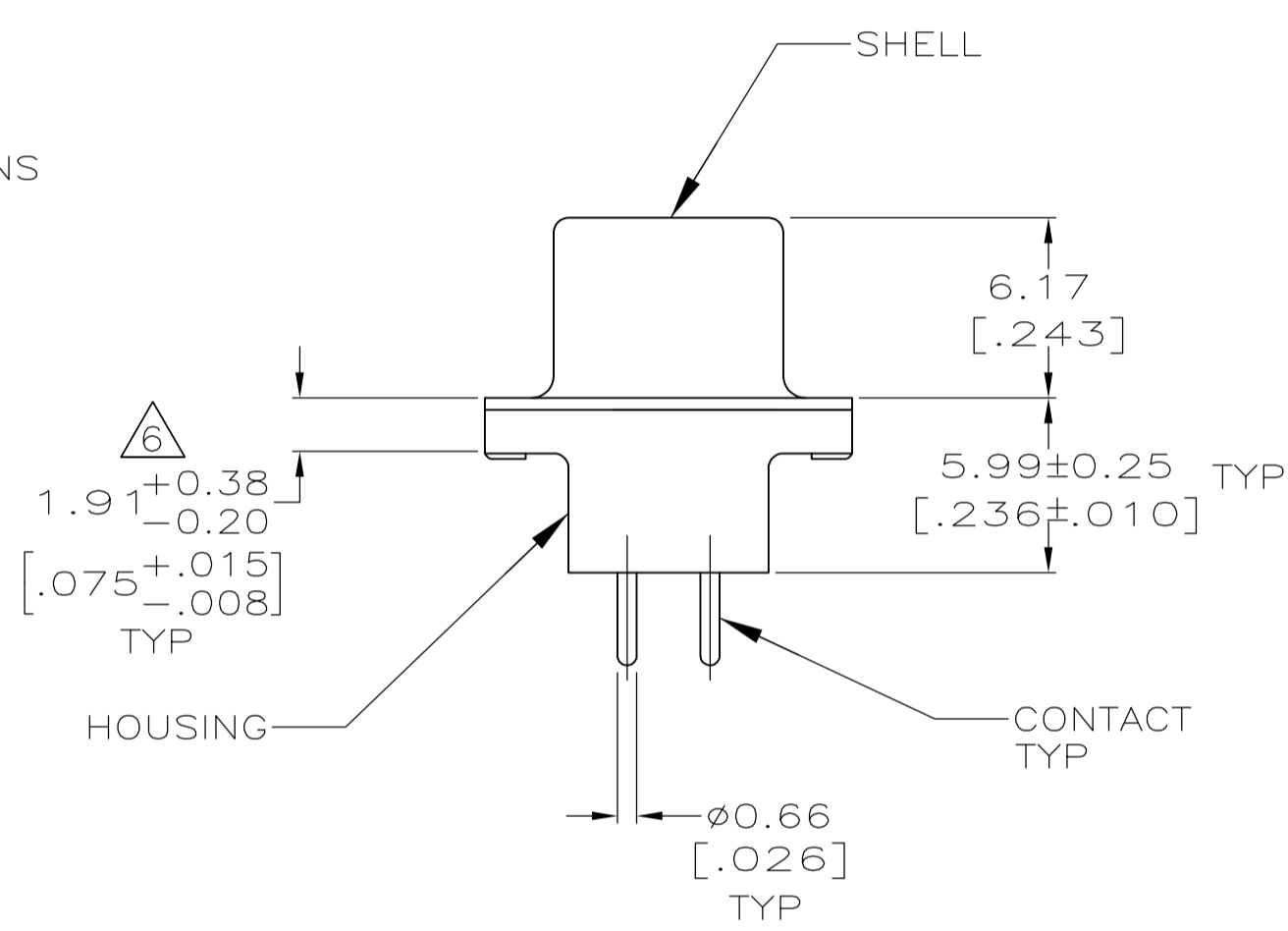
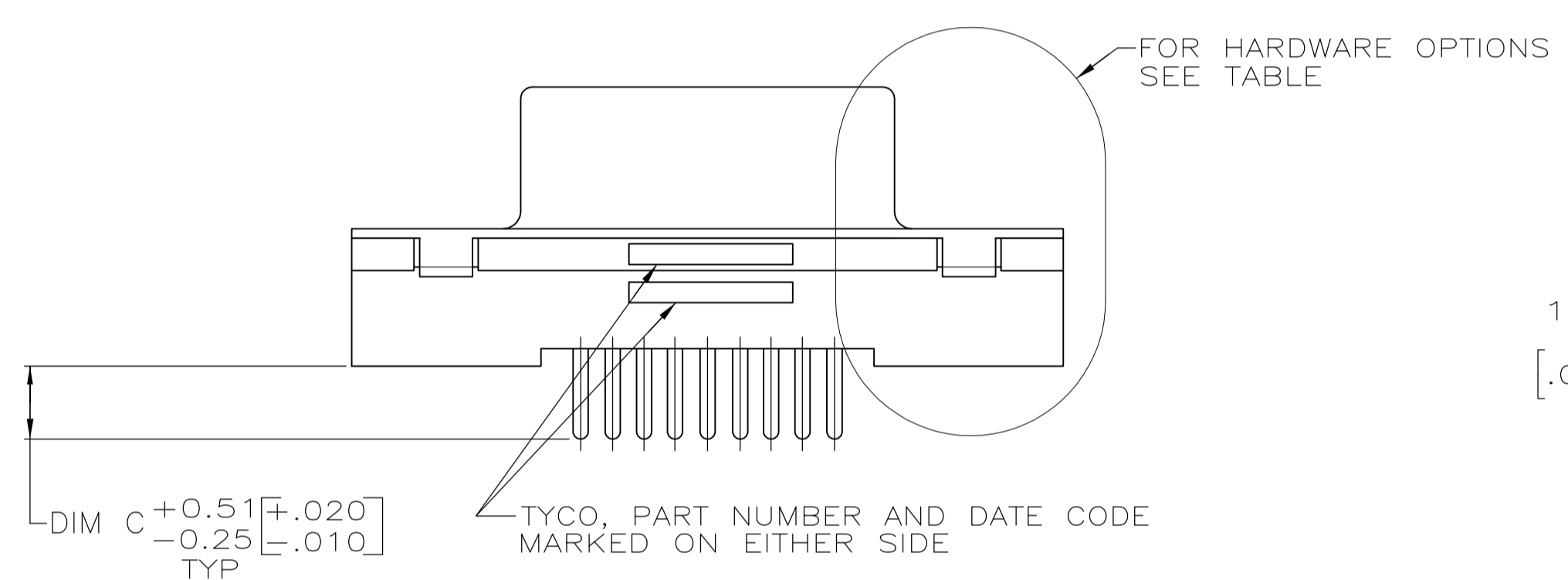
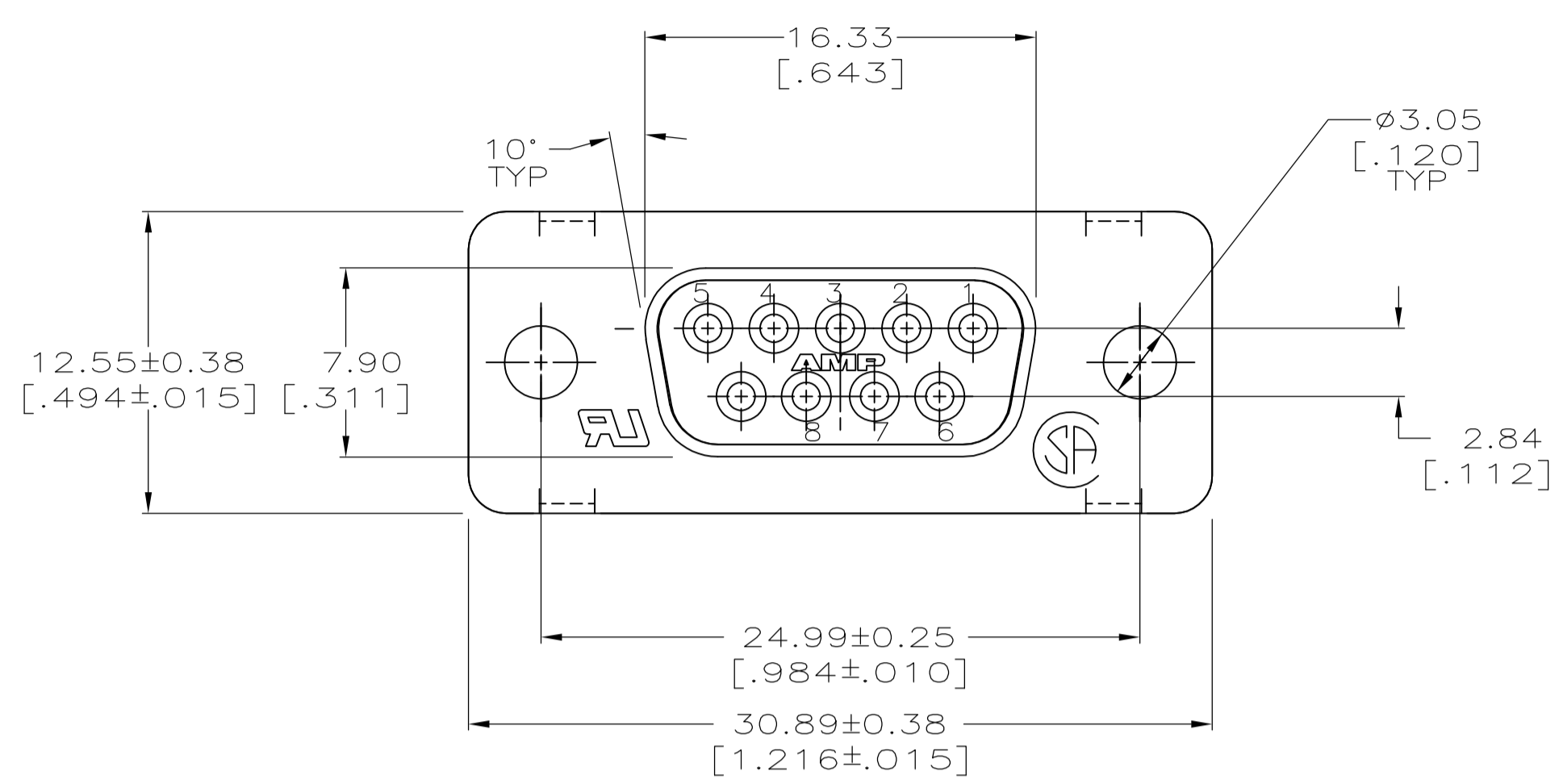


LOC	DIST	REVISIONS				
GP	00	REV	DESCRIPTION	DATE	OWN	APVD
A1		REVISED PER	ECO-11-004835	11MAR11	RK	HMR



- ⚠ MATERIAL:
 HOUSING: POLYESTER, UL 94V-0 RATED, BLACK.
 SHELL: CARBON STEEL.
 CONTACTS: PHOS. BRONZE.
 SCREWLOCKS: ZINC
 INSERTS: BRASS
- ⚠ FINISH:
 SHELL: 5.08 μ m [.000200] MIN TIN OVER 2.54 μ m [.000100] MIN COPPER.
 CONTACTS: SEE TABLE.
- ⚠ GOLD FLASH FOR A LENGTH OF 2.54 [.100] MIN FROM MATING END, 2.54 μ m [.000100] MIN TIN ON OPPOSITE END, OVER 1.27 μ m [.000050] MIN NICKEL.
- ⚠ 0.76 μ m [.000030] MIN GOLD FOR A LENGTH OF 2.54 [.100] MIN FROM MATING END, 2.54 μ m [.000100] MIN TIN ON OPPOSITE END, OVER 1.27 μ m [.000050] MIN NICKEL.
- ⚠ DATUMS AND BASIC DIMENSIONS ESTABLISHED BY CUSTOMER.
- ⚠ 2.79 [.110] MAX IN SHELL TAB CLINCH AREAS.

W/FEMALE SCREWLOCKS PER DETAIL E	⚠ 4	4.32 [.170]	1-5747150-6
	⚠ 4	3.18 [.125]	1-5747150-4
	⚠ 3	3.18 [.125]	1-5747150-3
W/THREADED INSERTS PER DETAIL D	⚠ 4	4.32 [.170]	5747150-9
	⚠ 4	3.18 [.125]	5747150-8
	⚠ 3	3.18 [.125]	5747150-7
WO/FEMALE SCREWLOCKS OR THREADED INSERTS AS SHOWN	⚠ 4	4.32 [.170]	5747150-4
	⚠ 4	3.18 [.125]	5747150-2
HARDWARE OPTIONS	CONTACTS FINISH	C	PART NO

THIS DRAWING IS A CONTROLLED DOCUMENT.		DWG: B. MCMASTER 18MAY05	TE Connectivity	
DIMENSIONS: MM [INCHES]		CHK: S. BOLASH 18MAY05	NAME: M. WALMSLEY 18MAY05	
TOLERANCES UNLESS OTHERWISE SPECIFIED:		RECEPTACLE ASSEMBLY, SIZE 1, 9 POSITION FRONT METAL SHELL, WITH OR WITHOUT SCREWLOCKS OR INSERTS.		
0 PLC	± -	PRODUCT SPEC	108-40025	
1 PLC	± -	APPLICATION SPEC	114-40023	
2 PLC	± 0.13 [.005]	SIZE	A1	00779
3 PLC	± -	WEIGHT	-	
4 PLC	± -	CUSTOMER DRAWING	SCALE 4:1 SHEET 1 OF 1 REV A1	
ANGLES	± -			