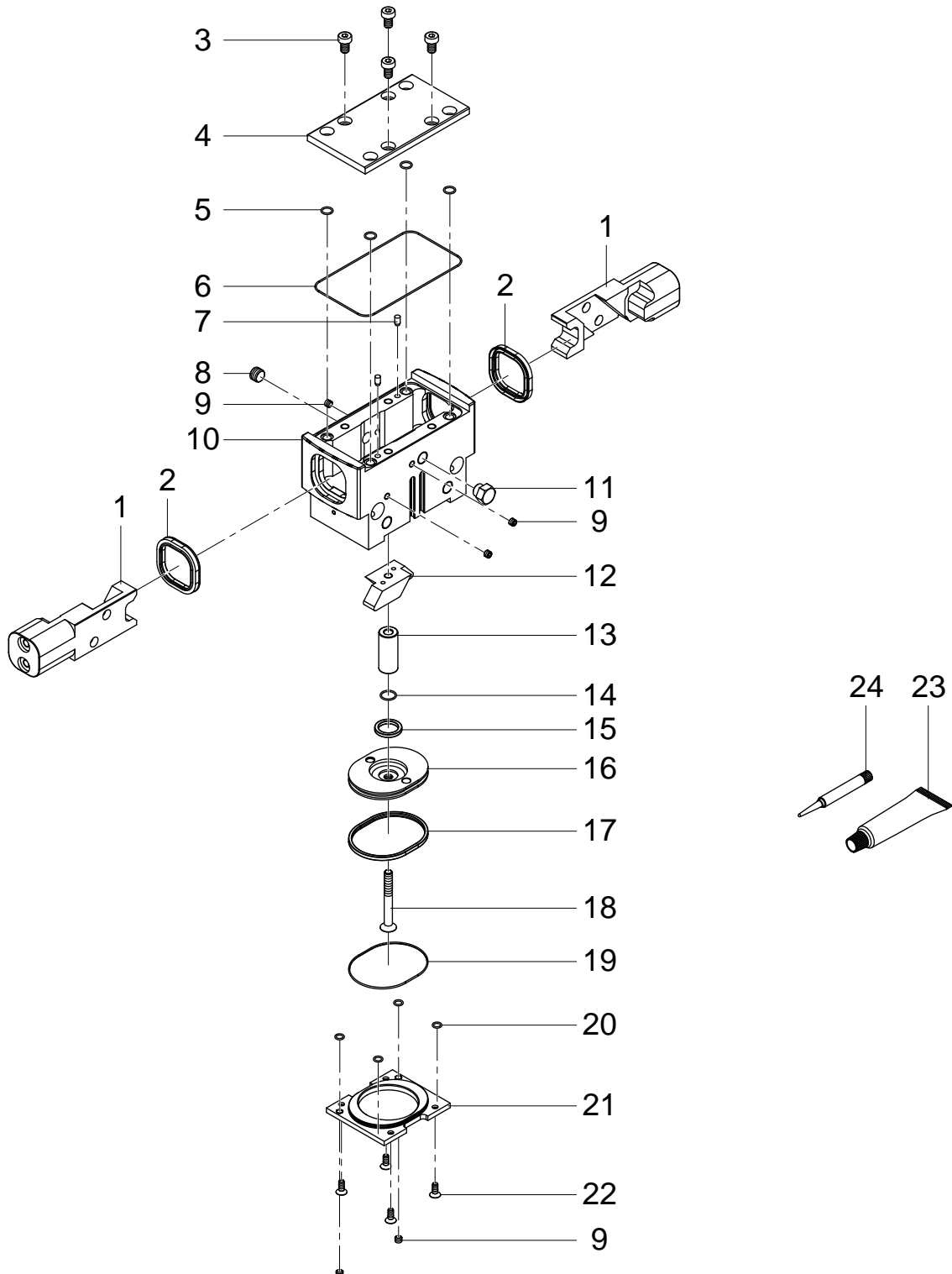


1132954 HGPD-63-A Parallel gripper - Series: All



1132954 HGPD-63-A Parallel gripper - Series: All

Pos.	Part no.	Type	Note	Qty.	Unit
A	1974947	HGPD-63-A Set of wearing parts	Spare parts: 2, 3, 5, 6, 11, 14, 15, 17, 18, 19, 20, 22, 23, 24	1	PC
1			Not available Grease using during assembly. See position 23	2	PC
2			Not available separately, see position A Grease using during assembly. See position 23	2	PC
3			Not available separately, see position A	4	PC
4			Not available	1	PC
5			Not available separately, see position A	4	PC
6			Not available separately, see position A	1	PC
7			Not available	2	PC
8			Not available	1	PC
9			Not available	5	PC
10			Not available	1	PC
11			Not available separately, see position A Lubricate with Molykote BR2 during assembly	1	PC
12			Not available Grease using during assembly. See position 23	1	PC
13			Not available Grease using during assembly. See position 23	1	PC
14			Not available separately, see position A	1	PC
15			Not available separately, see position A Grease using during assembly. See position 23	1	PC
16	735827	HGPT-63-A-B Piston module		1	PC
17			Not available separately, see position A Grease using during assembly. See position 23	1	PC
18			Not available separately, see position A Use locking compound. See position 24	1	PC
19			Not available separately, see position A Grease using during assembly. See position 23	1	PC
20			Not available separately, see position A Grease using during assembly. See position 23	4	PC
21			Not available	1	PC
22			Not available separately, see position A Use locking compound. See position 24	4	PC
23	665354	LUB-KB1-SILIKONFREI-20ML Lubricating grease	Only for piston chamber!	1	PC
24	8181256	CYBERBOND TM44 TB1ML Adhesive bonding agent		1	PC