

Display Unit for Linear Scale KA-200 COUNTER



High-brightness LED for sharp readings and sub-display for operation clarity

Digital Scale and DRO Systems



Catalog No. E13012

Mitutoyo



Display Unit for Linear Scale KA-200 COUNTER



FEATURES

- Adjustable high-brightness LED enhances visibility.
- Operation visualization display (macro function) realizes high operability.
- Scale tester feature improves maintainability.
- High-versatility USB 2.0 output (optional)

SPECIFICATIONS

Model	KA-200
Resolution	With AT100 Series: 0.05 - 0.0001 mm With AT715: 0.01 - 0.001 mm
Scale input ports	2 or 3
Display type / digit	7-segment, 8-digit + sign + 8-character alphabet LED display
Output (optional)	RS-232C / USB
Macro functions	Rectangular drilling and round milling newly added
Main features	Feed speed display; taper machining function; tool data; multi-point compensation; scale check function; calculation function
Dimensions	Size (WxDxH) 30x168x70mm

APPLICATION EXAMPLES

- ★ General milling machines
- ★ General lathes
- ★ Inspection and research equipment

Mitutoyo Corporation

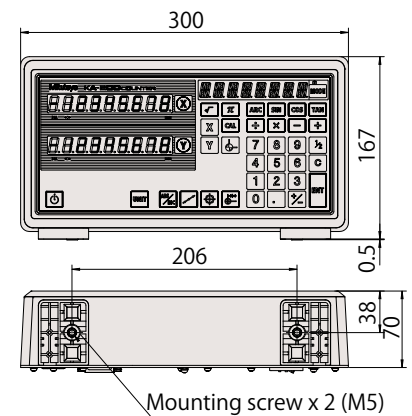
20-1, Sakado 1-Chome,
Takatsu-ku, Kawasaki-shi,
Kanagawa 213-8533, Japan
T +81 (0) 44 813-8230
F +81 (0) 44 813-8231
<http://www.mitutoyo.co.jp>

Note: All information regarding our products, and in particular the illustrations, drawings, dimensional and performance data contained in this pamphlet, as well as other technical data are to be regarded as approximate average values. We therefore reserve the right to make changes to the corresponding designs, dimensions and weights. The stated standards, similar technical regulations, descriptions and illustrations of the products were valid at the time of printing. Only quotations submitted by ourselves may be regarded as definitive.
Our products are classified as regulated items under Japanese Foreign Exchange and Foreign Trade Law. Please consult us in advance if you wish to export our products to any other country. If the purchased product is exported, even though it is not a regulated item (Catch-All controls item), the customer service available for that product may be affected. If you have any questions, please consult your local Mitutoyo sales office.



DIMENSIONS

Unit: mm



*Mounting screw pitch same as the KA-10 Series

Planned release: January 2015

Export permission by the Japanese government may be required for exporting our products according to the Foreign Exchange and Foreign Trade Law. Please consult our sales office near you before you export our products or you offer technical information to a nonresident.

Coordinate Measuring Machines

Vision Measuring Systems

Form Measurement

Optical Measuring

Sensor Systems

Test Equipment and Seismometers

Digital Scale and DRO Systems

Small Tool Instruments and Data Management