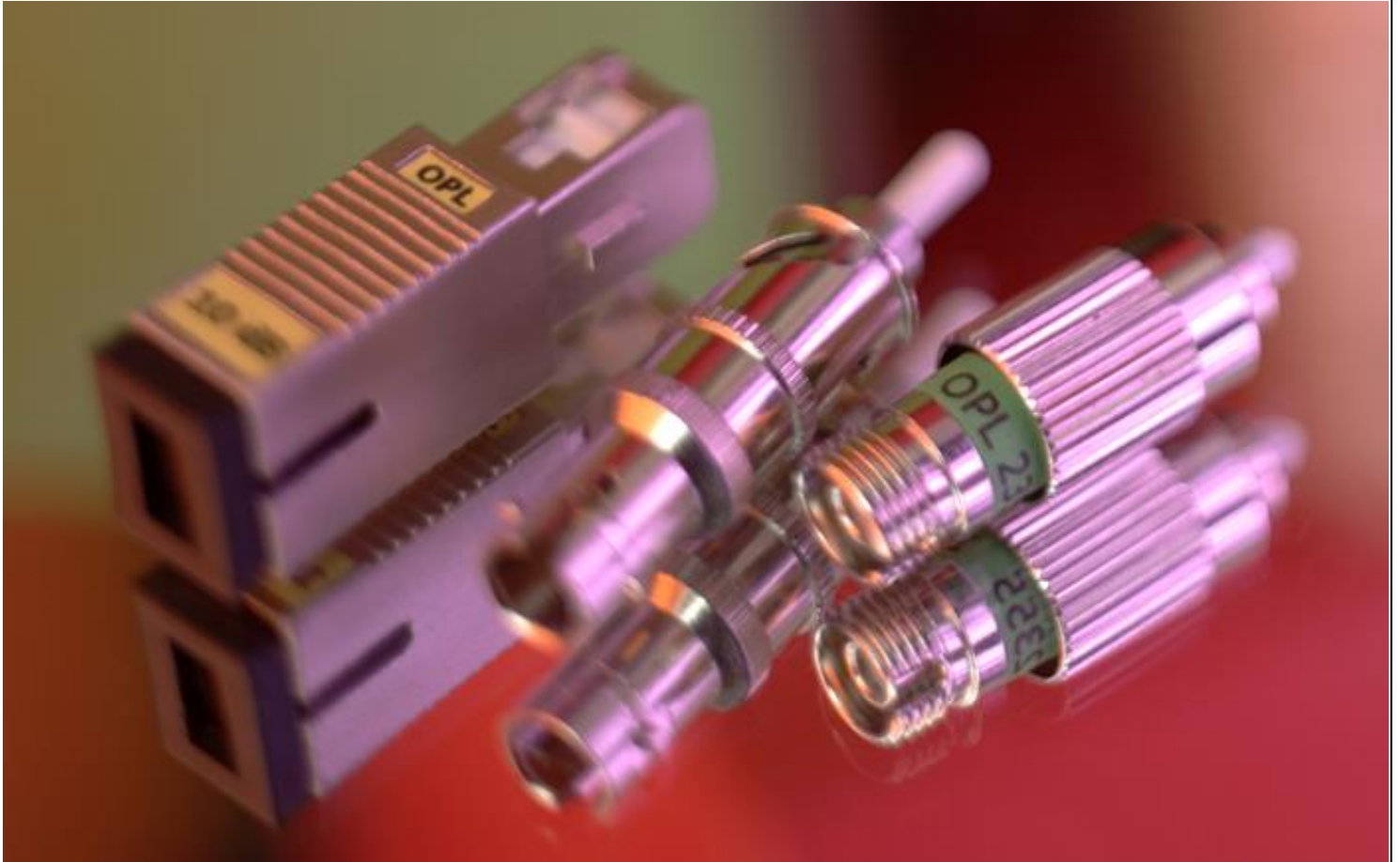
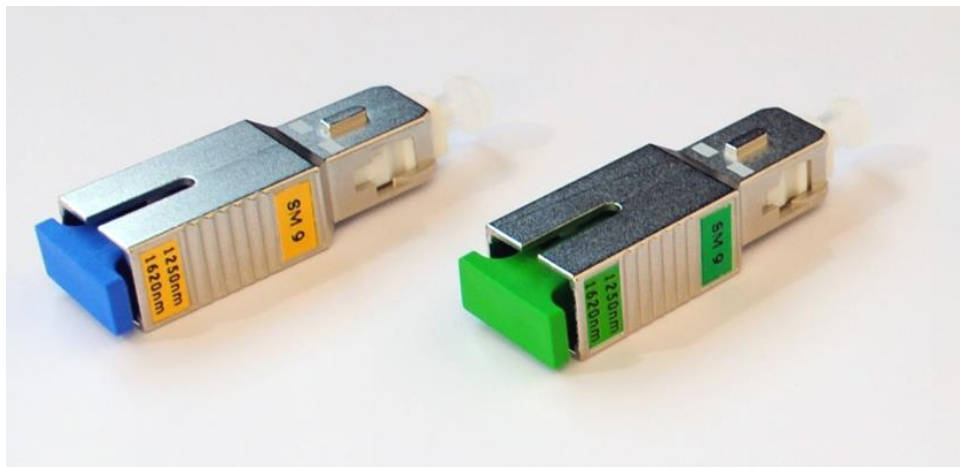


SC SM Plug-type Attenuator



T E C H N I C A L S P E C I F I C A T I O N



GENERAL

This specification concerns the requirement of the SC SM Plug-type Attenuator.

MODELS AVAILABLE

The SC Plug-type Attenuator is available in the following standard versions:

- PC : blue rear dust cap, yellow label.
- APC : green rear dust cap, green label.

OPTICAL CHARACTERISTICS

Attenuated Fibre Characteristics

Fibre	Long Attenuated Fibre with mode cladding suppression to eliminate modal noise present in the cladding.
Wavelength	1250 ÷ 1620 nm
Polarisation Dependent Loss (PDL)	< 0.1 dB
Power Endurance	100 mW
Peak Power Endurance	15 minutes exposure of 900 mW power light

Typical Attenuation Tolerance

Nominal Value [dB]	Standard Tolerance [dB]	Narrow Tolerance [dB]
1 ÷ 5	± 0.5	± 0.3
6 ÷ 10	± 10%	± 6 %
11 ÷ 20, 25 and 30	± 10%	± 6 %

Other attenuation tolerances are available on request.

Return Loss [dB]

	PC (Grade 2)	UPC	APC (Grade 1)
SM	> 45	> 50	> 60

M E C H A N I C A L C H A R A C T E R I S T I C S

Mating Durability >1000 connections

Vibration Frequency range: 10-55Hz
Amplitude: 1.5mm
3 axis for 2 hours, 24 cycles (SC type)

Variation Range of the Attenuation
+/- 0.5dB (1-10dB)
+/- 5% (11-20dB)

Repeatability Times of matching: 500 times
(Plug in and pull out on both ferrule side and plug side for one matching)

+/- 0.5dB (1-10dB)
+/- 5% (11-20dB)

Drop/free-fall Dropping the specimen onto the steel plate from 1000 mm height for 3 times

+/- 0.5dB (1-10dB)
+/- 5% (11-20dB)

E N V I R O N M E N T A L S P E C I F I C A T I O N

	min	max
Operating Temperature [°C]	-25	+80
Storage Temperature [°C]	-40	+85

STANDARD PACKAGING

Information on the SC attenuator housing – see drawing below

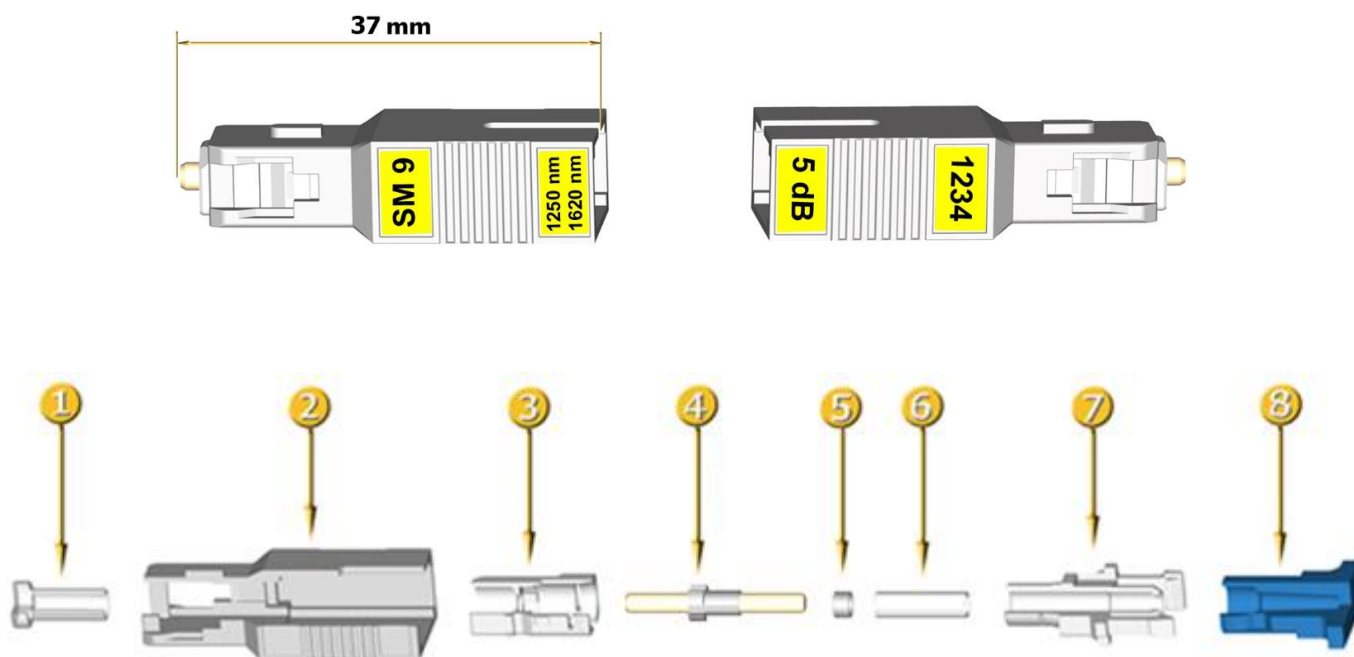
- Attenuation Value
- Fiber Type
- Serial Number
- Wavelength

Single packaging in transparent plastic bag with label - Information on the label as above.

Carton box 50 attenuators, label with product description and quantity.

No logo nor any Optoplast marking on the product and on the packaging.

TECHNICAL DRAWINGS



M A T E R I A L S

N°	Component	Material
1	Ferrule Cap	PE LD
2	External Housing	Nickel Plated Zinc Alloy
3	Internal Housing	PBT 20% FRP
4	Ferrules with Flange	Zirconia and Stainless Steel
5	Ring	Nickel Plated Brass
6	Sleeve	Zirconia
7	Sleeve Retainer	PBT 20% FRP
8	Rear Dust Cap	PBT 20% FRP

Optoplast products are **RoHS** and **REACH** compliant.

The components of the attenuator are **UL94-V0** compliant.

E N D O F S P E C I F I C A T I O N