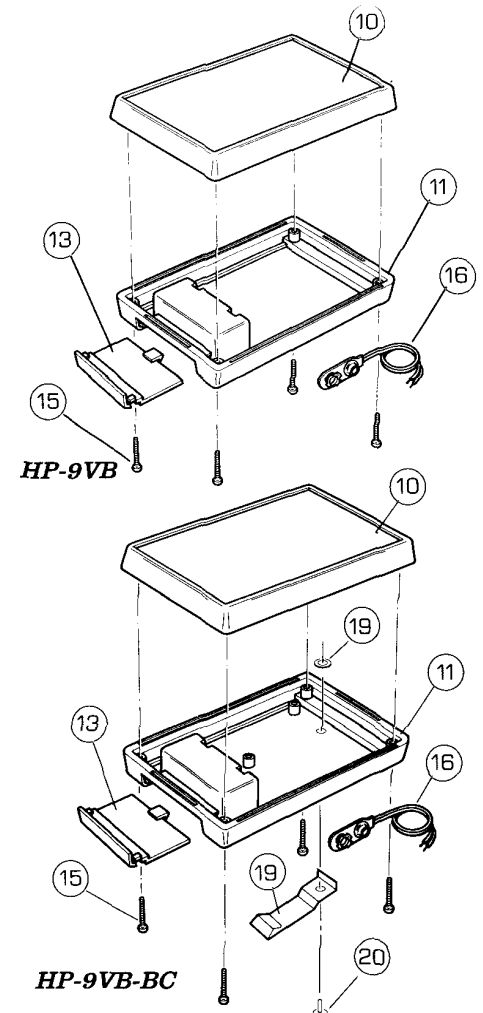
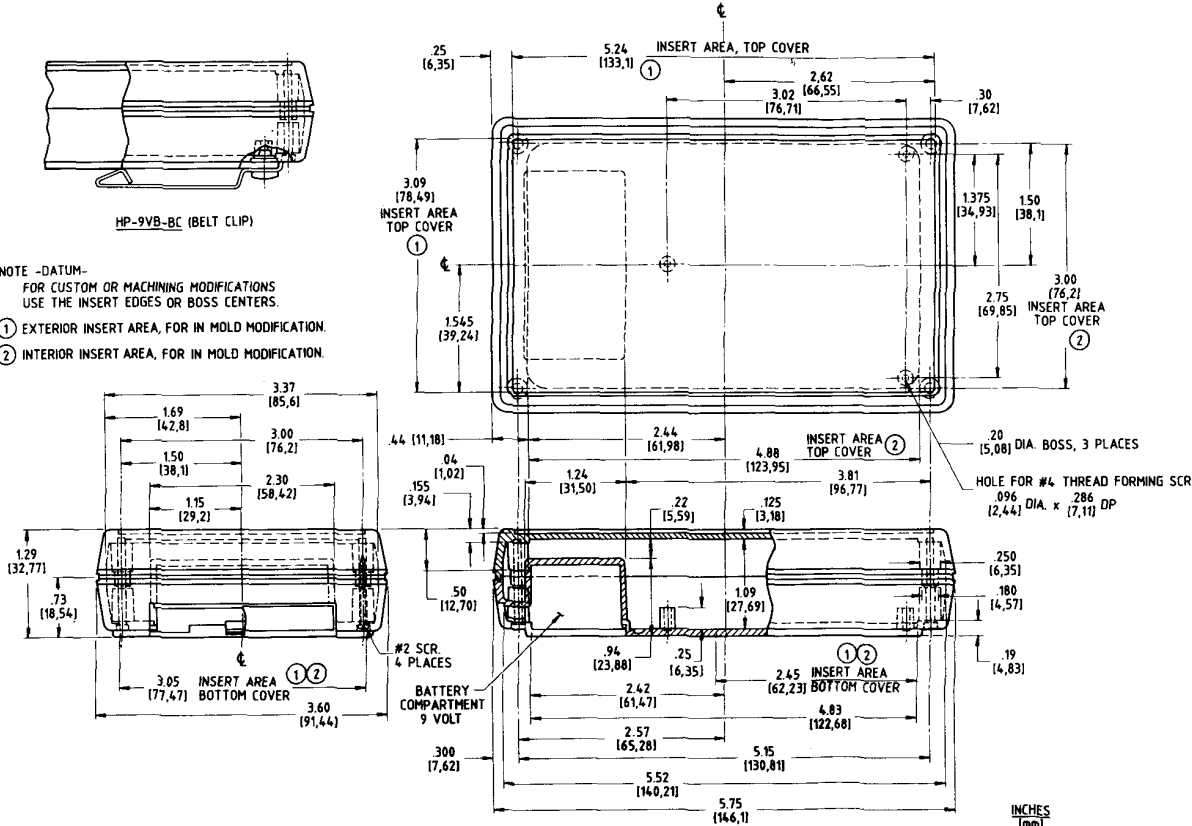


HP-9VB-BC (BELT CLIP)

NOTE -DATUM-
FOR CUSTOM OR MACHINING MODIFICATIONS
USE THE INSERT EDGES OR BOSS CENTERS.

① EXTERIOR INSERT AREA, FOR IN MOLD MODIFICATION.
② INTERIOR INSERT AREA, FOR IN MOLD MODIFICATION.

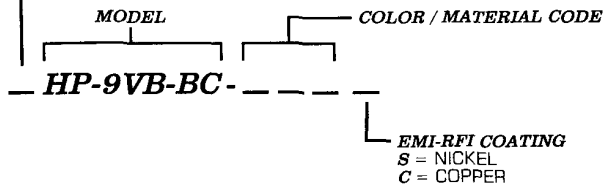


HP-9VB

HP-9VB-BC

MODEL NUMBER GENERATION

K = KIT
P = PRODUCTION UNIT



COLOR / MATERIAL CODE		
COLOR	94HB	94VO
BLACK	000	028
GREY	001	024
TAN	002	025
P.C.BONE	039	060

ITEM	PART NUMBER	DESCRIPTION	HP-9VB		HP-9VB-BC	
			PROD	KIT	PROD	KIT
20	60535-01	RIVET	-	-	1	1
19	60534-01	WASHER	-	-	1	1
18	63449-01	BELT CLIP	-	-	1	1
16	80583-01	CONNECTOR, BATTERY	1	1	1	1
15	60228-02	SCREW, #2X.68LG	4	4	4	4
13	60566-01-XXX	DOOR, BATTERY	1	1	1	1
11	60803-01-XXX	BOTTOM COVER	-	-	1	1
11	60360-01-XXX	BOTTOM COVER	1	1	-	-
10	60247-01-XXX	TOP COVER	1	1	1	1

