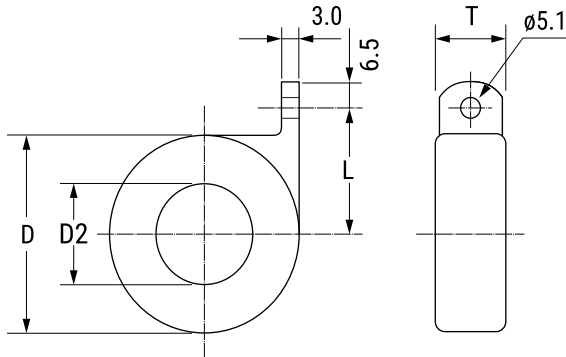


KEMET Part Number: ESD-R-25B
(UECESDR25B0000)

KEMET, ESD-R-B, EMI Cores, Noise Suppression



Dimensions

D	29.3mm +/-1.0mm
D2	13.9mm +/-1.0mm
L	23mm +/-1.0mm
T	15mm MAX

Packaging Specifications

Packaging:	Tray, Box
Packaging Quantity:	300
Weight:	21.8 g

General Information

Series:	ESD-R-B
Style:	Round - Snail
Cable Type:	Round Cable
Description:	EMI Core Solid, For Round Cables, Toroidal Cores
Features:	Snail Shaped Case
RoHS:	Yes
Qualifications:	UL94 V-2
Case Color:	White
Toroidal:	ESD-R-25S
Materials:	Mn-Zn

Specifications

Temperature Range:	-25/+60°C
Effective Frequency:	10 MHz (AM Band Range)

Statements of suitability for certain applications are based on our knowledge of typical operating conditions for such applications, but are not intended to constitute - and we specifically disclaim - any warranty concerning suitability for a specific customer application or use. This Information is intended for use only by customers who have the requisite experience and capability to determine the correct products for their application. Any technical advice inferred from this Information or otherwise provided by us with reference to the use of our products is given gratis, and we assume no obligation or liability for the advice given or results obtained.