

# .050" Round, Jacketed, Flat Cable

28 AWG Stranded, Mass-Term, PVC/PVC

3759 Series



- Round construction permits easier routing
- 28 AWG wire on .050 inch centers permits mass termination to broad line of IDC connectors
- Continuous split/bond repeat allows for mass termination on 2.4 inch centers (approximate)
- Meets external wiring requirements of National Electrical Code, Article 725 (CL2)
- Primary cable is zippable for branching or discrete terminations.
- UL listed for USA and Canadian markets

Date Issued: July 29, 1999

TS-0070-18  
Sheet 1 of 2

187

## Physical

### Jacket


Material: Polyvinyl Chloride (PVC)

Color: Black

**Primary Material:** PVC

Color: Gray

### Marking

Standard: (UL) CL2 75C 28 AWG OR AWM 20267 3M NU  AWM IIA/B 80C 300V FT1  
EU <50V

**Conductors:** 28 AWG 7 x 36 [ 7 x 0.127 ] Tinned Stranded Copper

**Inner Wrap:** Polyester Film

## Electrical

**Voltage Rating:** USA: N.E.C. 725, CL2 or AWM; 300V      Canada: 300V      EU: <50V

**Insulation Resistance:** (Primary Cable) > 1 x 10<sup>10</sup> Ω/10 ft. [ 3m ]

	Unbalanced	Balanced
<b>Characteristic Impedance:</b>	90 Ω	133 Ω
<b>Capacitance:</b>	16.7 pF/ft (54.8 pF/m)	11.9 pF/ft (39.0 pF/m)
<b>Inductance:</b>	.14 μH/ft (0.46 μH/m)	.21 μH/ft (0.69 μH/m)
<b>Propagation Delay:</b>	1.50 ns/ft (4.92 ns/m)	1.58 ns/ft (5.18 ns/m)
<b>Velocity of Propagation:</b>	68%	64%

Note: Unbalanced is measured between ground-signal-ground conductors. Balanced is measured between conductors within a pair.

## Environmental

**Temperature Rating:** USA: CL2; 75°C or AWM; -20°C to +80°C      Canada: 80°C

**Flammability Rating:** USA: N.E.C. 725, CL2      Canada: FT1

UL File No.: E118773, Power Limited Circuit Cable: CL2 (or AWM Style 20267)

### 3M Electronic Products Division

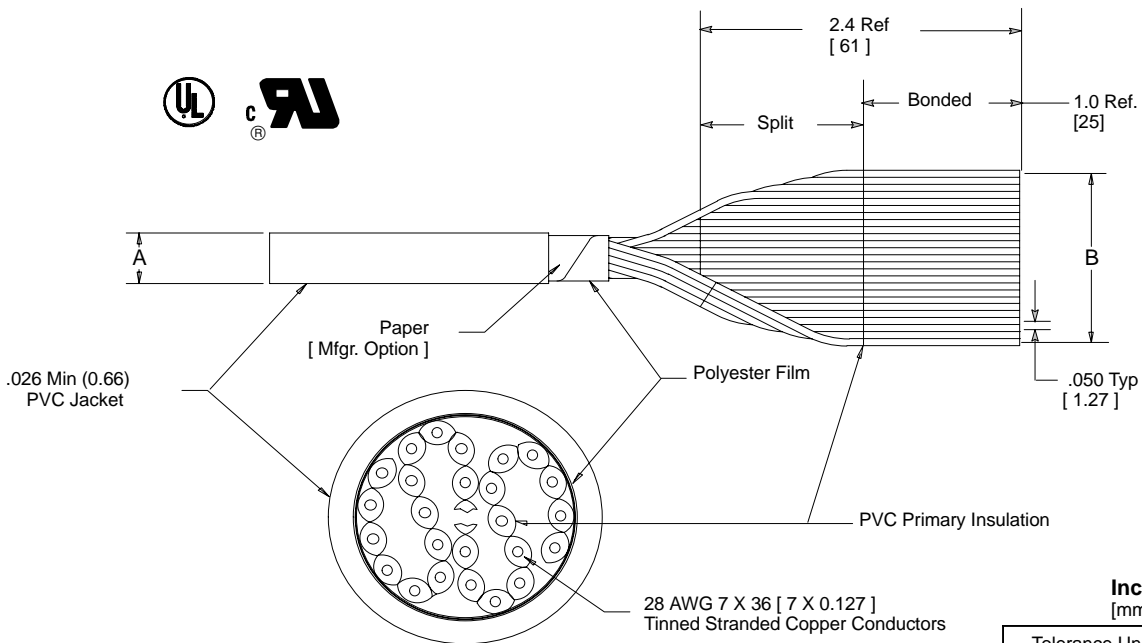
6801 River Place Blvd.  
Austin, TX 78726-9000

For technical, sales or ordering information call  
**800-225-5373**

**.050" Round, Jacketed, Flat Cable**  
**28 AWG Stranded, Mass-Term, PVC/PVC**

**3759 Series**

Number of Conductors	3M Part Number	Dimension A ± .03	Dimension B (See Note 2)
09	<b>3759/09</b>	0.26 [ 6.6 ]	0.40 [ 10.2 ]
10	<b>3759/10</b>	0.26 [ 6.6 ]	0.45 [ 11.4 ]
14	<b>3759/14</b>	0.27 [ 6.9 ]	0.65 [ 16.5 ]
15	<b>3759/15</b>	0.27 [ 6.9 ]	0.70 [ 17.8 ]
16	<b>3759/16</b>	0.27 [ 6.9 ]	0.75 [ 19.1 ]
20	<b>3759/20</b>	0.30 [ 7.6 ]	0.95 [ 24.1 ]
24	<b>3759/24</b>	0.33 [ 8.4 ]	1.15 [ 29.2 ]
25	<b>3759/25</b>	0.33 [ 8.4 ]	1.20 [ 30.5 ]
26	<b>3759/26</b>	0.33 [ 8.4 ]	1.25 [ 31.8 ]
30	<b>3759/30</b>	0.37 [ 9.4 ]	1.45 [ 36.8 ]
34	<b>3759/34</b>	0.37 [ 9.4 ]	1.65 [ 41.9 ]
36	<b>3759/36</b>	0.39 [ 9.9 ]	1.75 [ 44.5 ]
37	<b>3759/37</b>	0.39 [ 9.9 ]	1.80 [ 45.7 ]
40	<b>3759/40</b>	0.39 [ 9.9 ]	1.95 [ 49.5 ]
50	<b>3759/50</b>	0.44 [ 11.2 ]	2.45 [ 62.2 ]
60	<b>3759/60</b>	0.47 [ 11.9 ]	2.95 [ 74.9 ]
64	<b>3759/64</b>	0.50 [ 12.7 ]	3.15 [ 80.0 ]



**Notes:**

1. Red marking on one edge of primary cable designates wire #1.
2. Dimension B pertains to bonded area only.

**Ordering Information**

**3759/XX**

Number of Conductors  
(See Table)

Note: Available in standard length of 100 or 300 ft/roll, please specify when ordering.

TS-0070-18  
Sheet 2 of 2

**3M Electronic Products Division**

6801 River Place Blvd.  
Austin, TX 78726-9000

For technical, sales or ordering information call  
**800-225-5373**