

## SKI



The SKI is the slimline version of a safety switch with a separate actuator. It is based on the BERNSTEIN I88 family. Its dimensions, not including the actuating head, correspond to EN 50047.

The actuating head is rotary mounted and has two actuator openings. The SKI safety switch is predestined for installation on section structures and in applications with confined installation conditions. Compared to the SKT, it offers more connection space for the wiring and variants with up to three switching contacts available.

Other advantages of this series include:

- **Integrated eject function (FE):**

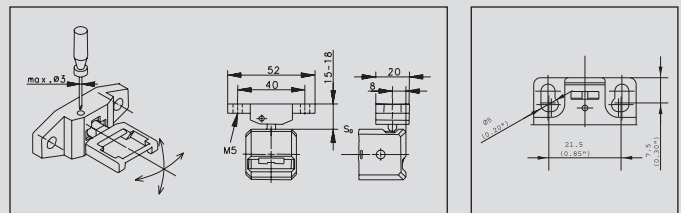
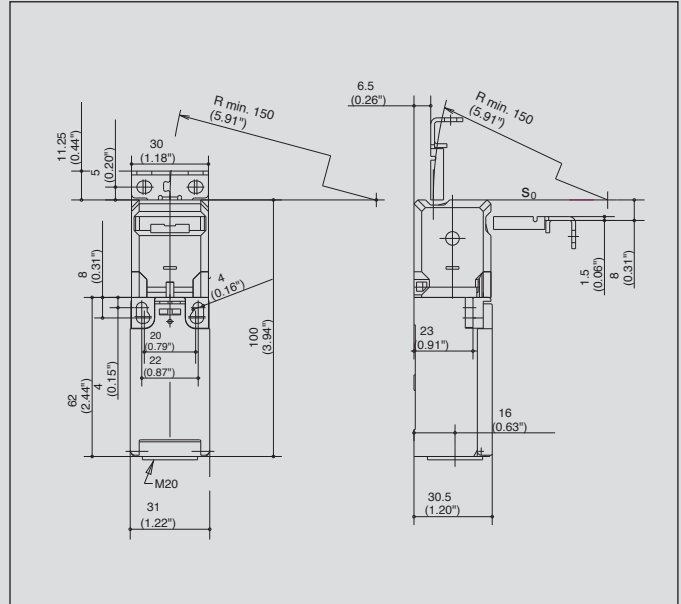
The actuator is ejected if the door is not locked securely. Consequently, the safety contact is opened, thus preventing the machine from starting up. In addition, this function makes it apparent that the door still needs to be locked.

- **Actuating force (up to 50 N):**

The standard actuating force is 10 N. Depending on the switch variant, an actuating force of 50 N can also be selected. In many applications, hatches and doors need to be secured to prevent them from being opened unintentionally. This is achieved by means of bolts, fasteners or other latching mechanisms. The SKI safety switch should be selected for applications requiring increased actuating force.

- **Universal radius actuator (MRU):**

The MRU actuator is ideally suited for applications where the installation conditions severely restrict the actuating travel or radius. It has an adjustable actuating radius in the horizontal and vertical plane.



$R_{min}$  in setting directions 50 mm  
Actuating forces FE to FI50

### Technical data

Electrical data		
Rated insulation voltage	$U_i$ max.	250 V AC
Rated operating voltage	$U_e$ max.	240 V
Conventional thermal current (up to) <sup>①</sup>	$I_{the}$	10 A
Utilization category (up to) <sup>①</sup>		AC-15, $U_e / I_e$ 240 V / 3 A
Mechanical data		
Switching frequency		≤ 30/min.
Mechanical service life Standard		1 x 10 <sup>6</sup> switching cycles
Mechanical service life increased actuator holding force		1 x 10 <sup>5</sup> switching cycles
B10d (up to) <sup>①</sup>		2 Mill.
Short-circuit protection		Fuse 6 A gL/gG
Protection class		II, Insulated
Ambient temperature		-30 °C to + 80 °C
Protection class		IP 65 conforming to IEC/EN 60529
Type of connection		Screw connections
Conductor cross sections		Single-wire 0.5 – 1.5 mm <sup>2</sup> or Stranded wire with ferrule 0.5 – 1.5 mm <sup>2</sup>
Enclosure		Thermoplastic, glass fibre-reinforced (UL94-V0)
Cable entry		1 x M20 x 1.5
Standards		
VDE 0660 T100, DIN EN 60947-1, IEC 60947-1		
VDE 0660 T200, DIN EN 60947-5-1, IEC 60947-5-1		

<sup>①</sup> Depending on switching system. See Table on Pages 70 – 73.