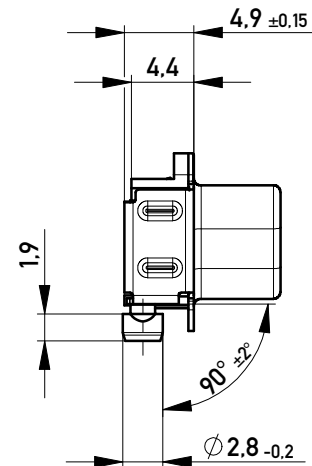
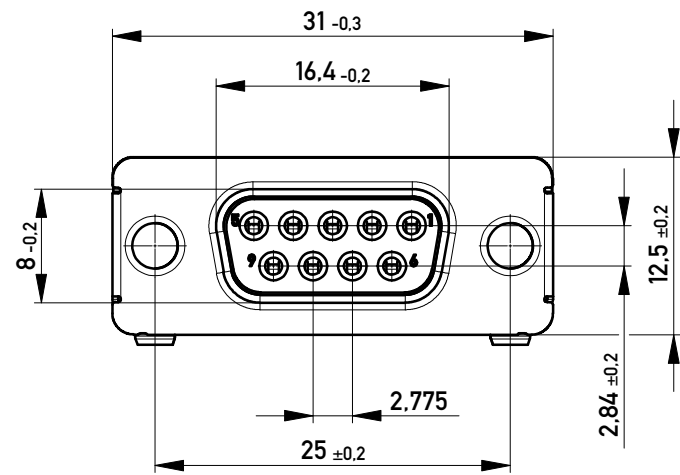
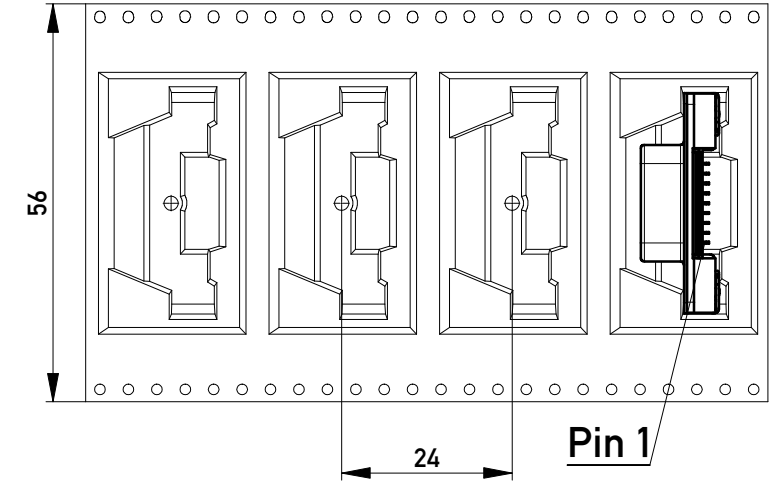
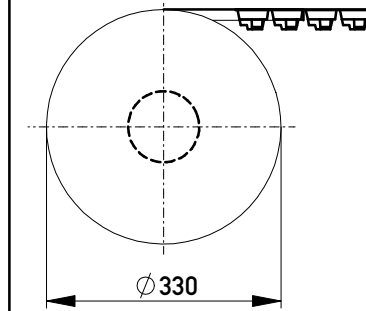
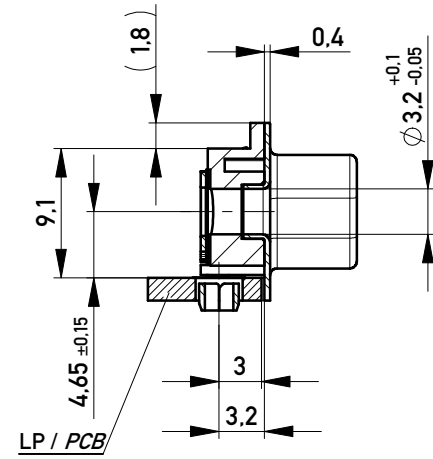
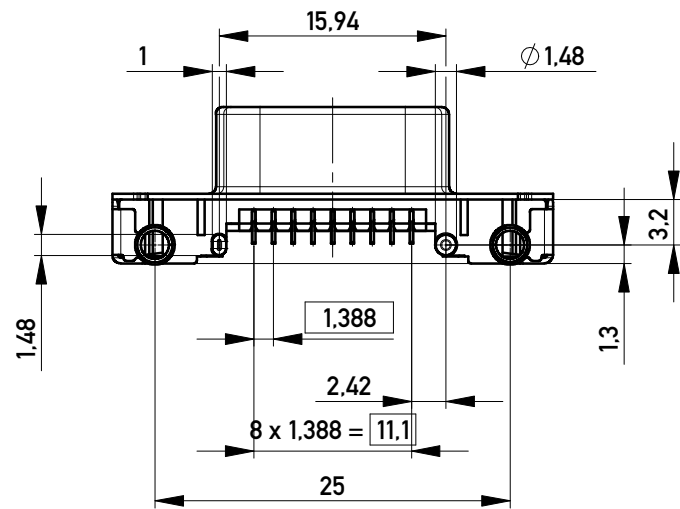


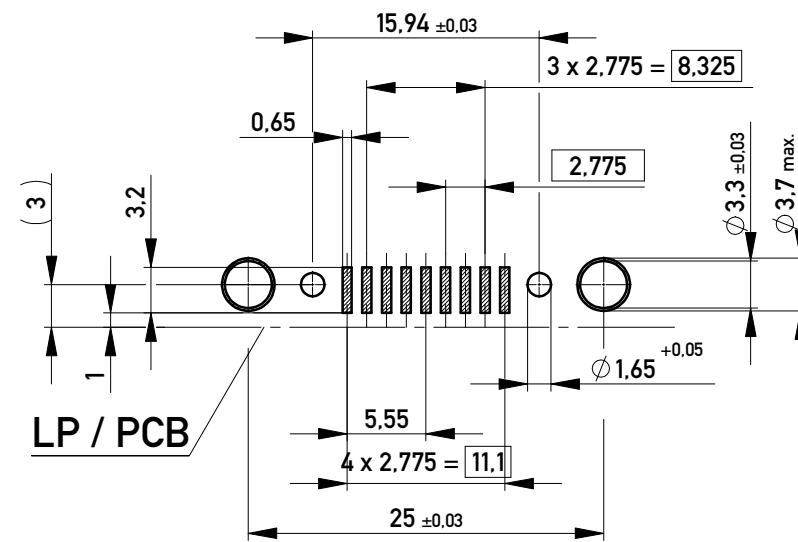
Anwendungsbeispiel
example of use

Verpackt im Gurt in Anlehnung an DIN IEC 60286-3
Tape on Reel Packaging according to DIN IEC 60286-3
Vorlaufband 48 mm / Nachlaufband 48 mm
Leader 48 mm / Trailer 48 mm
Verpackungseinheit: 220 Stück
Packaging unit: 220 pcs

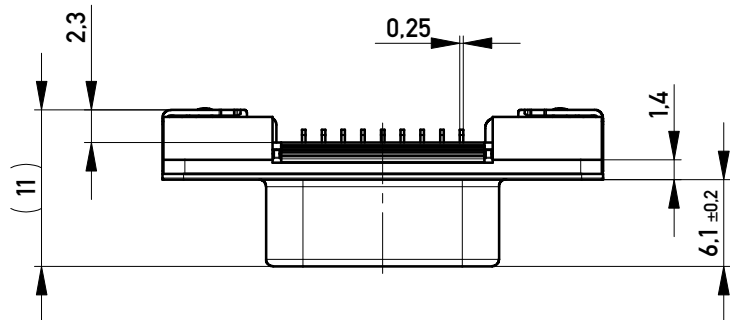
Abspulrichtung - Reel off Direction



Layoutvorschlag
recommended layout



Fehlende Masse und Angaben siehe DIN 41652 / Missing information and dimensions according to DIN 41652
Sonstige Angaben siehe Fertigungsunterlagen / Additional indications according to production documentation



Anschlussbereich verzinkt
terminal area tin plating

Koplanarität der Anschlüsse ≤ 0,1 mm
coplanarity area of termination ≤ 0,1 mm

Anforderungsstufe: 2
class: 2

394424

Ident-Nr. / part-no.
Gurt / tape on reel

Information: All rights reserved. Only for Information. To ensure that this is the latest version of this drawing, please contact one of the ERNI companies before using.	Tolerances All Dimensions in mm	Scale 2:1	Designation TMC-S-09-SMD-Slim_Line-BA8 <i>TMC-S-09-SMD-Slim Line-BA8</i>
	Subject to modification without prior notice. Drawing will not be updated.		
c	06.11.2015	Class TMCS	
Index	Date		