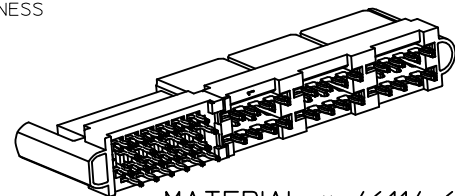
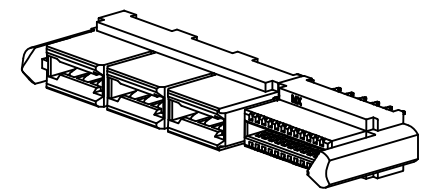


NO OF SIGNALS	MATERIAL NUMBER	COMPLIANT PIN PLATING	DIM A	DIM B	DIM C
12	46114-6120	TIN	53.01/2.087	53.51/2.107	5.45/2.15
	46114-7012	TIN-LEAD			
16	46114-6160	TIN	55.55/2.187	56.05/2.207	
	46114-7160	TIN-LEAD			
20	46114-6200	TIN	58.09/2.287	58.59/2.307	
	46114-7200	TIN-LEAD			
24	46114-6240	TIN	60.63/2.287	61.13/2.407	
	46114-7240	TIN-LEAD			
28	46114-6280	TIN	63.17/2.387	63.67/2.507	
	46114-7280	TIN-LEAD			
32	46114-6320	TIN	65.71/2.487	66.21/2.607	
	46114-7320	TIN-LEAD			
36	46114-6360	TIN	68.25/2.587	68.75/2.707	
	46114-7360	TIN-LEAD			
40	46114-6400	TIN	70.79/2.787	71.29/2.807	
	46114-7400	TIN-LEAD			

- NOTES:  
 1. MATERIAL: HOUSING: LCP, 94-V0, COLOR: BLACK.  
 POWER CONTACTS: COPPER ALLOY.  
 SIGNAL CONTACTS: MODIFIED TIN BRASS.  
 2. FINISH: SELECT GOLD - 0.75  $\mu$ M/30  $\mu$  INCHES  
 SELECTED TIN - 2.50  $\mu$ M/100  $\mu$  INCHES  
 OR SELECTED TIN-LEAD - 1.91  $\mu$ M/75  $\mu$  INCHES  
 BOTH OVER NICKEL - 1.25  $\mu$ M/50  $\mu$  INCHES  
 3. POWER TERMINALS ARE LUBRICATED IN CONTACT AREA.  
 4. PARTS ARE RoHS COMPLIANT.  
 5. MATES TO MOLEX P/N 45985-SERIES OR EDGE CARD 1.57/0.62.  
 6. PRODUCT SPECIFICATION PS-46114-001.  
 7. PACKAGING: PER PK-46114-003.



MATERIAL # 46114-6240 SHOWN

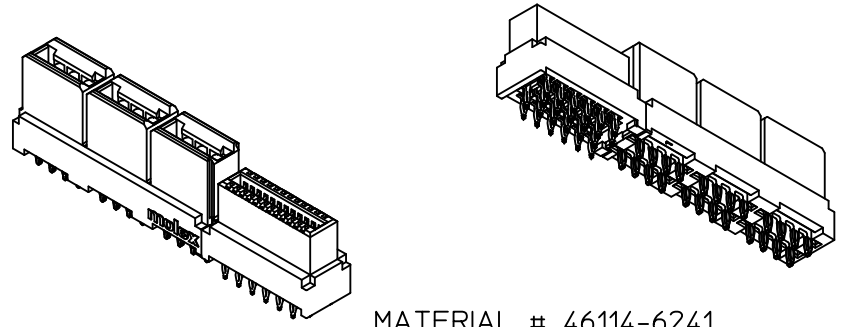
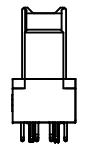
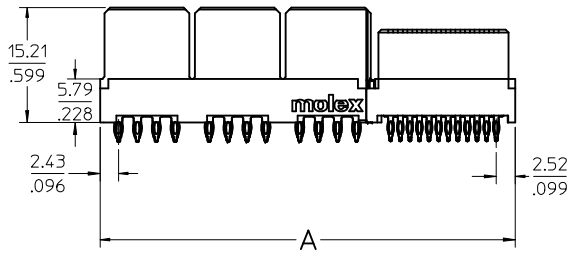
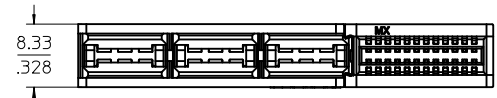


PCB COMPONENT SIDE

ADDED: PRESS FIT EC NO: UCP2010-1199 DRWN:MKARADIMAS 2009/11/30 CHKD: 2009/12/03 APPR: JCOMERC I 2009/12/08 REV DESCRIPTION	GENERAL TOLERANCES (UNLESS SPECIFIED)		DIMENSION STYLE	SCALE	DESIGN UNITS	THIRD ANGLE PROJECTION	
			MM/IN	2:1	METRIC		
			DRAWN BY	DATE	TITLE		
			DATE	LPH VERTICAL RECEPTACLE ASSEMBLY 6 CIRCUIT PWR CONNECTOR, PRESS FIT			
		CHECKED BY	DATE	MATERIAL NO.			
		DATE	DOCUMENT NO.				
		APPROVED BY	DATE	SHEET NO.			
		DATE	1 OF 3				
		ANGULAR $\pm 1/2^\circ$		SEE CHART			
DRAFT WHERE APPLICABLE MUST REMAIN WITHIN DIMENSIONS		MATERIAL NO.		SD-46114-600			
		SIZE		THIS DRAWING CONTAINS INFORMATION THAT IS PROPRIETARY TO MOLEX INCORPORATED AND SHOULD NOT BE USED WITHOUT WRITTEN PERMISSION			

13 12 11 10 9 8 7 6 5 4 3 2 1

NO OF SIGNALS	MATERIAL NUMBER	COMPLIANT PIN PLATING	DIM A	DIM B	DIM C
12	46114-6121	TIN	47.34/1.864	47.84/1.883	2.69/106
	46114-7121	TIN-LEAD			
16	46114-6161	TIN	49.88/1.964	50.38/1.983	
	46114-7161	TIN-LEAD			
20	46114-6201	TIN	52.42/2.064	52.92/2.083	
	46114-7201	TIN-LEAD			
24	46114-6241	TIN	54.96/2.164	55.46/2.183	
	46114-7241	TIN-LEAD			
28	46114-6281	TIN	57.50/2.264	58.00/2.283	
	46114-7281	TIN-LEAD			
32	46114-6321	TIN	60.04/2.364	60.54/2.383	
	46114-7321	TIN-LEAD			
36	46114-6361	TIN	62.58/2.464	63.08/2.483	
	46114-7361	TIN-LEAD			
40	46114-6401	TIN	65.12/2.564	65.62/2.583	
	46114-7401	TIN-LEAD			

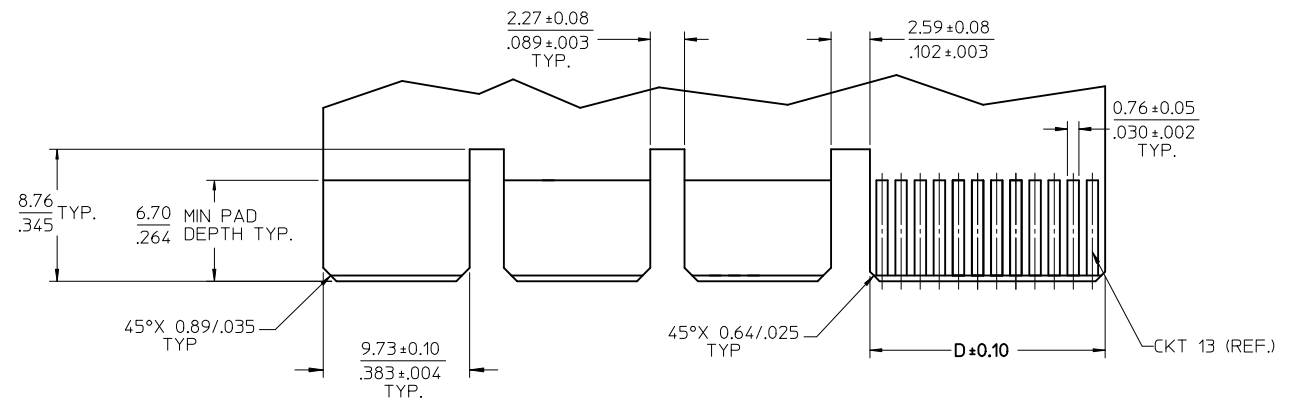
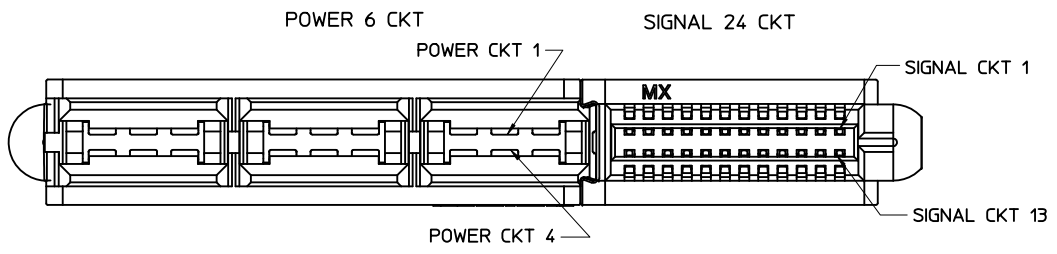


MATERIAL # 46114-6241

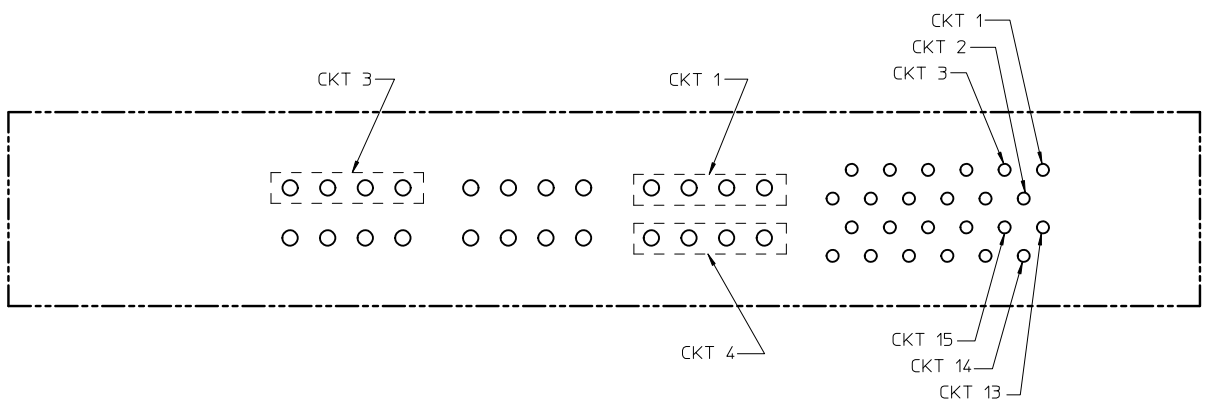
RELEASED EC NO: UCP2010-1199 DRW:MKARADIMAS 2009/11/30 CHKD: JCOMERC I 2009/12/03 APPR: JCOMERC I 2009/12/08 REV: C1	QUALITY SYMBOLS	GENERAL TOLERANCES (UNLESS SPECIFIED)	DIMENSION STYLE MM/IN	SCALE 2:1	DESIGN UNITS METRIC	THIRD ANGLE PROJECTION
		mm INCH 4 PLACES ± --- ± --- 3 PLACES ± --- ± .010 2 PLACES ± 0.25 ± --- 1 PLACE ± --- ± --- ANGULAR ± 1/2°	DRAWN BY DATE MKARADIMAS 20051128 CHECKED BY DATE APATEL 10/13/06 APPROVED BY DATE JCOMERC I 2009/12/03	TITLE	LPH VERTICAL RECEPTACLE ASSEMBLY 6 CIRCUIT PWR CONNECTOR, PRESS FIT	
		DRAFT WHERE APPLICABLE MUST REMAIN WITHIN DIMENSIONS	SEE CHART	MOLEX MOLEX INCORPORATED DOCUMENT NO. SD-46114-600		SHEET NO. 2 OF 3
				THIS DRAWING CONTAINS INFORMATION THAT IS PROPRIETARY TO MOLEX INCORPORATED AND SHOULD NOT BE USED WITHOUT WRITTEN PERMISSION		

12 11 10 9 8 7 6 5 4 3 2 1

NO OF SIGNAL	DIM. D
12	8.00/.315
16	10.54/.415
20	13.08/.515
24	15.62/.615
28	18.16/.715
32	20.70/.815
36	23.24/.915
40	25.78/1.015



RECOMMENDED EDGE CARD LAYOUT  
 EDGE CARD THICKNESS: 157/.062  
 PLATING: GOLD 30 μ INCHES MIN.  
 OVER 150 μ INCHES NICKEL.



PCB LAYOUT: COMPONENT SIDE  
 SEE SHT 1 FOR DIMENSIONS.

RELEASED IEC NO: UCP2010-1199 DRWN:MKARADIMAS 2009/11/30 CHKD: 2009/12/03 APPR: JCOMERCI 2009/12/08	GENERAL TOLERANCES (UNLESS SPECIFIED)		DIMENSION STYLE MM/IN		SCALE 1:1	DESIGN UNITS METRIC	THIRD ANGLE PROJECTION
		mm	INCH	DRAWN BY MKARADIMAS	DATE 20051128	TITLE LPH VERTICAL RECEPTACLE ASSEMBLY 6 CIRCUIT PWR CONNECTOR, PRESS FIT	
	4 PLACES	± .---	± .---	CHECKED BY APATEL	DATE 10/13/06	MOLEX INCORPORATED	
	3 PLACES	± .---	± .010	APPROVED BY JCOMERCI	DATE 2009/12/03	DOCUMENT NO. SD-46114-600	SHEET NO. 3 OF 3
	2 PLACES	± 0.25	± .---	DRAFT WHERE APPLICABLE MUST REMAIN WITHIN DIMENSIONS			
	1 PLACE	± .---	± .---	SEE CHART			
	ANGULAR ±1/2°		THIS DRAWING CONTAINS INFORMATION THAT IS PROPRIETARY TO MOLEX INCORPORATED AND SHOULD NOT BE USED WITHOUT WRITTEN PERMISSION				