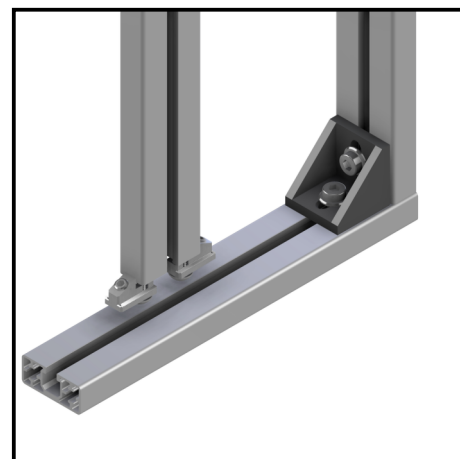
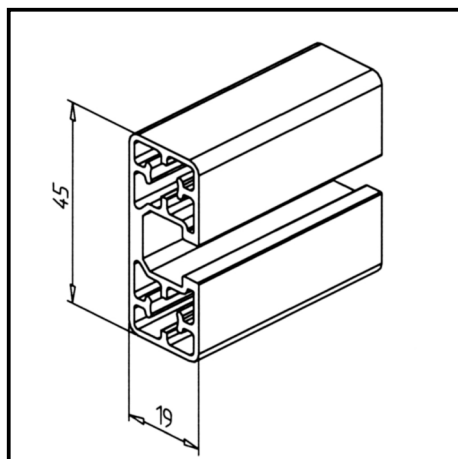
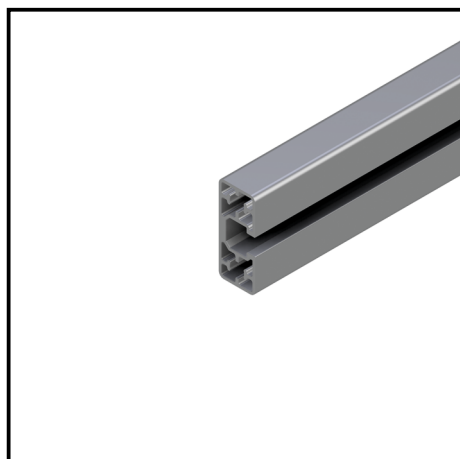


PROFILE 45 X 19

Article Nr. 20.0993/0

See the product on the website →

Download CAD Files →



TECHN. DATA / ITEMS SUPPLIED

- Aluminium, extruded, anodized E6/EV1
- $I_x = 6.106 \text{ cm}^4$
- $I_y = 1.384 \text{ cm}^4$
- $w_x = 2.71 \text{ cm}^3$
- $w_y = 1.45 \text{ cm}^3$
- $IT = 7.490 \text{ cm}^4$
- Weight = 0.814 kg/m
- Packing unit = 72 m

APPLICATIONS

- Weight-optimized constructions
- Light constructions
- Light sliding windows
- Support plates
- Base plates

ASSEMBLY

- Side 19 with power-lock fastener, **part no.** [21.0818/0](#)
- 45th page with angle mounting bracket, profile connector N or connector