

4

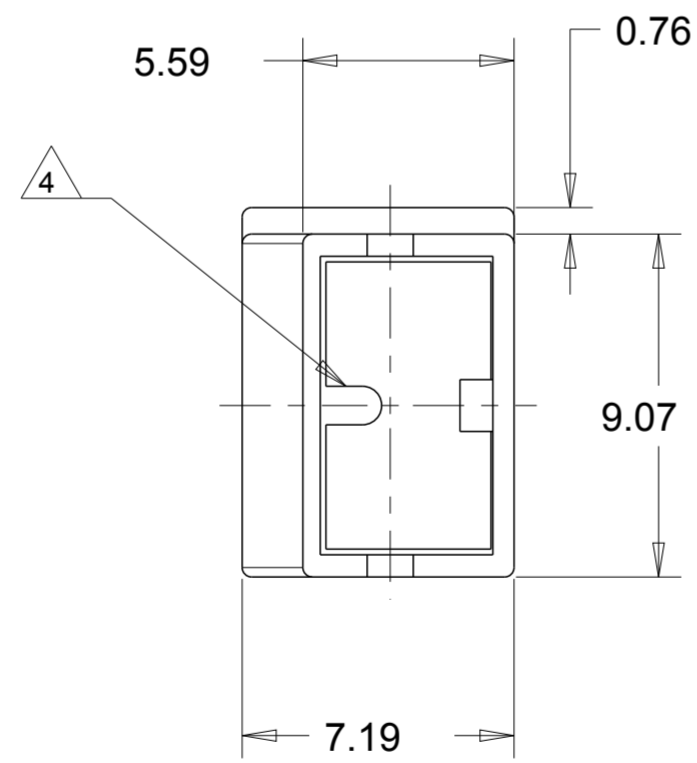
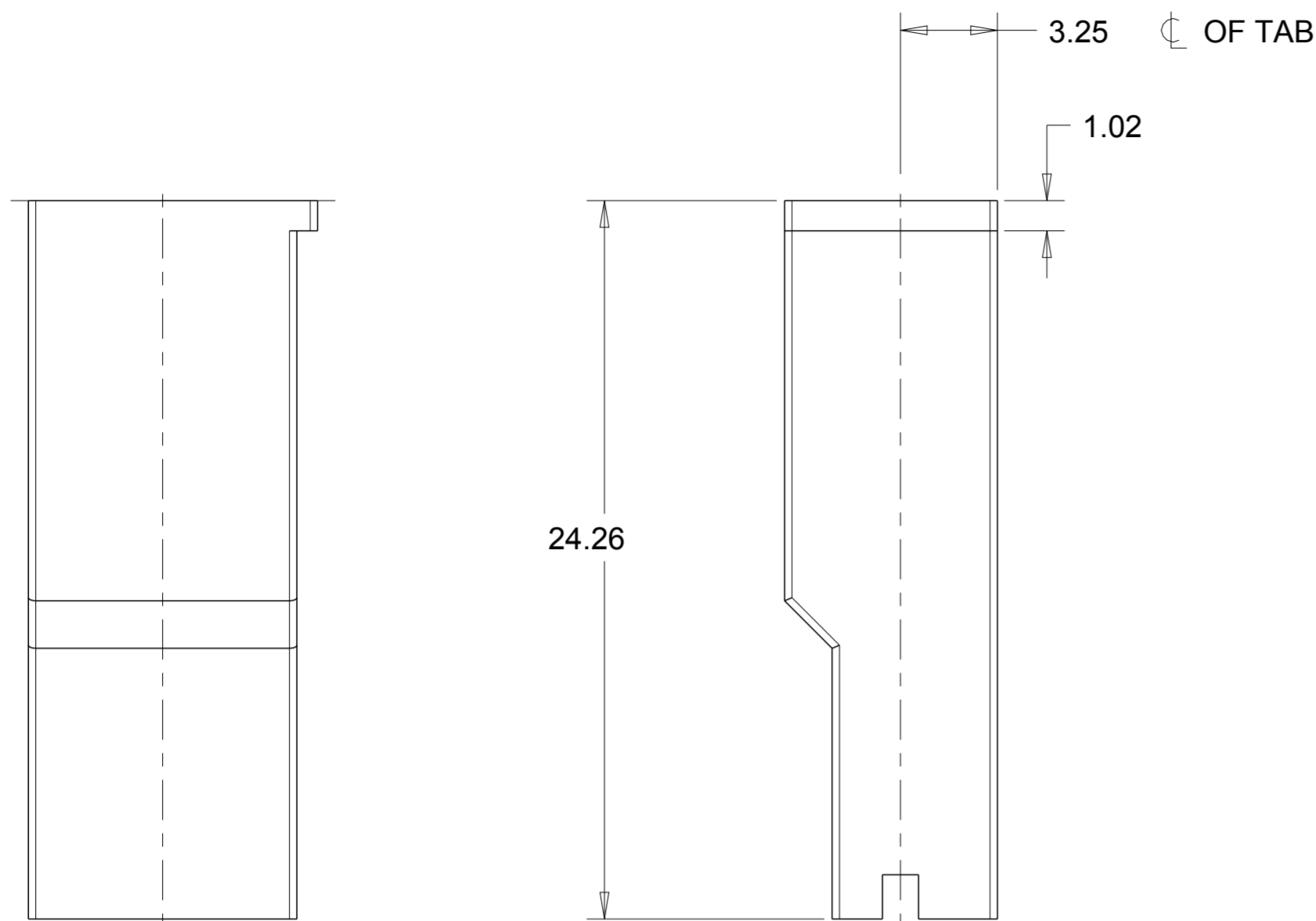
3

2

1

THIS DRAWING IS UNPUBLISHED. RELEASED FOR PUBLICATION 20
 © COPYRIGHT 20 BY TYCO ELECTRONICS CORPORATION. ALL RIGHTS RESERVED.

LOC		DIST		REVISIONS			
P	LTR	DESCRIPTION	DATE	DWN	APVD		
	AV	ECR-10-002350	01/02/10	MJG	JA		



- NOTES:
- 1 PA66 NATURAL MATERIAL ACC TO SPEC IEC 60335-1 GWT 750° WITHOUT FLAME
 - 2 MOISTURISED PRODUCT FOR SMALL WIRE APPLICATIONS
 - 3 ONLY FOR USE WITH POST PLATED OR WASHED CONTACTS
 - 4 RIB MAY EXTEND TO FRONT OF HOUSING

2	8-154719-6	As Drg	UL 94 V0	7-154719-0	Orange
2	8-154719-5	As Drg	UL 94 V2	154719-1	Natural
1	8-154719-4	As Drg	UL 94 V0	POLYAMIDE 6.6 V0	Natural
	8-154719-3	As Drg.	UL 94 V0	Ultramid C3U	Terracotta
2	8-154719-1	As Drg.	UL 94 V2	154719	Black
	8-154719-0	As drg.	UL 94 V0	Maranyl A.417	Clear
	7-154719-0	AE	UL 94 V0	Zytel 7200VOF Nat.NC010 703084-2 or Equivalent	Orange (Ral 2000)
	6-154719-6	AB	UL 94 V2	Polyester PBT 703167	Black
	5-154719-0	AB	UL 94 V0	Noryl (VO 150)	Orange
	4-154719-0	AA	UL 94 V0	Zytel FR 10	(Bk-59 Black)
3	2-154719-0	AA	UL 94 V0	Noryl (VO 150)	Red
	1-154719-1	As Drg.	UL 94 V0	TECHNYL B 50H1	Natural
	1-154719-0	AE	UL 94 V0	Ultramid KR4205	Natural
	154719-9	As Drg.	UL 94 V2	MARANYL or Equivalent	Brown
	154719-6	As Drg.	UL 94 V2	MARANYL or Equivalent	Blue
	154719-5	As Drg.	UL 94 V2	MARANYL or Equivalent	Green
	154719-4	As Drg.	UL 94 V2	MARANYL or Equivalent	Yellow
	154719-2	As Drg.	UL 94 V2	MARANYL or Equivalent	Red
	154719-1	As Drg.	UL 94 V2	MARANYL or Equivalent	Natural
	154719	As. Drg.	UL 94 V2	MARANYL or Equivalent	Black
Notes	Part Number	Part Revision	Flammability Rating	Material	Colour

THIS DRAWING IS A CONTROLLED DOCUMENT FOR TYCO ELECTRONICS CORPORATION. IT IS SUBJECT TO CHANGE AND THE CONTROLLING ENGINEERING ORGANIZATION SHOULD BE CONTACTED FOR THE LATEST REVISION.

DWN	A.J.BEKEN	09MAY2002	Tyco Electronics UK Ltd, Stanmore, Middlesex, HA7 4RS.
CHK	S.CLAPPISON	09MAY2002	
APVD	S.CLAPPISON	09MAY2002	
PRODUCT SPEC	108-3252		
APPLICATION SPEC	114-2153		RESTRICTED TO
MATERIAL	See Table	FINISH	-
WEIGHT	0.5g	SIZE	A2
CUSTOMER DRAWING	SCALE	5:1	SHEET 1 OF 1
			REV AV