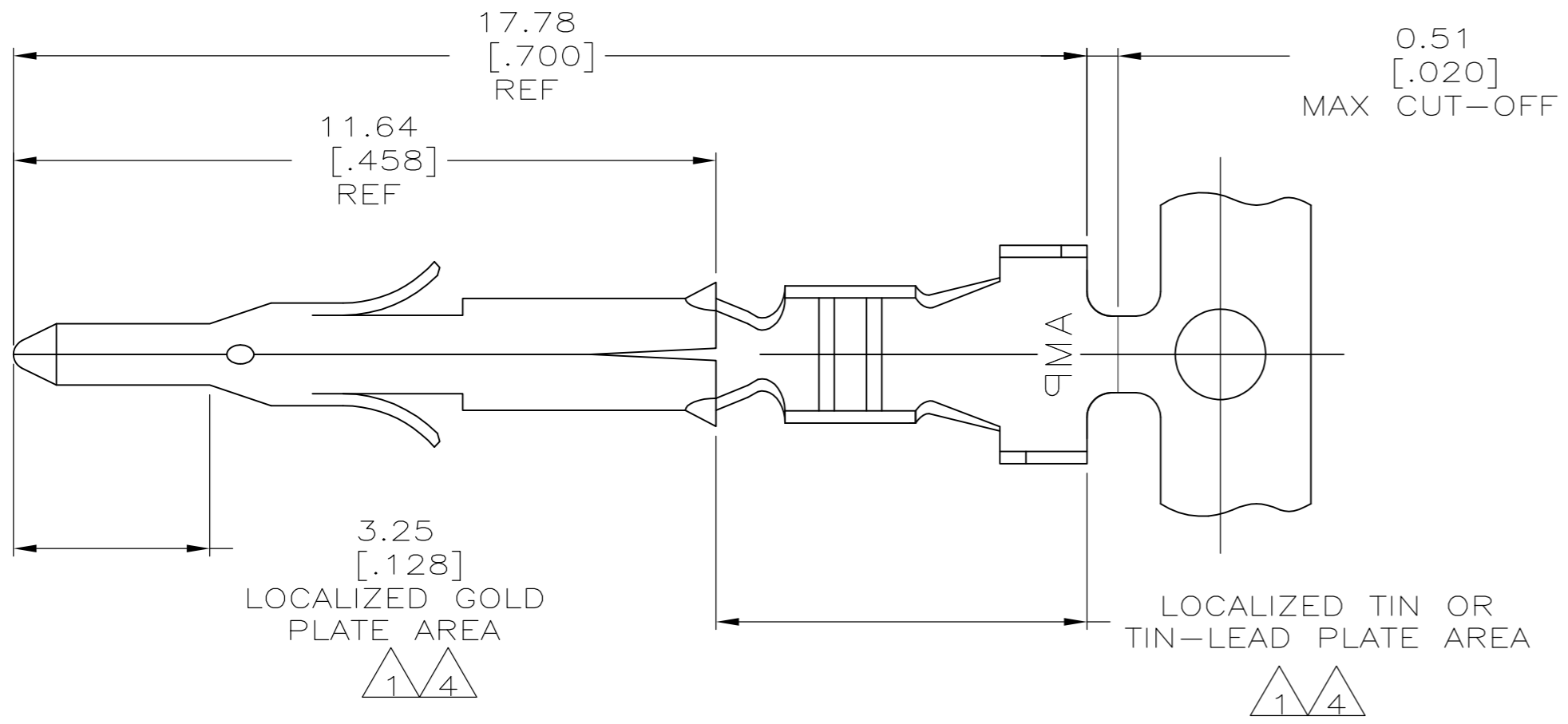


THIS DRAWING IS UNPUBLISHED. RELEASED FOR PUBLICATION
 © COPYRIGHT - By - ALL RIGHTS RESERVED.

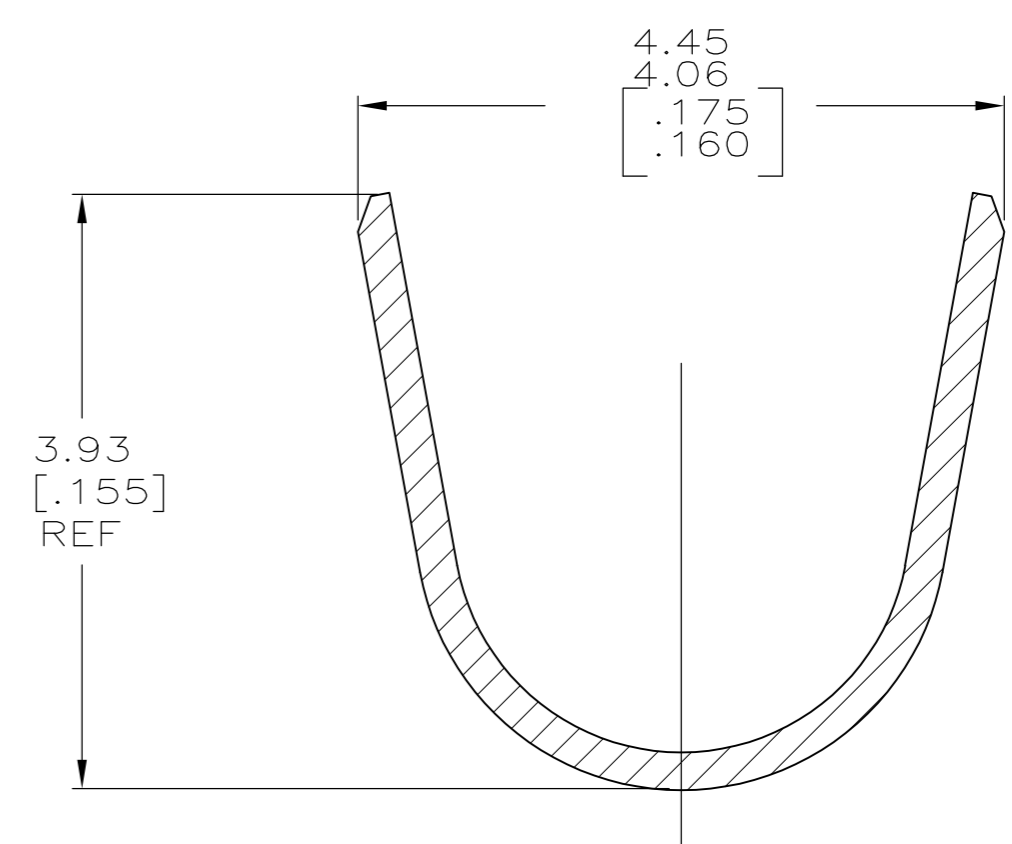
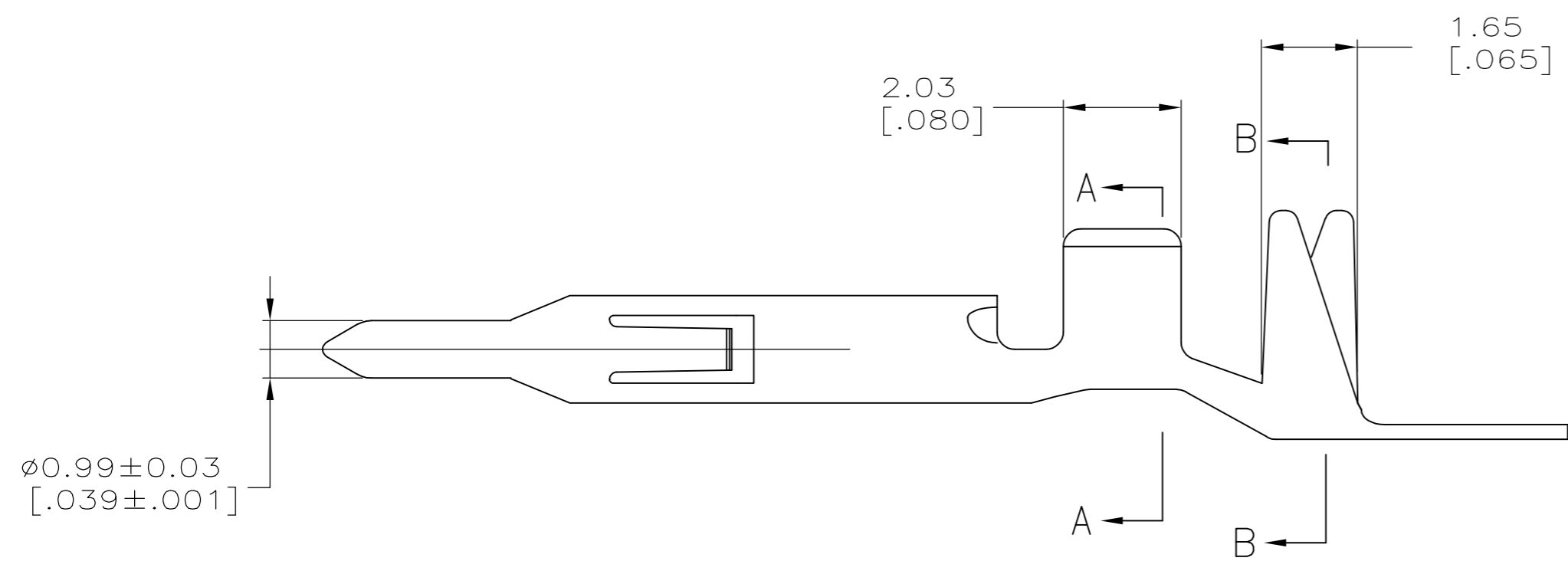
LOC		DIST		REVISIONS			
CM	00	P	LTR	DESCRIPTION	DATE	DWN	APVD
		B1		REVISED PER ECO-11-004820	11MAR11	RK	HMR



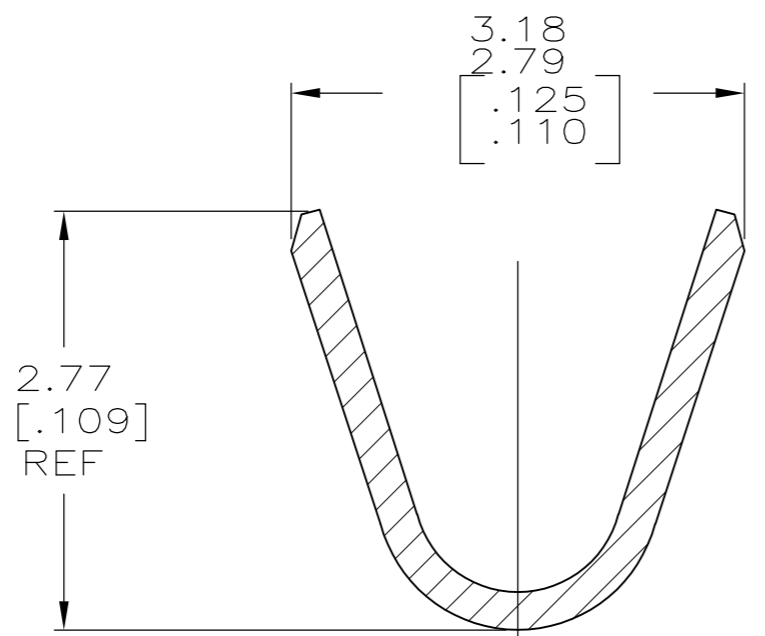
1. 0.00076 [.000030] MIN GOLD PER IN LOCALIZED GOLD PLATE AREA AND 0.00254-0.00635 [.000100-.000250] BRIGHT TIN-LEAD PER IN LOCALIZED TIN-LEAD PLATE AREA OVER 0.00127 [.000050] MIN NICKEL.

2. WIRE RANGE: 0.5-1.4MM² (20-16 AWG).
 3. INSULATION RANGE: 2.01-3.20[.079-.126] DIA.

4. 0.00076 [.000030] MIN GOLD PER IN LOCALIZED GOLD PLATE AREA AND 0.00254-0.00635 [.000100-.000250] MATTE TIN IN LOCALIZED TIN PLATE AREA OVER 0.00127 [.000050] MIN NICKEL.



SECTION B-B
SCALE 20:1



SECTION A-A
SCALE 20:1

4	0.20 [.008] BRASS	1-794406-0
1	0.25 [.010] BRASS	794406-3
PRE-TIN	0.25 [.010] BRASS	794406-1
FINISH	MATERIAL	PART NUMBER

THIS DRAWING IS A CONTROLLED DOCUMENT.		DWN	S. HOOVER	10JAN03	 TE Connectivity							
DIMENSIONS: mm [INCHES]		CHK	C. JONES	10JAN03								
TOLERANCES UNLESS OTHERWISE SPECIFIED:		APVD	C. JONES	10JAN03								
0 PLC ± - 1 PLC ± - 2 PLC ± - 3 PLC ± 0.13[.005] 4 PLC ± - ANGLES ± -		PRODUCT SPEC	NAME									
MATERIAL	FINISH	APPLICATION SPEC	-		SIZE	A2	CAGE CODE	00779	DRAWING NO	C=794406	RESTRICTED TO	-
-		WEIGHT	-		SCALE	10:1	SHEET	1 OF 1	REV	B1	CUSTOMER DRAWING	