



Switches &gt; Slide Switches

Contact Current Rating: **.3 A**Configuration (Pole-Throw): **Four Pole - Three Throw**Contact Base Material: **Copper Alloy**Number of Actuators: **Single**Number of Positions: **3**

## Features

### Configuration Features

|                            |                         |
|----------------------------|-------------------------|
| Terminals Connected        | 1-2, 5-6, 9-10, 13-14   |
| Configuration (Pole-Throw) | Four Pole - Three Throw |
| Number of Actuators        | Single                  |
| Number of Positions        | 3                       |
| Operating Function         | On On On                |

### Electrical Characteristics

|                        |         |
|------------------------|---------|
| Contact Current Rating | .3 A    |
| Operating Voltage      | 125 VAC |

### Body Features

|                   |               |
|-------------------|---------------|
| Actuator Travel   | 2 mm[.079 in] |
| Actuator Material | POM           |
| Actuator Color    | Black         |

### Contact Features

|                                 |              |
|---------------------------------|--------------|
| Contact Base Material           | Copper Alloy |
| Switch Contact Plating Material | Silver       |

### Termination Features

|                                |                       |
|--------------------------------|-----------------------|
| Termination Post & Tail Length | 3 mm[.118 in]         |
| Termination Method to PCB      | Through Hole - Solder |

### Dimensions

|                 |                 |
|-----------------|-----------------|
| Product Width   | 8.4 mm[.331 in] |
| Product Length  | 22 mm[.866 in]  |
| Actuator Length | 4.2 mm[.165 in] |

### Industry Standards

|                        |         |
|------------------------|---------|
| UL Flammability Rating | UL 94HB |
|------------------------|---------|

### Packaging Features

|                  |      |
|------------------|------|
| Packaging Method | Tray |
|------------------|------|

### Other

|       |                 |
|-------|-----------------|
| Grade | Instrumentation |
|-------|-----------------|

## Product Compliance

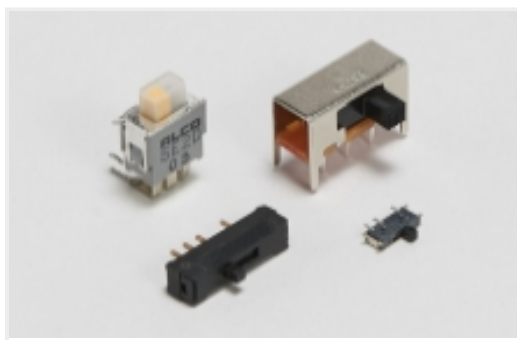
For compliance documentation, visit the product page on [TE.com](https://www.te.com)>

|   |  |
|---|--|
| EU RoHS Directive 2011/65/EU                  | Compliant  |
| EU ELV Directive 2000/53/EC                   | Compliant  |
| China RoHS 2 Directive MIIT Order No 32, 2016 | 有害物质含量符合标准要求 No Restricted Substance(s) Above Threshold  |
| EU REACH Regulation (EC) No. 1907/2006        | Current ECHA Candidate List: JUNE 2025 (250)<br>Candidate List Declared Against: JAN 2023 (233)<br>Does not contain REACH SVHC |
| Halogen Content                               | Low Halogen - Br, Cl, F < 900 ppm per homogenous material. Also BFR/CFR/PVC Free   |
| Solder Process Capability                     | Wave solder capable to 265°C   |

#### Product Compliance Disclaimer

This information is provided based on reasonable inquiry of our suppliers and represents our current actual knowledge based on the information they provided. This information is subject to change. The part numbers that TE has identified as EU RoHS compliant have a maximum concentration of 0.1% by weight in homogenous materials for lead, hexavalent chromium, mercury, PBB, PBDE, DBP, BBP, DEHP, DIBP, and 0.01% for cadmium, or qualify for an exemption to these limits as defined in the Annexes of Directive 2011/65/EU (RoHS2). Finished electrical and electronic equipment products will be CE marked as required by Directive 2011/65/EU. Components may not be CE marked. Additionally, the part numbers that TE has identified as EU ELV compliant have a maximum concentration of 0.1% by weight in homogenous materials for lead, hexavalent chromium, and mercury, and 0.01% for cadmium, or qualify for an exemption to these limits as defined in the Annexes of Directive 2000/53/EC (ELV). Regarding the REACH Regulation, the information TE provides on SVHC in articles for this part number is based on the latest European Chemicals Agency (ECHA) 'Guidance on requirements for substances in articles' posted at this URL: <https://echa.europa.eu/guidance-documents/guidance-on-reach>

Also in the Series | [ALCOSWITCH MSS](#)



Slide Switches(15)

## Customers Also Bought



TE Part #CAT-D48-ST273  
DEUTSCH Connector Solid Contacts



TE Part #CAT-D487-W416  
Wedgelocks: DEUTSCH DT



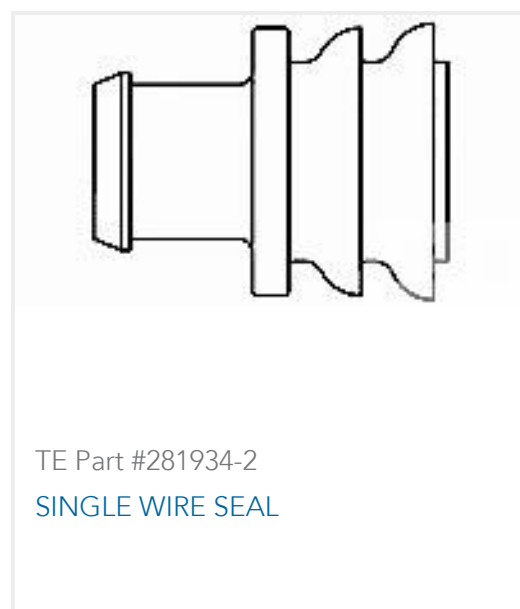
TE Part #DT04-2P  
REC, 2P, GRY, N



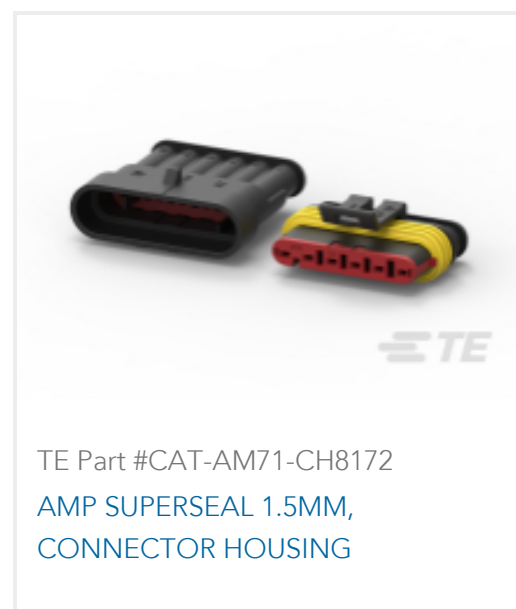
TE Part #DT06-2S  
PLG, 2P, GRY, N



TE Part #206070-8  
CABLE CLAMP KIT #17



TE Part #281934-2  
SINGLE WIRE SEAL



TE Part #CAT-AM71-CH8172  
AMP SUPERSEAL 1.5MM,  
CONNECTOR HOUSING

## Documents

### Product Drawings

[MSS4300R04=4P3T SL SW R/A AG](#)

English

### Datasheets & Catalog Pages

[SWITCHES\\_CORE\\_PROGRAM\\_CATALOG](#)

English